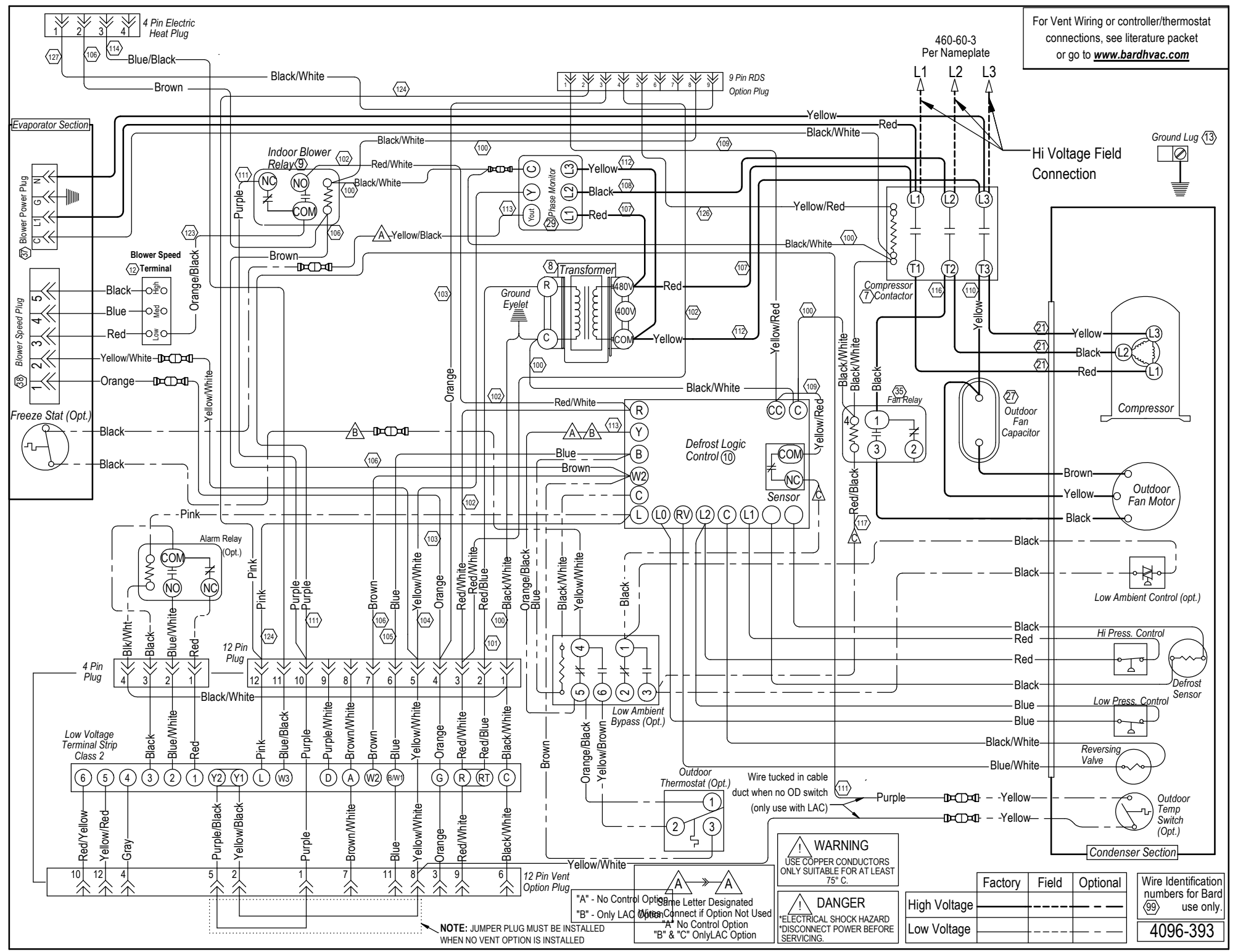


For Vent Wiring or controller/thermostat connections, see literature packet or go to www.bardhvac.com



"A" - No Control Option
 "B" - Only LAC Option
 "C" - Only LAC Option
 "A" - No Control Option
 "B" & "C" Only LAC Option

WARNING
 USE COPPER CONDUCTORS
 ONLY SUITABLE FOR AT LEAST
 75° C.

DANGER
 ELECTRICAL SHOCK HAZARD
 DISCONNECT POWER BEFORE
 SERVICING.

High Voltage	Factory	Field	Optional
Low Voltage			

Wire Identification numbers for Bard (99) use only.
4096-393