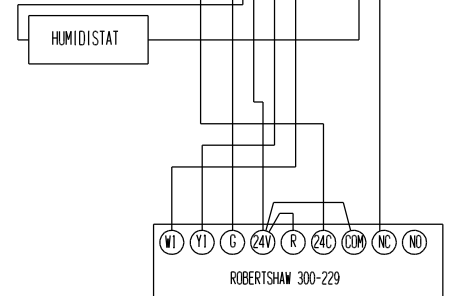
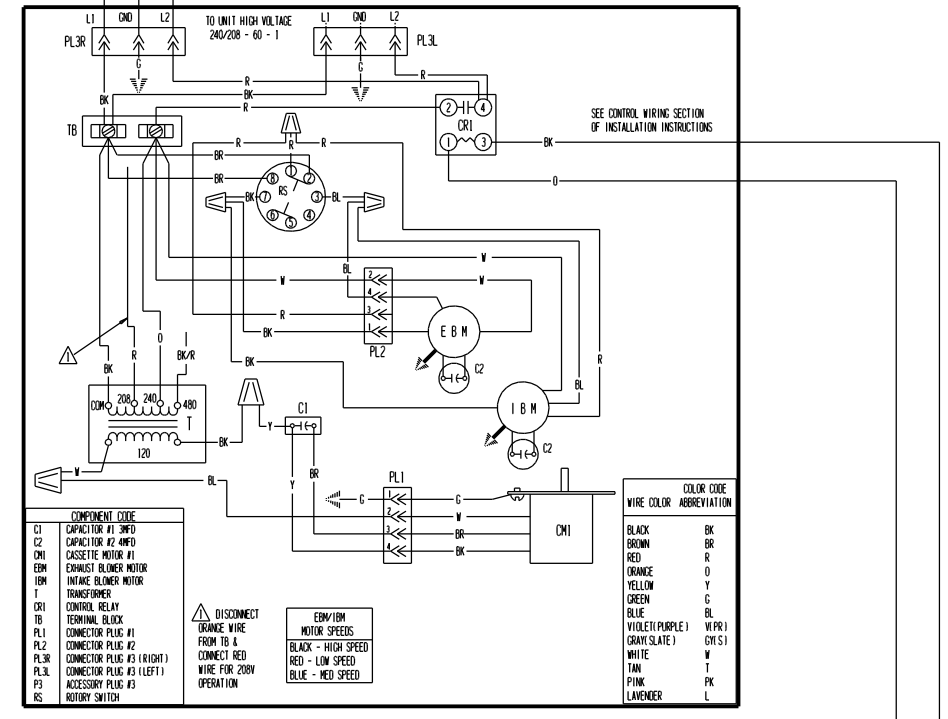


USE COPPER CONDUCTORS  
ONLY SUITABLE FOR  
AT LEAST 75° C



COMPONENT CODE	
CB1	CIRCUIT BREAKER #1
CB2	CIRCUIT BREAKER #2
CC	COMPRESSOR CONTACTOR
CC#	COMPRESSOR CRANKCASE HEATER
COMP	COMPRESSOR
CR1	CONTROL RELAY 1
CR2	CONTROL RELAY 2
DCC	DUAL CAN CAPACITOR
GND	EQUIPMENT GROUND
H1	HEAT STRIP #1
H2	HEAT STRIP #2
HC1	HEATER CONTACTOR #1
HC2	HEATER CONTACTOR #2
HPC	HIGH PRESSURE CONTROL
IBC	INDOOR BLOWER CAPACITOR
IBM	INDOOR BLOWER MOTOR
IBR	INDOOR BLOWER RELAY
LAC	LOW AMBIENT CONTROL
LS	LIMIT SWITCH
OFM	OUTDOOR FAN MOTOR
PL1	PLUG #1
SV	SOLENOID VALVE
SK	START KIT
T	TRANSFORMER
TB	TERMINAL BLOCK
TBL	LOW VOLTAGE TERMINAL BLOCK
TCD	THERMAL CUTOFF
TDR	TIME DELAY RELAY

COMPONENT CODE	
C1	CAPACITOR #1 2MFD
C2	CAPACITOR #2 4MFD
CR1	CASSETTE MOTOR #1
EBM	EXHAUST BLOWER MOTOR
IBM	INDOOR BLOWER MOTOR
T	TRANSFORMER
CR1	CONTROL RELAY
TB	TERMINAL BLOCK
PL1	CONNECTOR PLUG #1
PL2	CONNECTOR PLUG #2
PL3R	CONNECTOR PLUG #3 (RIGHT)
PL3L	CONNECTOR PLUG #3 (LEFT)
P3	ACCESSORY PLUG #3
RS	ROTARY SWITCH

COLOR CODE	
WIRE COLOR	ABBREVIATION
BLACK	BK
BROWN	BR
RED	R
ORANGE	O
YELLOW	Y
GREEN	G
BLUE	BL
VIOLET/PURPLE	V (PR)
GRAY/SLATE	GY (S)
WHITE	W
TAN	T
PINK	PK
LAVENDER	L

DISCONNECT FROM TB & CONNECT RED WIRE FOR 208V OPERATION

DISCONNECT FROM TB & CONNECT RED WIRE FOR 208V OPERATION

MOVE RED WIRE TO 208V TAP FOR 208V OPERATION

LABELED WIRES CONNECT IF NO OPTIONS USED.

MOVE RED WIRE TO 208V TAP FOR 208V OPERATION

RED (LOW) BLACK (HIGH) WERE APPLICABLE

FACTORY STD.		FIELD		OPTIONAL		COLOR CODE												
HIGH VOLTAGE	LOW VOLTAGE	HIGH VOLTAGE	LOW VOLTAGE	HIGH VOLTAGE	LOW VOLTAGE	BK	BR	R	O	Y	G	BL	W	V (PR)	GY (S)	T	PK	L
---	---	---	---	---	---	BLACK	BROWN	RED	ORANGE	YELLOW	GREEN	BLUE	WHITE	VIOLET/PURPLE	GRAY/SLATE	TAN	PINK	LAVENDER

**BARD MFG. CO.**  
4096-801