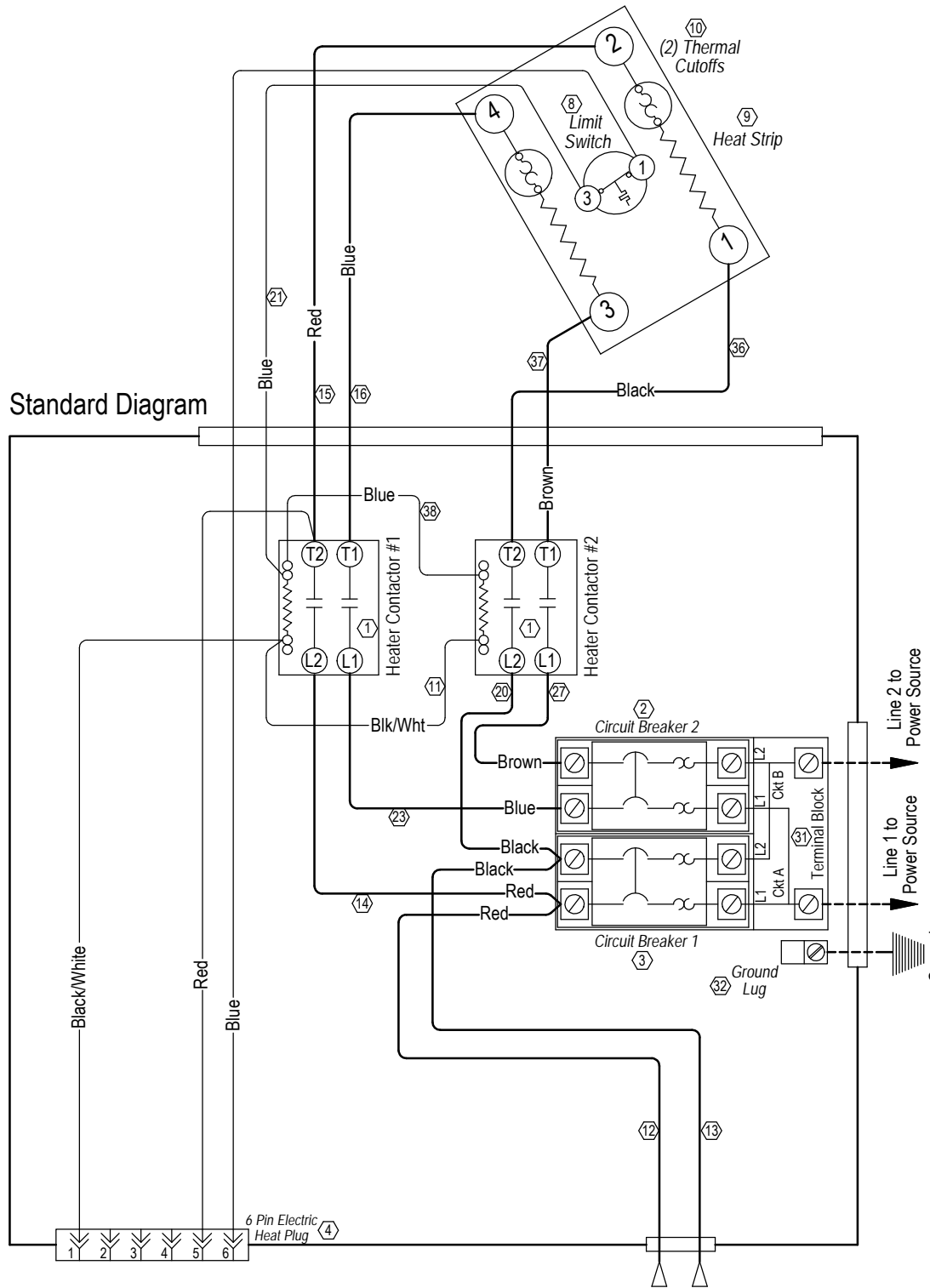


Standard Diagram



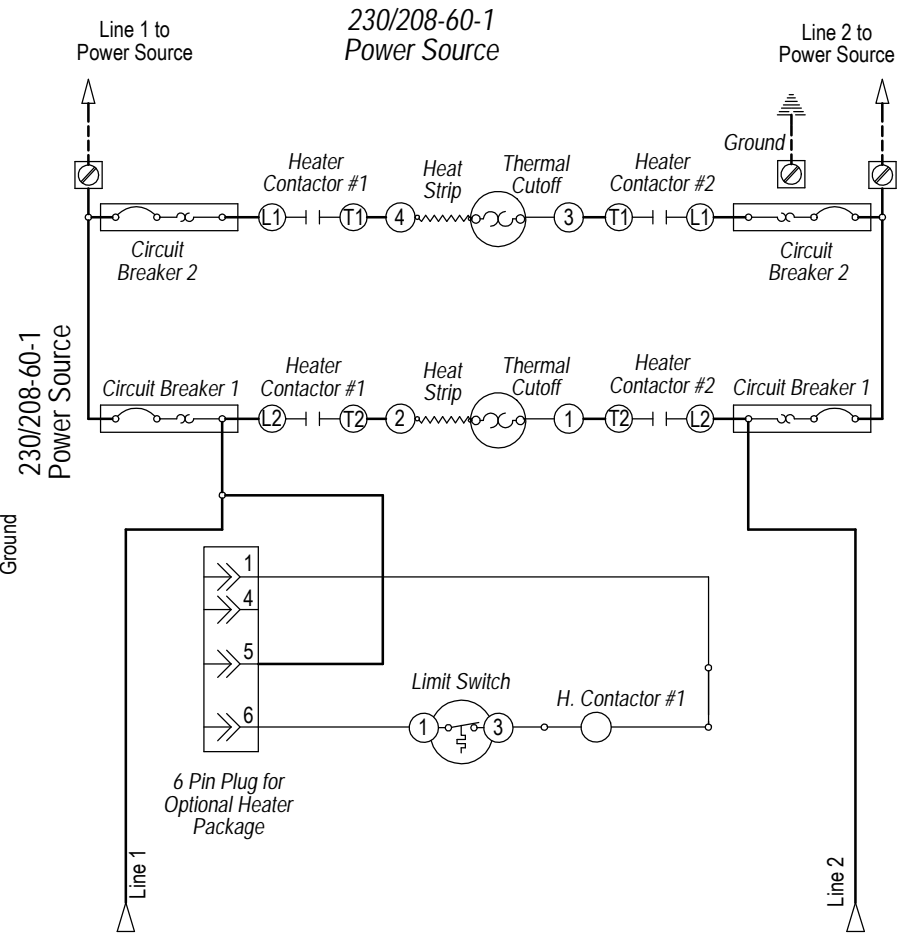
WARNING
USE COPPER CONDUCTORS
ONLY SUITABLE FOR AT LEAST
75° C.

DANGER
*ELECTRICAL SHOCK HAZARD
*DISCONNECT POWER BEFORE
SERVICING.

4097-1001

Heater Package
Assembly

Ladder Diagram



6 Pin Plug for
Optional Heater
Package