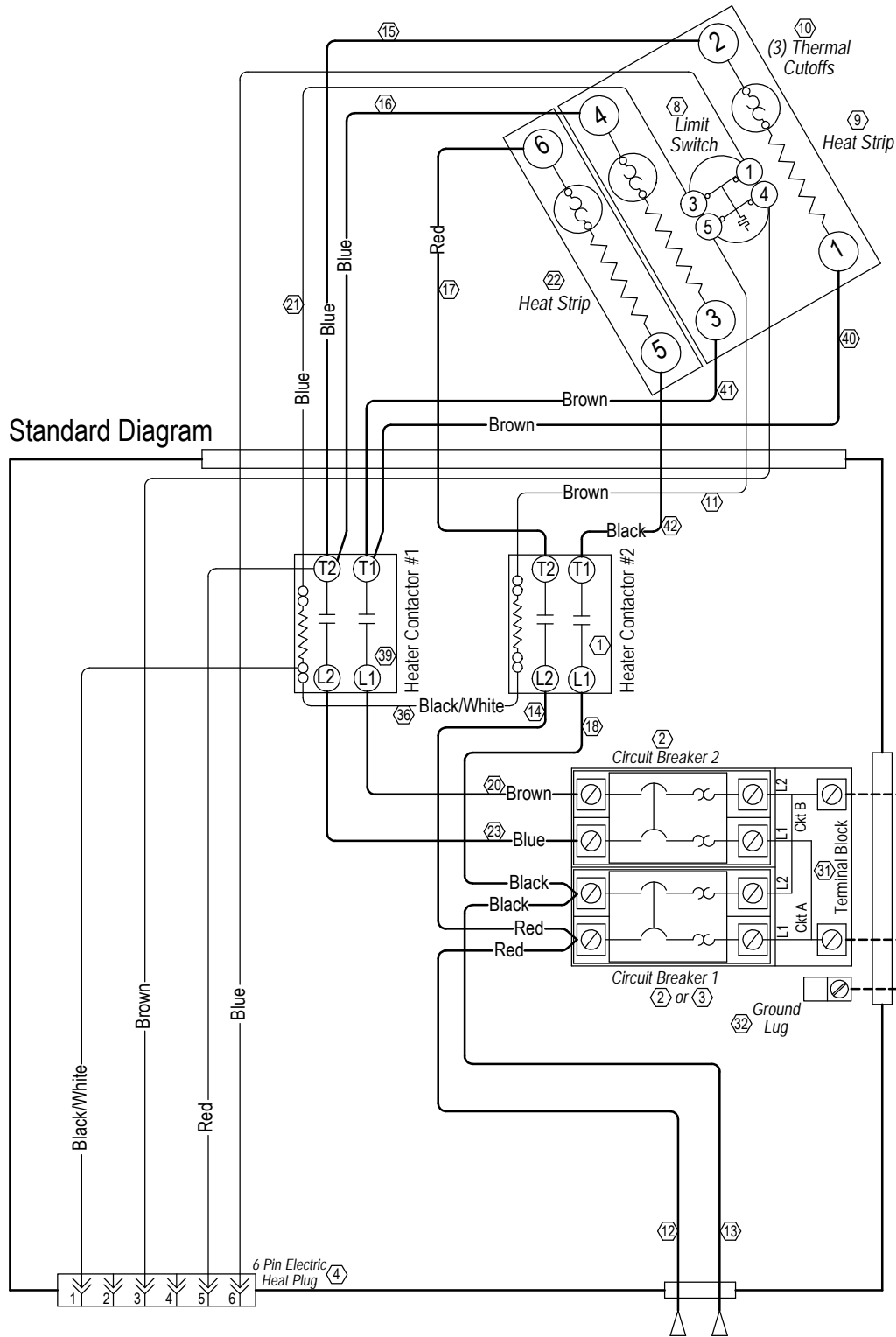


Standard Diagram



**WARNING**  
 USE COPPER CONDUCTORS  
 ONLY SUITABLE FOR AT LEAST  
 75° C.

**DANGER**  
 \*ELECTRICAL SHOCK HAZARD  
 \*DISCONNECT POWER BEFORE  
 SERVICING.

4097-1002  
 Heater Package  
 Assembly

Ladder Diagram

