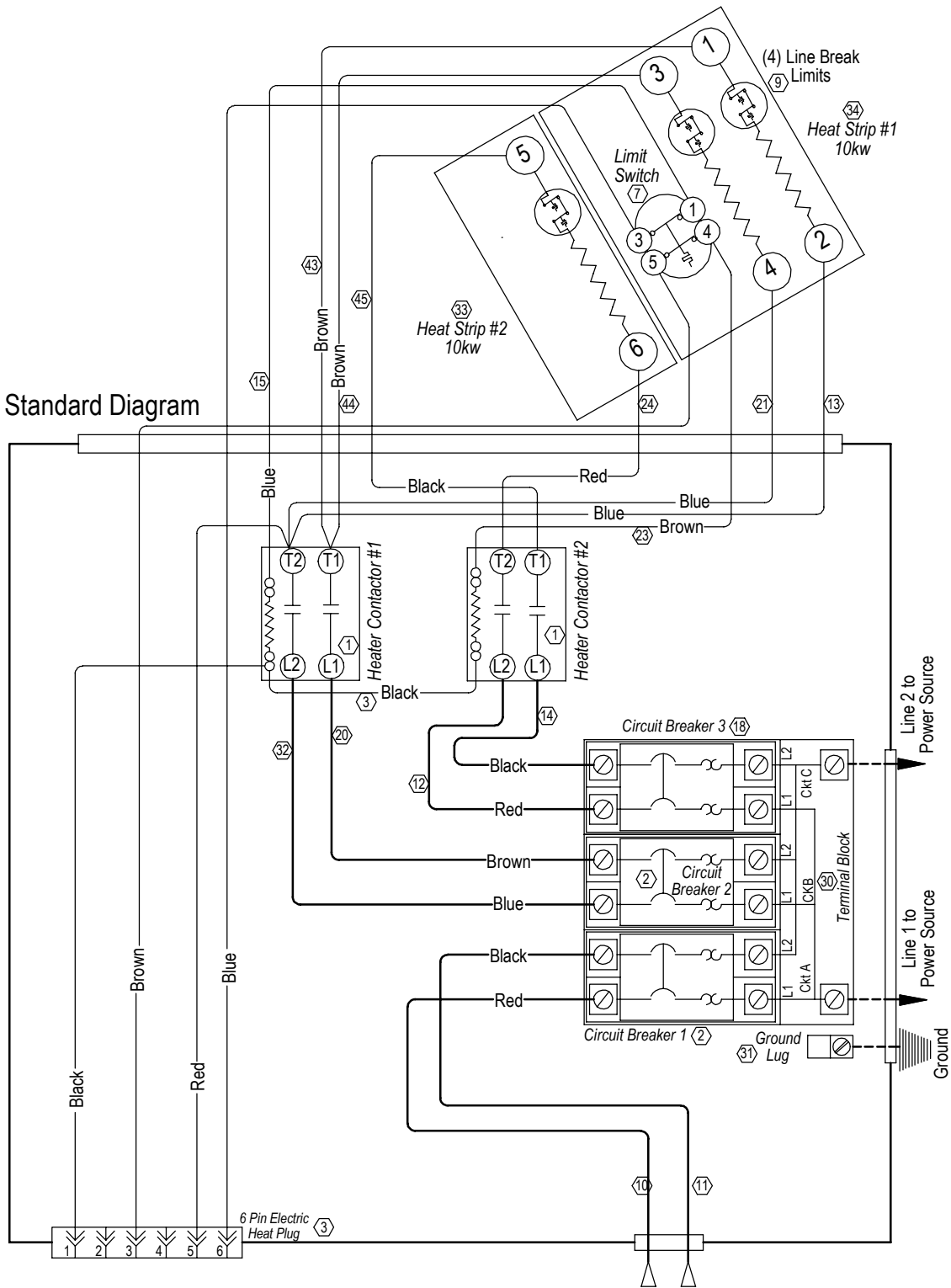


Standard Diagram



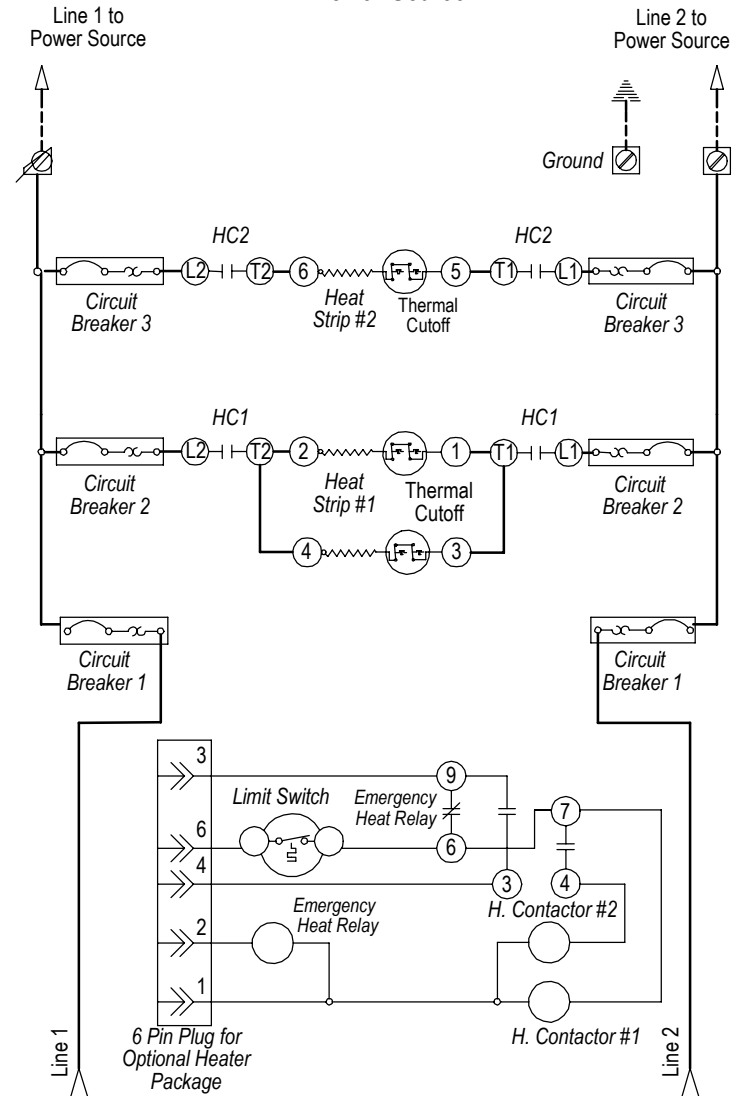
WARNING
USE COPPER CONDUCTORS
ONLY SUITABLE FOR AT LEAST
75° C.

DANGER
*ELECTRICAL SHOCK HAZARD
*DISCONNECT POWER BEFORE
SERVICING.

4097-1007
*Heater Package
Assembly*

Ladder Diagram

230/208-60-1
Power Source



208/230-60-1
Power Source