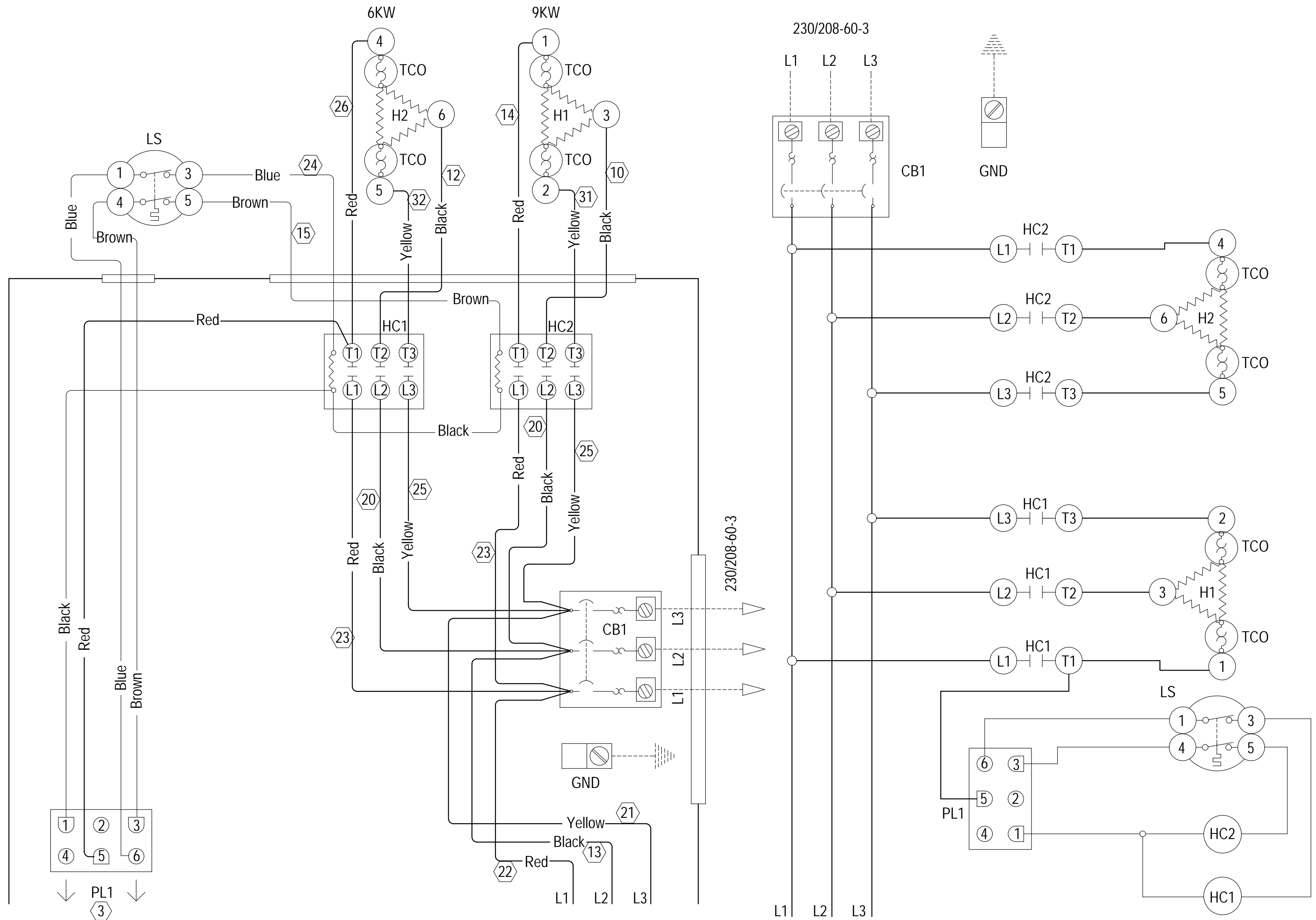


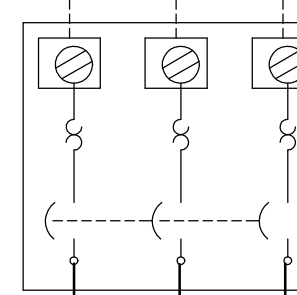
WARNING
USE COPPER CONDUCTORS
ONLY SUITABLE FOR AT LEAST
75° C.

DANGER
ELECTRICAL SHOCK HAZARD
DISCONNECT POWER BEFORE
SERVICING.



230/208-60-3

L1 L2 L3



CB1



GND

HC2

HC2

HC2

HC1

HC1

HC1

LS

PL1

L1 L2 L3