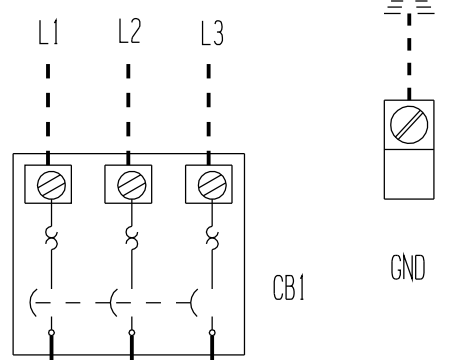


PART # 4097-220 E

USE COPPER CONDUCTORS
ONLY SUITABLE FOR
AT LEAST 75° C

230/208-60-3
220/200-50-3
PER NAMEPLATE



230/208-60-3
220/200-50-3
PER NAMEPLATE

