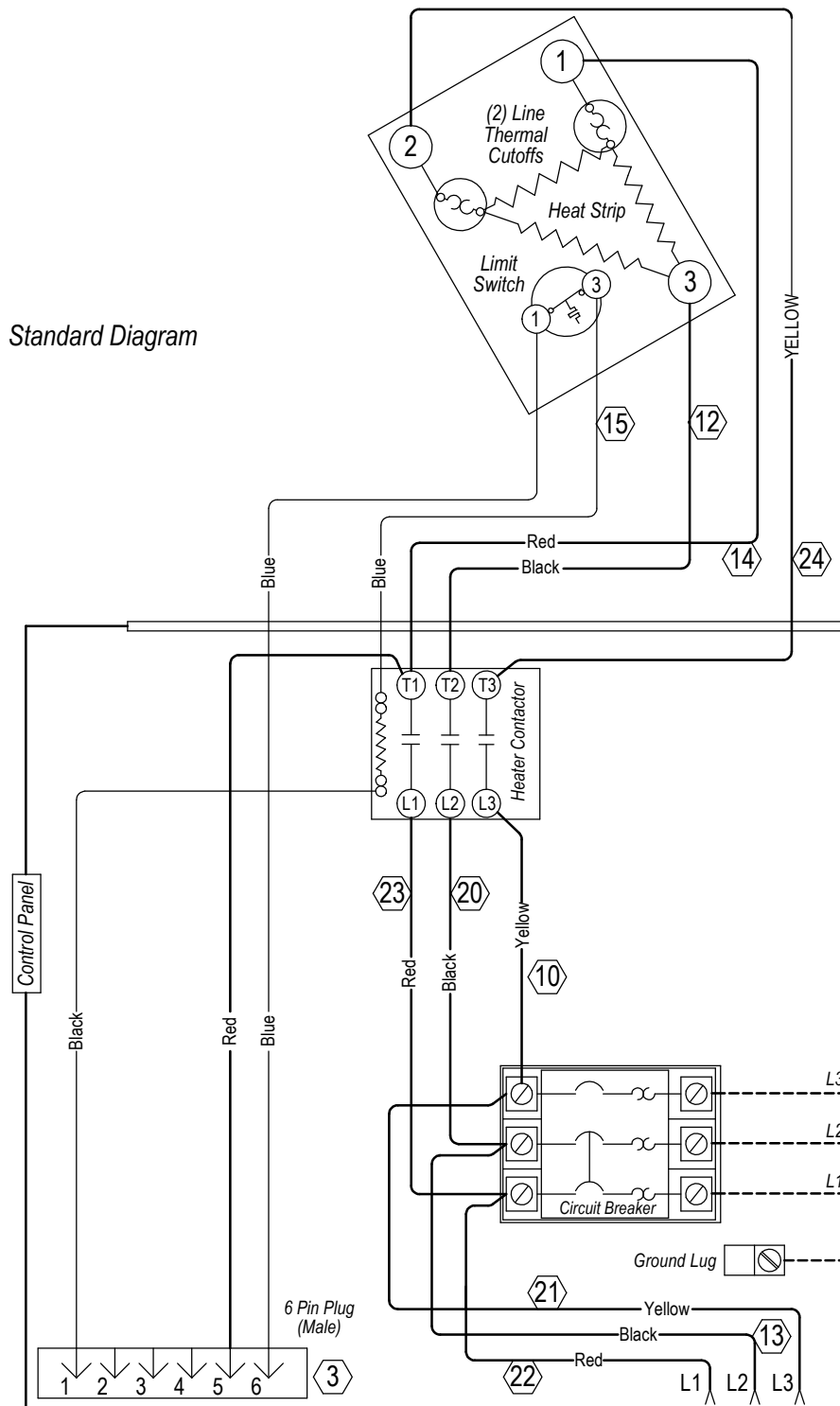


WARNING
USE COPPER CONDUCTORS
ONLY SUITABLE FOR AT LEAST
75° C.

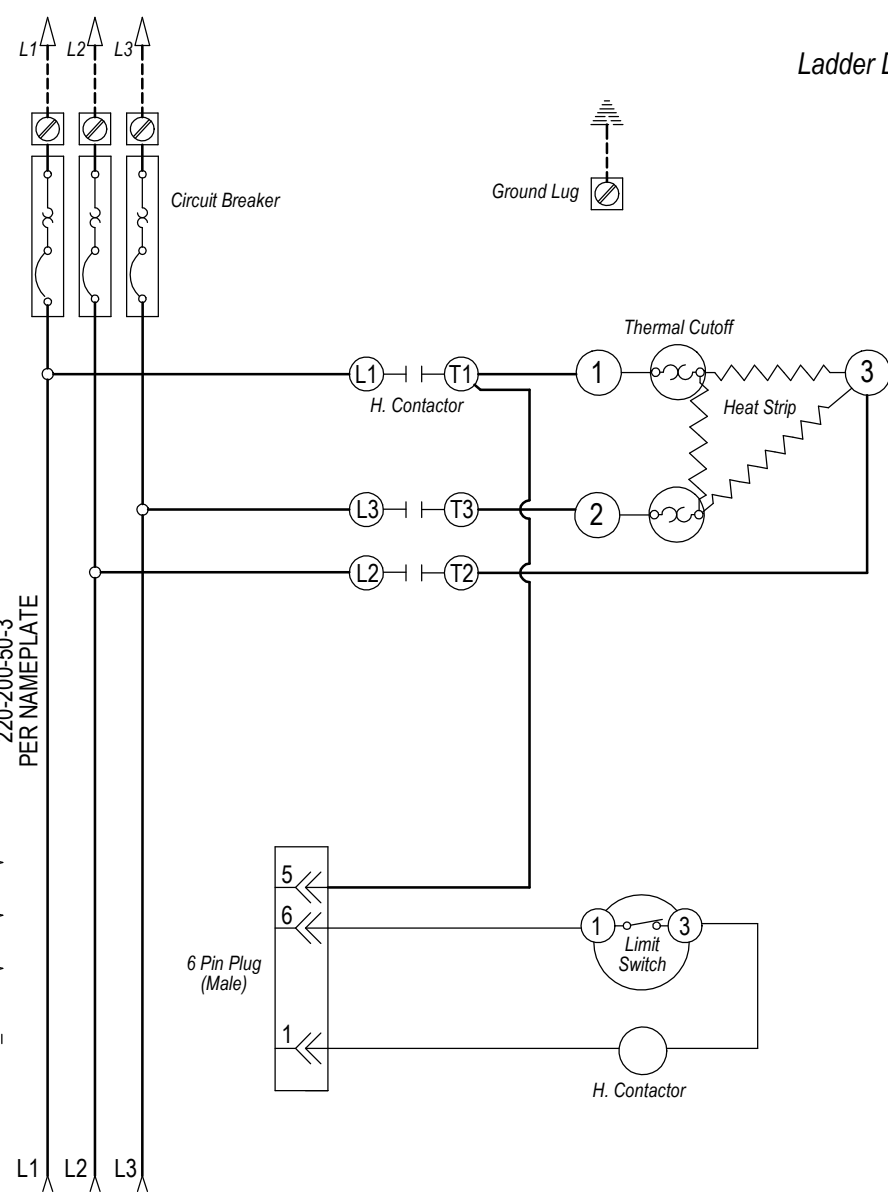
DANGER
ELECTRICAL SHOCK HAZARD
DISCONNECT POWER BEFORE
SERVICING.

Standard Diagram

Ladder Diagram



230/208-60-3
220/200-50-3
PER NAMEPLATE



230/208-60-3
220-200-50-3
PER NAMEPLATE