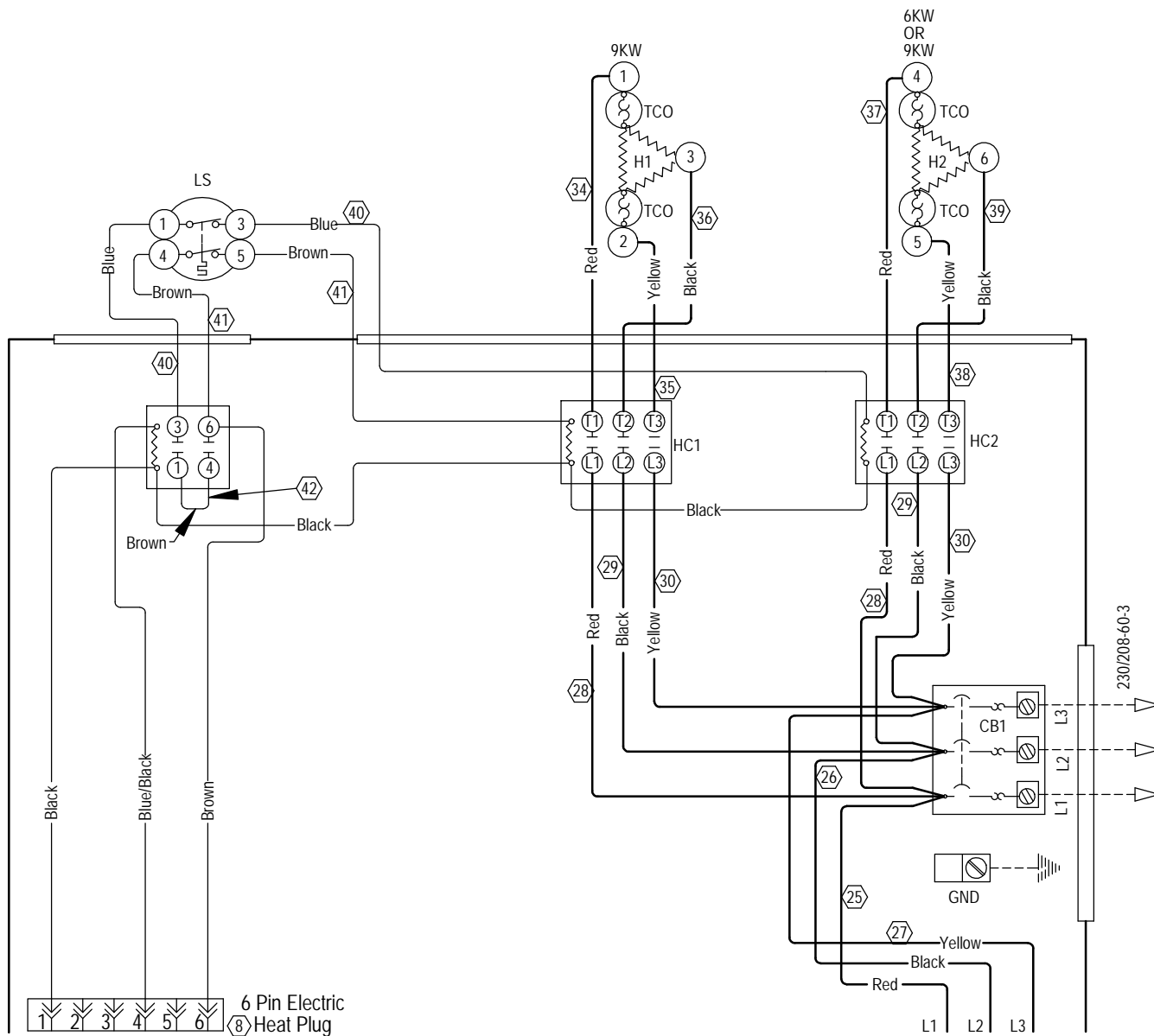


**WARNING**  
USE COPPER CONDUCTORS  
ONLY SUITABLE FOR AT LEAST  
75° C.

**DANGER**  
ELECTRICAL SHOCK HAZARD  
DISCONNECT POWER BEFORE  
SERVICING.



**WARNING**  
USE COPPER CONDUCTORS  
ONLY SUITABLE FOR AT LEAST  
75° C.

**DANGER**  
ELECTRICAL SHOCK HAZARD  
DISCONNECT POWER BEFORE  
SERVICING.

