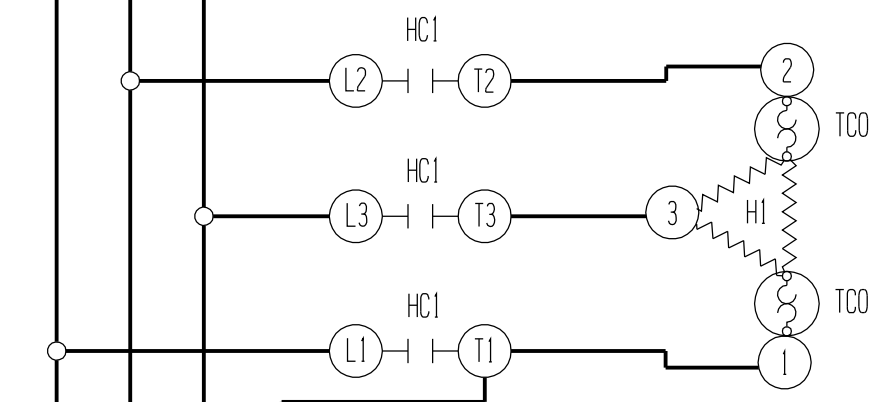
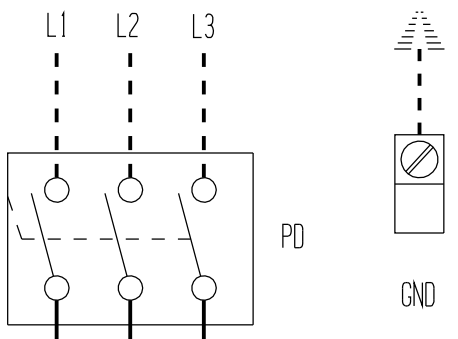


PART # 4097-320 B

USE COPPER CONDUCTORS
ONLY SUITABLE FOR
AT LEAST 75° C

460-60-3
415-50-3
PER NAMEPLATE



460-60-3
415-50-3
PER NAMEPLATE

