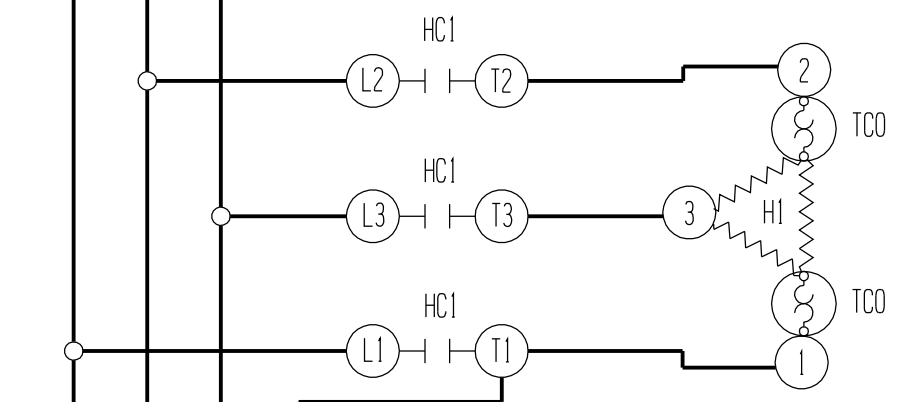
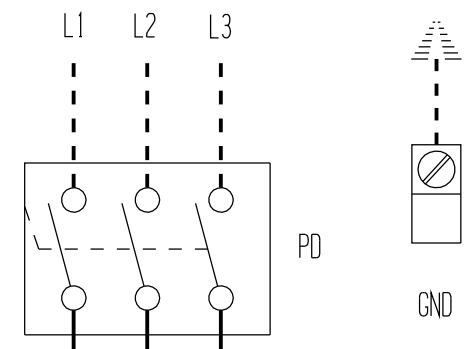


PART # 4097-321 A
 USE COPPER CONDUCTORS
 ONLY SUITABLE FOR
 AT LEAST 75° C

460-60-3
 415-50-3
 PER NAMEPLATE



460-60-3
 415-50-3
 PER NAMEPLATE

