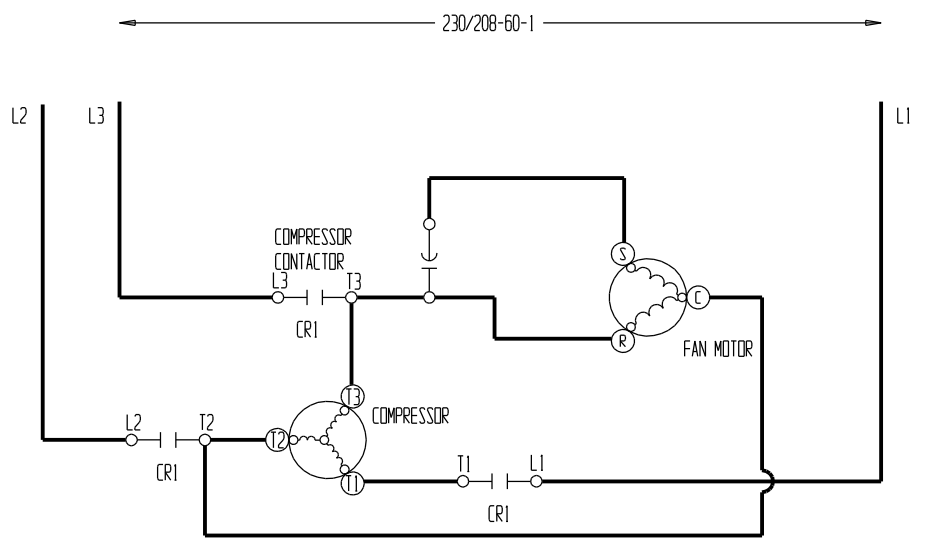
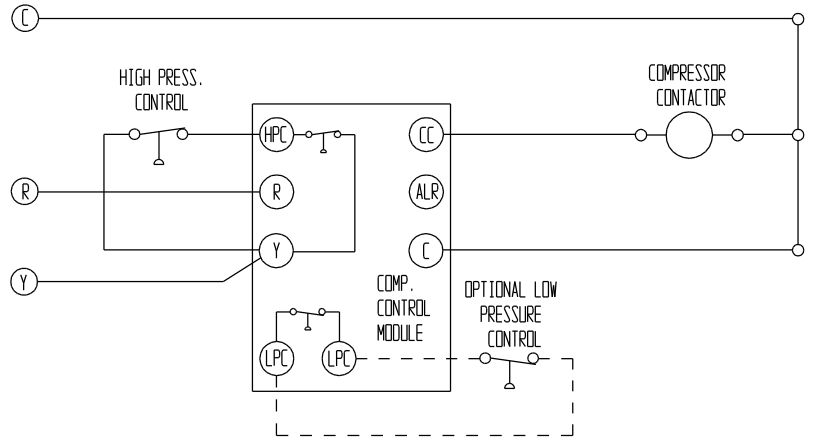


COLOR CODE	
WIRE COLOR	ABBREVIATION
BLACK	BK
BROWN	BR
RED	R
ORANGE	O
YELLOW	Y
GREEN	G
BLUE	BL
VIOLET (PURPLE)	V (PR)
GRAY (SLATE)	GY (S)
WHITE	W
TAN	T
PINK	PK
LAVENDER	L



HIGH VOLTAGE CIRCUIT

LOW VOLTAGE CIRCUIT



24 VOLTS FOR LOW VOLTAGE CONTROL CIRCUIT SUPPLIED BY INDOOR UNIT TRANSFORMER

USE MINIMUM TRANSFORMER RATING OF 30 VA

FIELD WIRING (dashed line)

FACTORY WIRING (solid line)

USE COPPER CONDUCTORS SUITABLE FOR AT LEAST 75°C ONLY

FUSED DISCONNECT SWITCH

230/208-60-3

Wire Identification numbers for Bard use only.