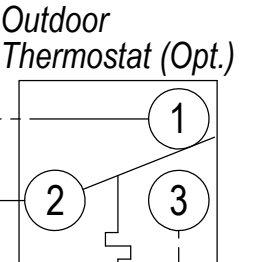
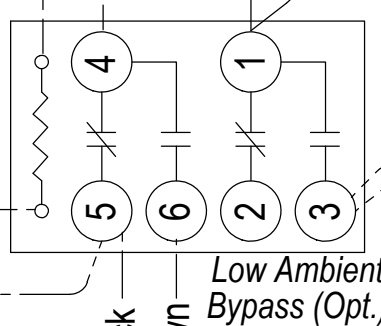
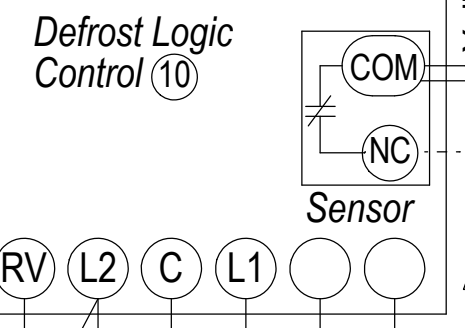
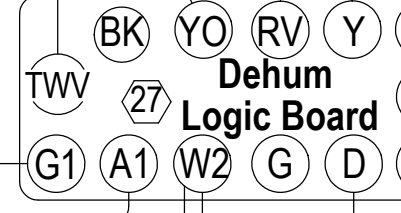


For Vent Wiring or controller/thermostat connections, see literature packet or go to www.bardhvac.com

Hi Voltage Field Connections 230/208-60-1 Per Nameplate

Ground Lug (11)
R Vent option only



WARNING
USE COPPER CONDUCTORS ONLY SUITABLE FOR AT LEAST 75° C.

DANGER
*ELECTRICAL SHOCK HAZARD
*DISCONNECT POWER BEFORE SERVICING.

A → **A**
Same Letter Designated Wires Connect if Option Not Used
"A" & "C" No Control Option
"B" Only Freeze Stat & No ODT

NOTE: JUMPER PLUG MUST BE INSTALLED WHEN NO VENT OPTION IS INSTALLED

	Factory	Field	Optional
High Voltage			
Low Voltage			

Wire Identification numbers for Bard use only.
4100-132