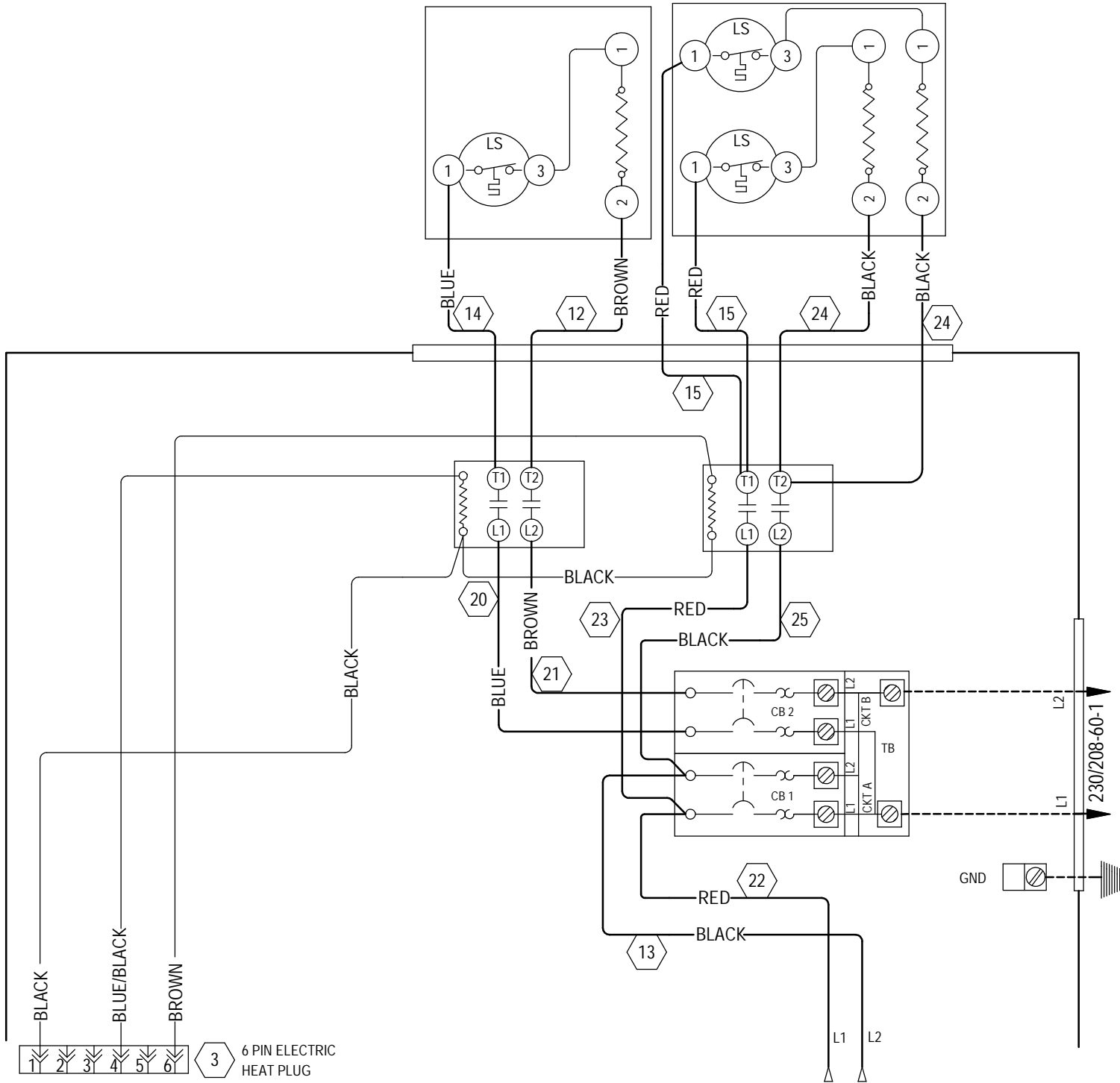


**WARNING**  
 USE COPPER CONDUCTORS  
 ONLY SUITABLE FOR AT LEAST  
 75° C.

**DANGER**  
 \*ELECTRICAL SHOCK HAZARD  
 \*DISCONNECT POWER BEFORE  
 SERVICING.



3 6 PIN ELECTRIC  
 HEAT PLUG