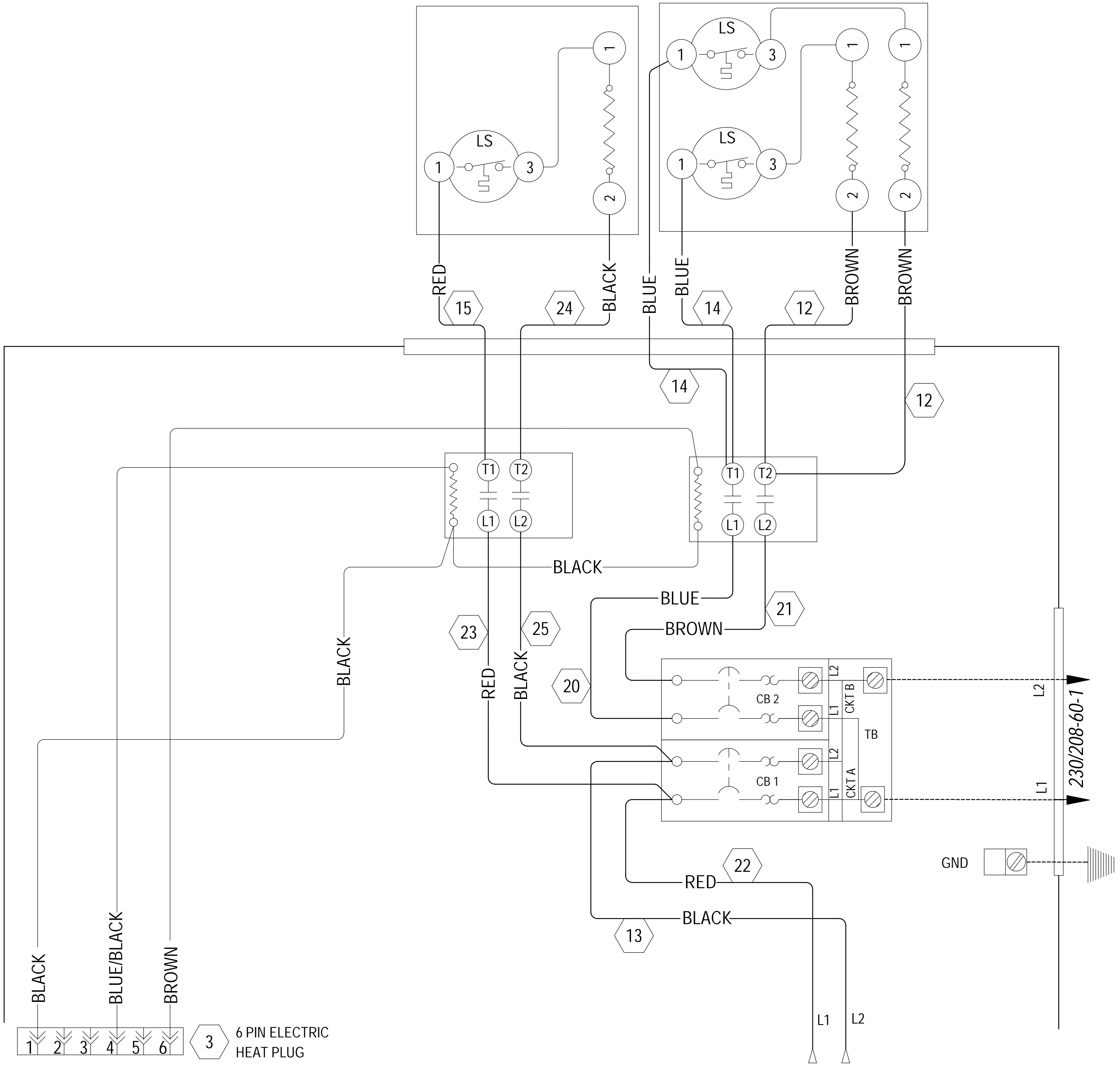


WARNING
USE COPPER CONDUCTORS
ONLY SUITABLE FOR AT LEAST
75° C.

DANGER
*ELECTRICAL SHOCK HAZARD
*DISCONNECT POWER BEFORE
SERVICING.



1 BLACK 2 BLUE/BLACK 3 BROWN 4 5 6 3 6 PIN ELECTRIC HEAT PLUG