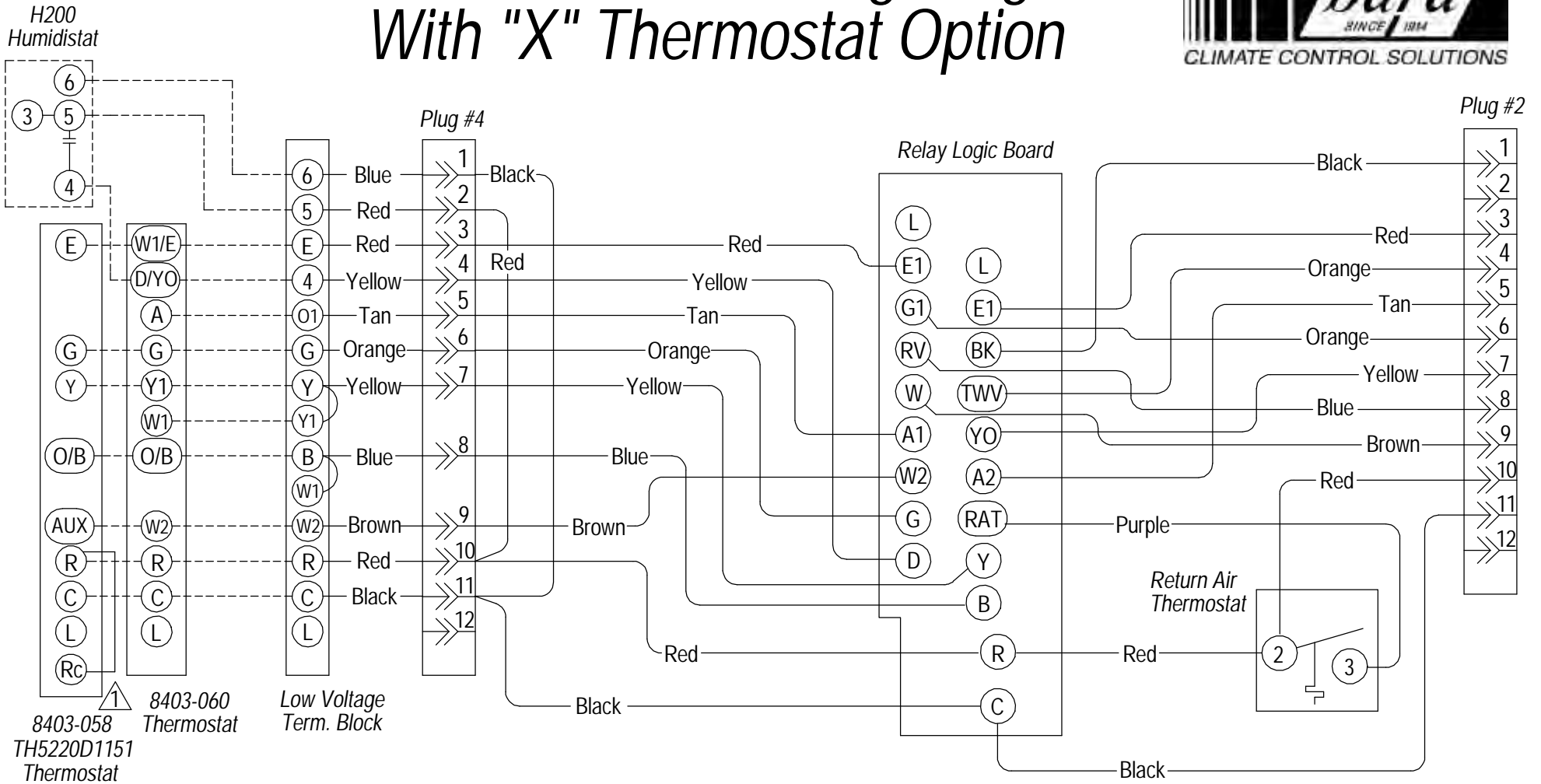


Dehumidification Wiring Diagram With "X" Thermostat Option



4102-036 B

FACTORY INSTALLED JUMPER