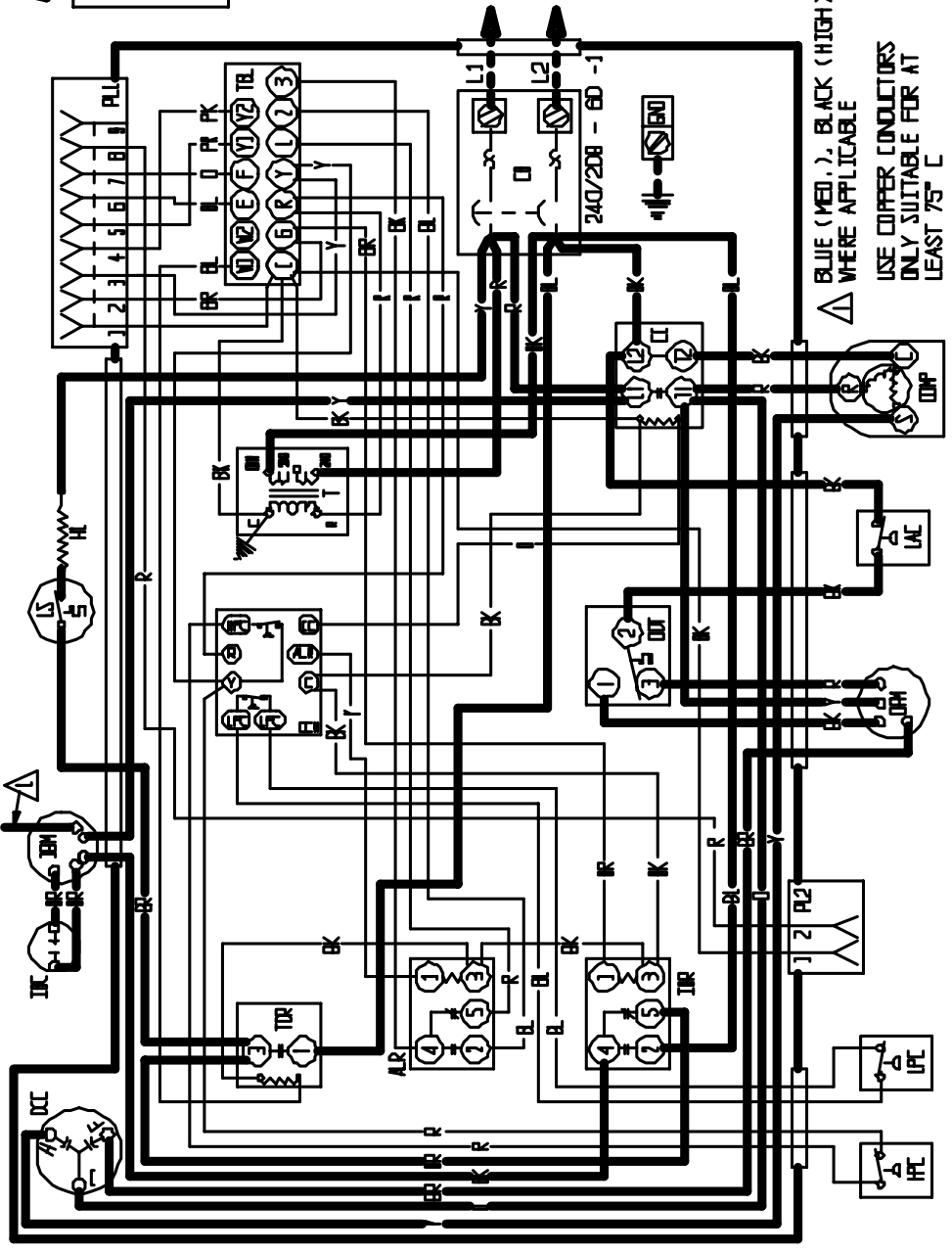
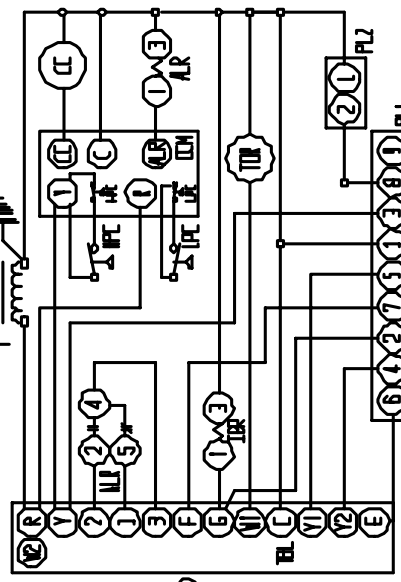
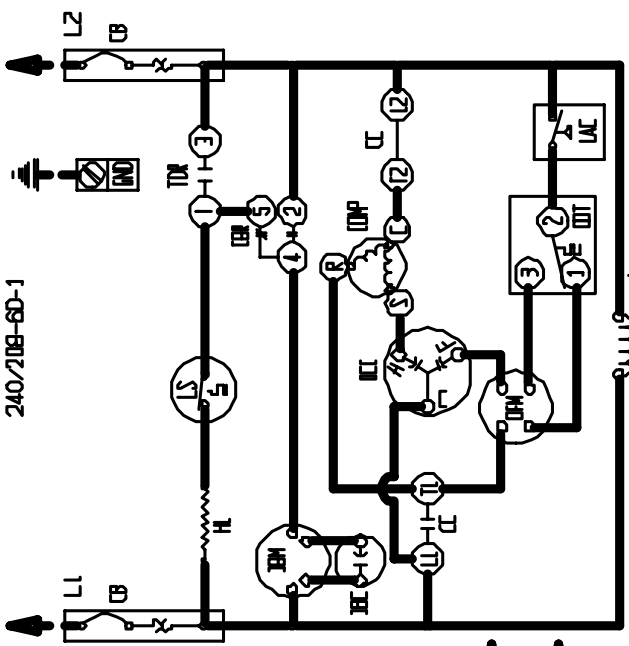


240/208-60-1



BLUE (MED.), BLACK (HIGH)  
WHERE APPLICABLE  
USE COPPER CONDUCTORS  
ONLY SUITABLE FOR AT  
LEAST 75°C

USE CLASS 1 WIRING  
FOR ALL CONNECTIONS  
TO THE LOW VOLTAGE  
TERMINAL BLOCK

COMPONENT CODE

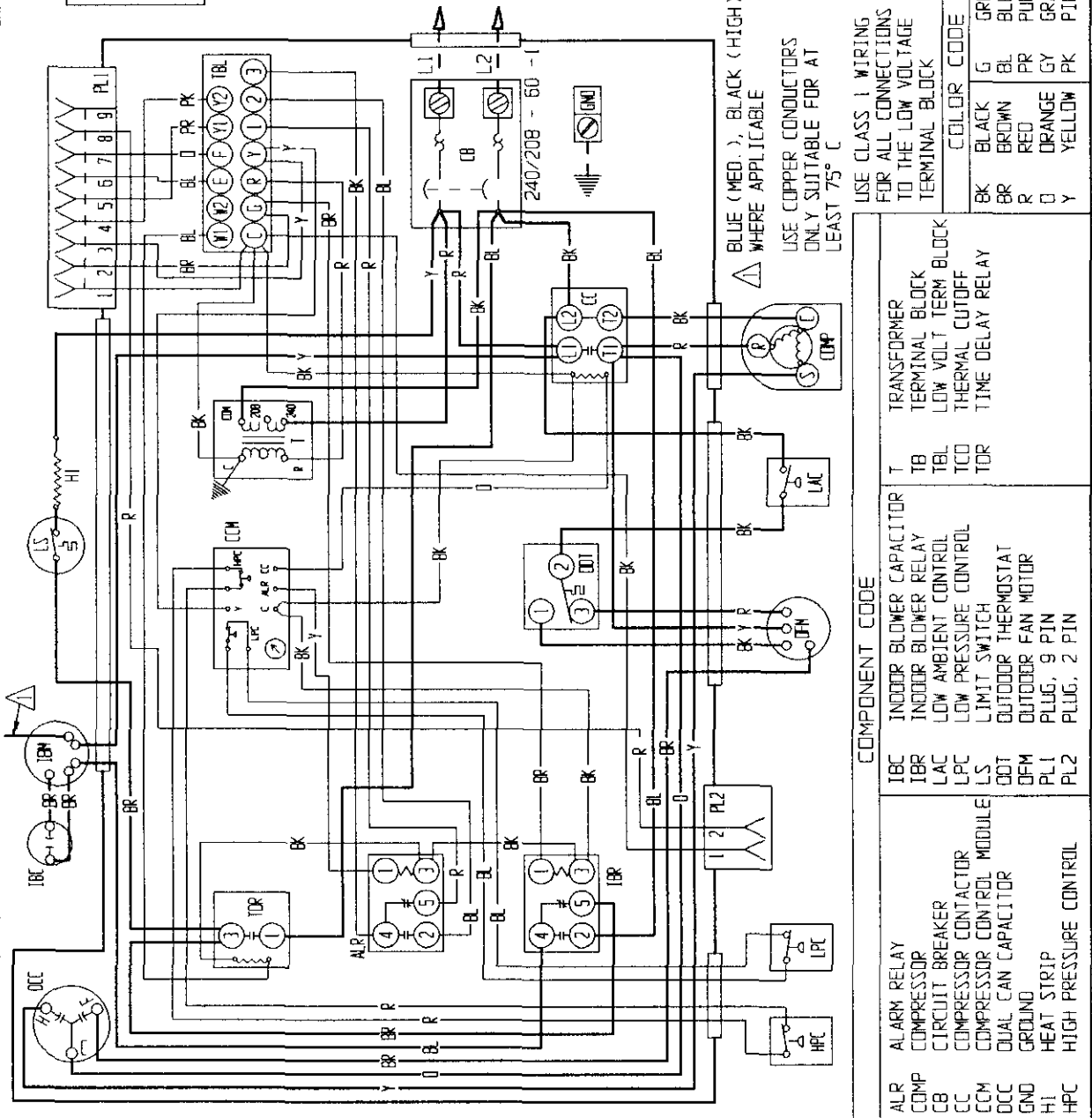
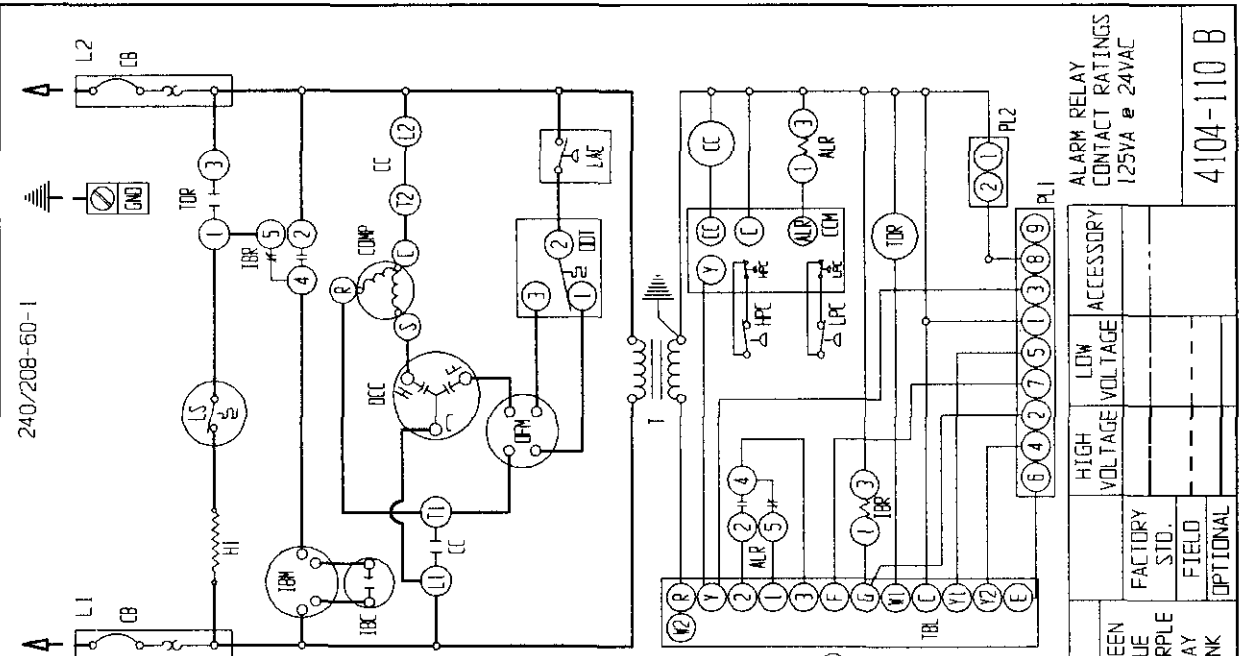
ALR	ALARM RELAY	IBC	INDOOR BLOWER CAPACITOR	T	TRANSFORMER
COMP	COMPRESSOR	IBR	INDOOR BLOWER RELAY	TB	TERMINAL BLOCK
CB	CIRCUIT BREAKER	LAC	LOW AMBIENT CONTROL	TBL	LOW VOLT TERM BLOCK
CC	COMPRESSOR CONTACTOR	LPC	LOW PRESSURE CONTROL	TCO	THERMAL CUTOFF
CCM	COMPRESSOR CONTROL	LS	LIMIT SWITCH	TOR	TIME DELAY RELAY
DCC	DUAL CAN CAPACITOR	ODT	OUTDOOR THERMOSTAT		
GND	GROUND	OFM	OUTDOOR FAN MOTOR		
HL	HEAT STRIP	PL1	PLUG, 9 PIN		
HPC	HIGH PRESSURE CONTROL	PL2	PLUG, 2 PIN		

BK	BLACK	B	BROWN	O	ORANGE	Y	YELLOW
BR	BROWN	R	RED	D	DARK GREEN		
BL	BLUE	P	PURPLE	GY	GRAY		
GR	GREEN	GY	GRAY	PK	PINK		

6	GREEN	ACCESSORY
5	BLUE	LOW VOLTAGE
4	PURPLE	HIGH VOLTAGE
3	RED	FACTORY STU.
2	ORANGE	FIELD
1	YELLOW	OPTIONAL

ALARM RELAY  
CONTACT RATINGS  
125VA @ 24VAC  
4104-110 C

240/208-60-1



BLUE (MED.), BLACK (HIGH)  
WHERE APPLICABLE  
USE COPPER CONDUCTORS  
ONLY SUITABLE FOR AT  
LEAST 75° C

USE CLASS 1 WIRING  
FOR ALL CONNECTIONS  
TO THE LOW VOLTAGE  
TERMINAL BLOCK

COMPONENT CODE

ALR	ALARM RELAY	IBC	INDOOR BLOWER CAPACITOR
COMP	COMPRESSOR	IBR	INDOOR BLOWER RELAY
CB	CIRCUIT BREAKER	LAC	LOW VOLT TERM BLOCK
CC	COMPRESSOR CONTACTOR	LPC	LOW AMBIENT CONTROL
CCM	COMPRESSOR CONTROL MODULE	LS	LOW PRESSURE CONTROL
DCC	DUAL CAN CAPACITOR	LMT	LIMIT SWITCH
GND	GROUND	OTM	OUTDOOR THERMOSTAT
HS	HEAT STRIP	PL1	PLUG, 9 PIN
HPC	HIGH PRESSURE CONTROL	PL2	PLUG, 2 PIN

T	TRANSFORMER
TB	TERMINAL BLOCK
TBL	LOW VOLT TERM BLOCK
TCC	THERMAL CUTOFF
TDR	TIME DELAY RELAY

COLOR CODE	
BK	BLACK
BR	BROWN
R	RED
O	ORANGE
Y	YELLOW
G	GREEN
BL	BLUE
PR	PURPLE
GY	GRAY
PK	PINK

ALARM RELAY CONTACT RATINGS	
125VA @ 24VAC	
HIGH VOLTAGE	ACCESSORY
LOW VOLTAGE	
FACTORY STD.	
FIELD	
OPTIONAL	

4104-110 B

