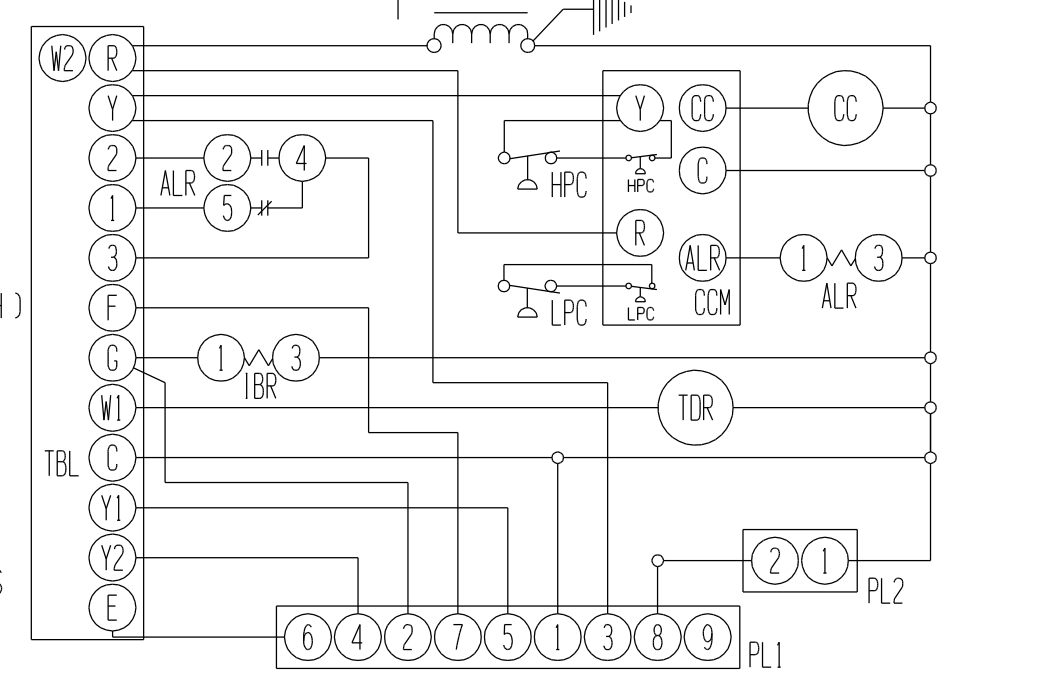
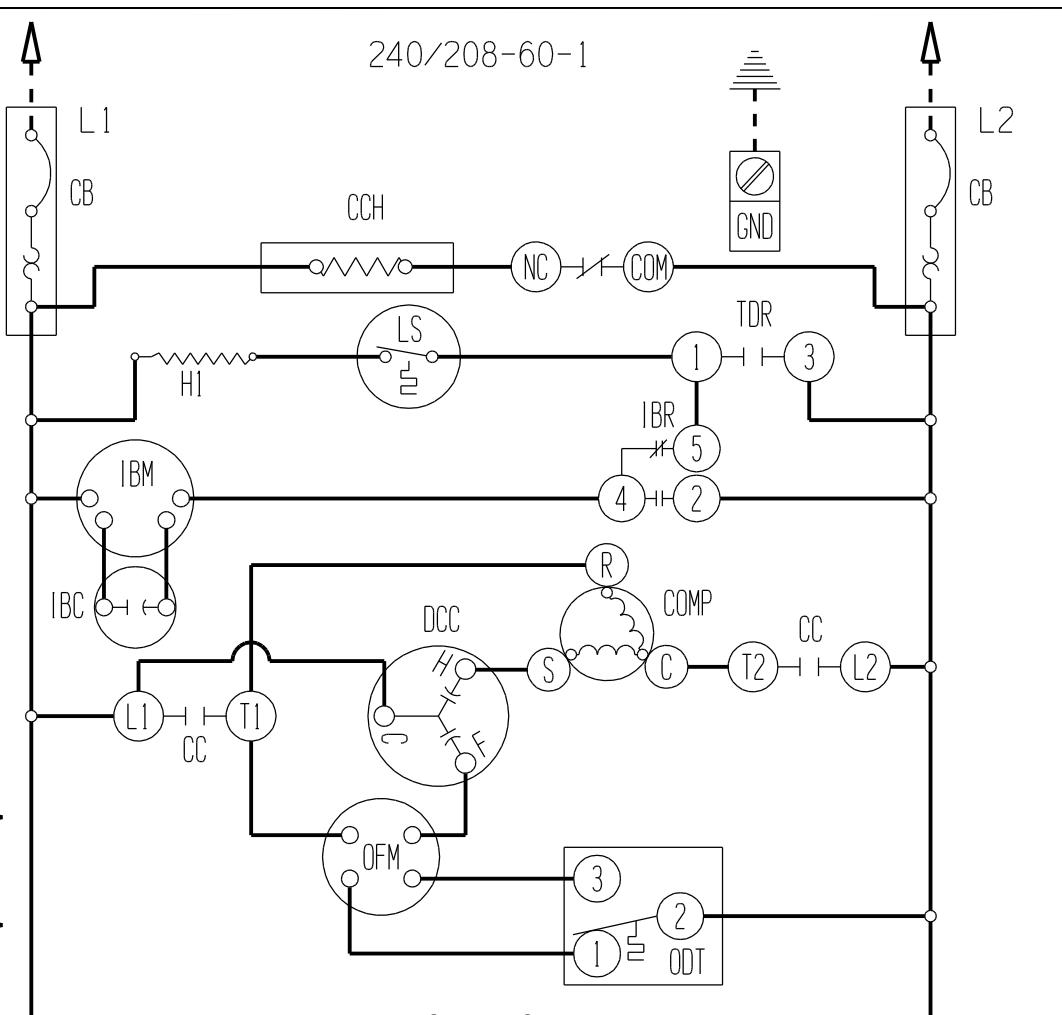


⚠ BLUE (MED.), BLACK (HIGH) WHERE APPLICABLE

USE COPPER CONDUCTORS ONLY SUITABLE FOR AT LEAST 75° C



COMPONENT CODE			
ALR	ALARM RELAY	HPC	HIGH PRESSURE CONTROL
COMP	COMPRESSOR	IBC	INDOOR BLOWER CAPACITOR
CB	CIRCUIT BREAKER	IBM	INDOOR BLOWER MOTOR
CC	COMPRESSOR CONTACTOR	IBR	INDOOR BLOWER RELAY
CCH	CRANKCASE HEATER	LAC	LOW AMBIENT CONTROL
CCM	COMPRESSOR CONTROL MODULE	LPC	LOW PRESSURE CONTROL
DCC	DUAL CAN CAPACITOR	LS	LIMIT SWITCH
GND	GROUND	ODT	OUTDOOR THERMOSTAT
H1	HEAT STRIP	OFM	OUTDOOR FAN MOTOR
PL1	PLUG, 9 PIN	T	TRANSFORMER
PL2	PLUG, 2 PIN	TB	TERMINAL BLOCK
TBL	LOW VOLT TERM BLOCK	TCO	THERMAL CUTOFF
TDR	TIME DELAY RELAY		

USE CLASS 1 WIRING FOR ALL CONNECTIONS TO THE LOW VOLTAGE TERMINAL BLOCK

COLOR CODE			
BK	BLACK	G	GREEN
BR	BROWN	BL	BLUE
R	RED	PR	PURPLE
O	ORANGE	GY	GRAY
Y	YELLOW	PK	PINK

	HIGH VOLTAGE	LOW VOLTAGE	ACCESSORY
FACTORY STD.	---	---	---
FIELD	---	---	---
OPTIONAL	---	---	---

ALARM RELAY CONTACT RATINGS 125VA @ 24VAC

4104-111 A