

**COMPONENT CODE**

ALR	ALARM RELAY
COMP	COMPRESSOR
CB	CIRCUIT BREAKER
CC	COMPRESSOR CONTACTOR
CDL	COMPRESSOR CONTROL, MODULE
GND	GROUND
HL	HEAT STRIP
HPC	HIGH PRESSURE CONTROL
IB	INDOOR BLOWER CAPACITOR
IBR	INDOOR BLOWER RELAY
LAC	LOW VOLT TERM BLOCK
LFC	THERMAL CUTOFF
LS	TIME DELAY RELAY
LDC	INDOOR BLOWER CONTROL
LSC	LOW PRESSURE CONTROL
LDC	LIMIT SWITCH
ODP	OUTDOOR THERMOSTAT
ODM	OUTDOOR FAN MOTOR
PLI	PLUG, 9 PIN
PL2	PLUG, 2 PIN

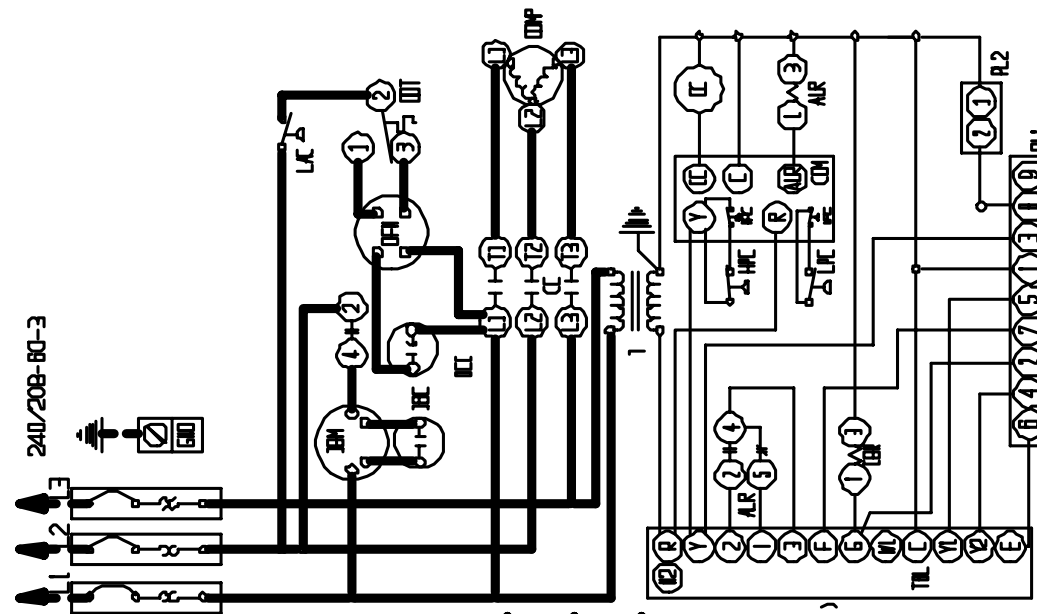
**COMPONENT CODE**

T	TRANSFORMER
TB	TERMINAL BLOCK
TBL	LOW VOLT TERM BLOCK
TOD	THERMAL CUTOFF
TDR	TIME DELAY RELAY

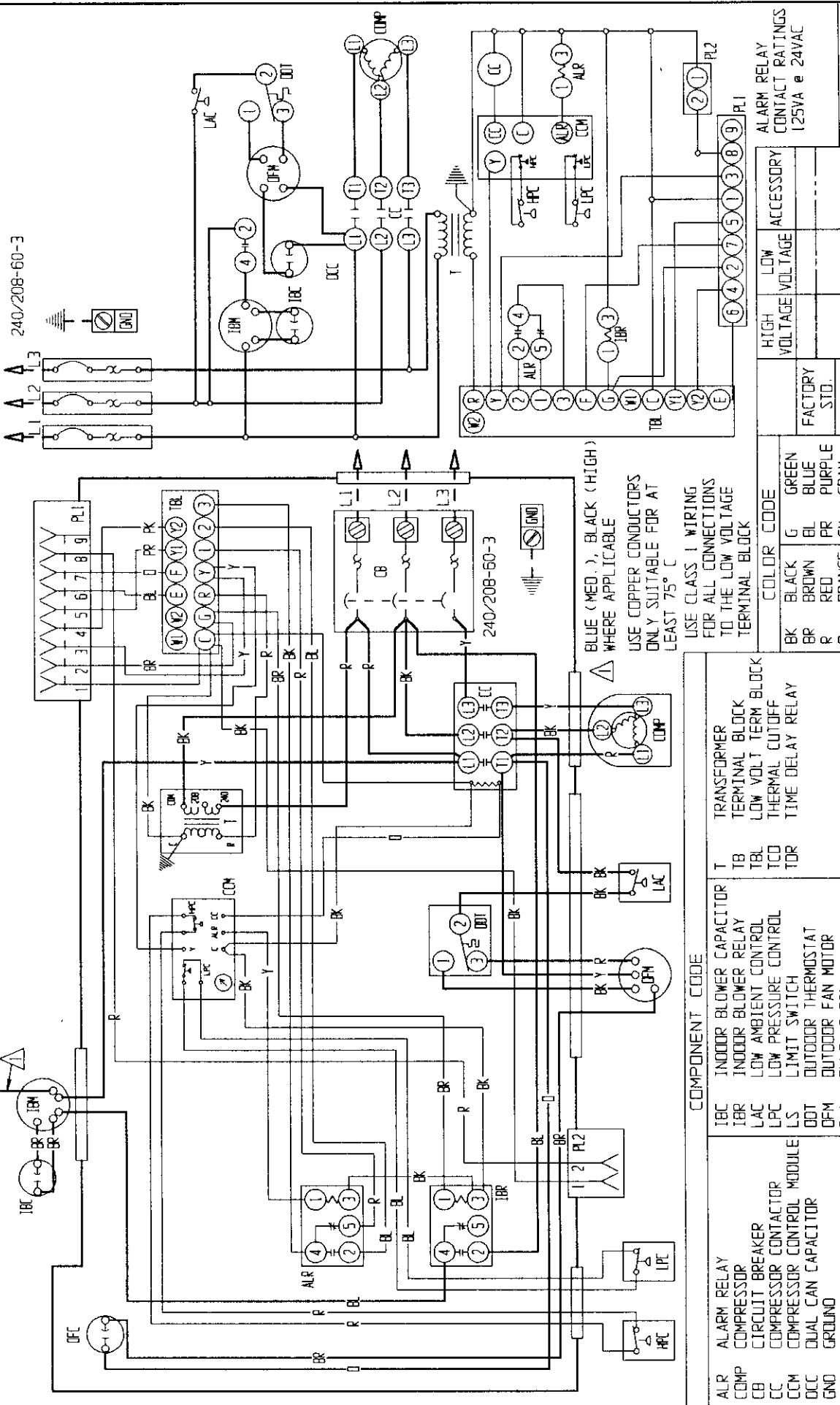
HIGH VOLTAGE VOLTAGE		LOW VOLTAGE		ACCESSORY		ALARM RELAY
6	4	2	1	3	1	CONTACT RATINGS
7	5	3	2	2	1	125VA @ 24VAC
8	1	4	3	3	2	
9	2	5	4	4	3	
10	3	6	5	5	4	
11	4	7	6	6	5	
12	5	8	7	7	6	
13	6	9	8	8	7	
14	7	10	9	9	8	
15	8	11	10	10	9	
16	9	12	11	11	10	
17	10			12	11	
18	11					

**4104-200 C**

240/208-60-3



240/208-60-3



BLUE (MED.), BLACK (HIGH)  
WHERE APPLICABLE  
USE COPPER CONDUCTORS  
ONLY SUITABLE FOR AT  
LEAST 75° C

USE CLASS 1 WIRING  
FOR ALL CONNECTIONS  
TO THE LOW VOLTAGE  
TERMINAL BLOCK

COMPONENT CODE

ALR	ALARM RELAY
COMP	COMPRESSOR
CB	CIRCUIT BREAKER
CC	COMPRESSOR CONTACTOR
CCM	COMPRESSOR CONTROL MODULE
DCC	DUAL CAN CAPACITOR
GND	GROUND
HI	HEAT STRIP
HPC	HIGH PRESSURE CONTROL
IBC	INDOOR BLOWER CAPACITOR
IBR	INDOOR BLOWER RELAY
LAC	LOW AMBIENT CONTROL
LPC	LOW PRESSURE CONTROL
LS	LIMIT SWITCH
ODM	OUTDOOR THERMOSTAT
OFM	OUTDOOR FAN MOTOR
PL1	PLUG, 9 PIN
PL2	PLUG, 2 PIN

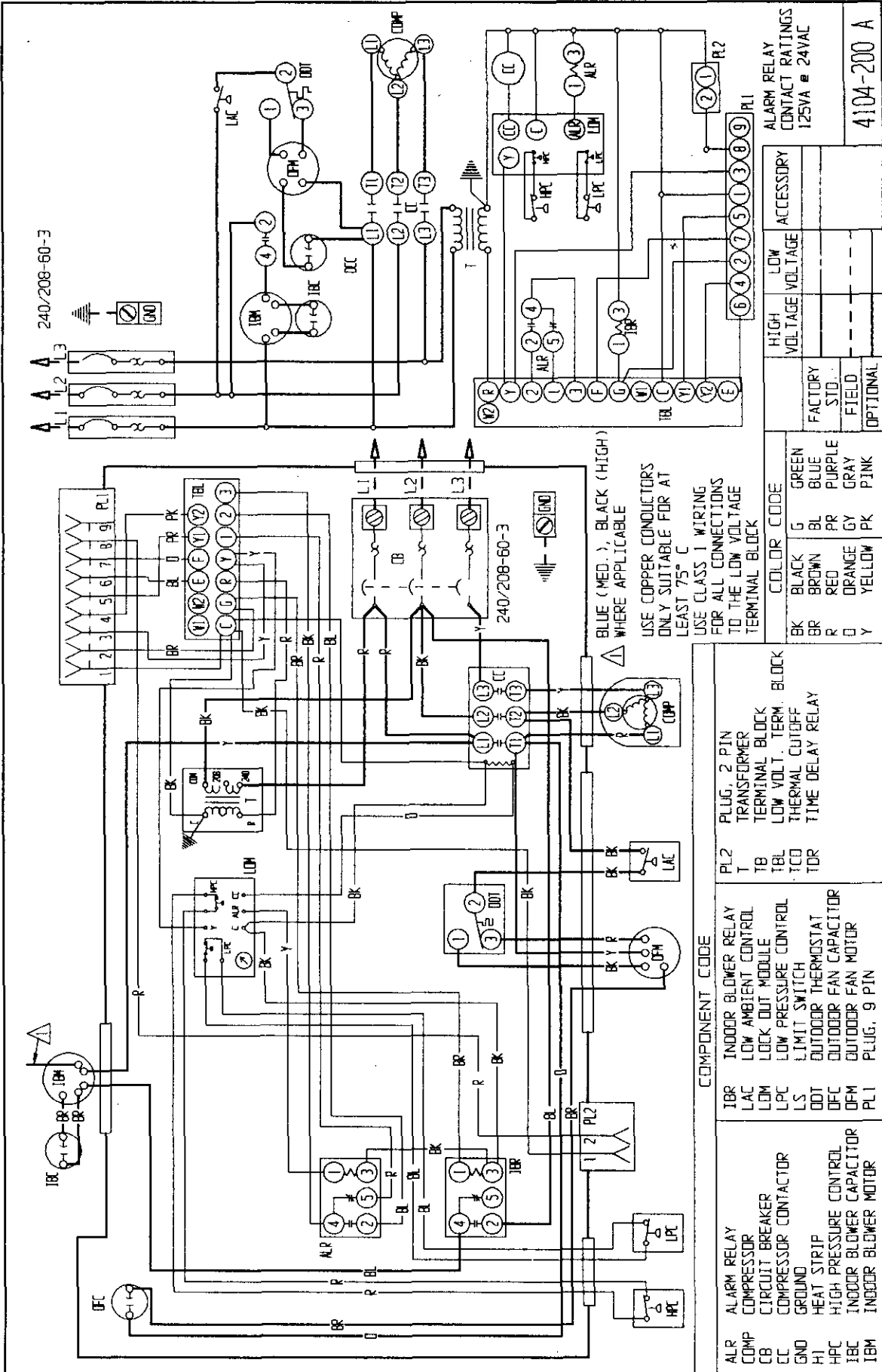
T	TRANSFORMER
TB	TERMINAL BLOCK
TBL	LOW VOLT TERM BLOCK
TCD	THERMAL CUTOFF
TDR	TIME DELAY RELAY

COLOR CODE	
BK	BLACK
BR	BROWN
R	RED
O	ORANGE
Y	YELLOW
G	GREEN
BL	BLUE
PR	PURPLE
GY	GRAY
PK	PINK

HIGH VOLTAGE	LOW VOLTAGE	ACCESSORY

ALARM RELAY  
CONTACT RATINGS  
125VA @ 24VAC

4104-200 B



240/208-60-3

BLUE (MED.), BLACK (HIGH)  
WHERE APPLICABLE  
USE COPPER CONDUCTORS  
ONLY SUITABLE FOR AT  
LEAST 75° C  
USE CLASS 1 WIRING  
FOR ALL CONNECTIONS  
TO THE LOW VOLTAGE  
TERMINAL BLOCK

COMPONENT CODE

ALR	ALARM RELAY	IBR	INDOOR BLOWER RELAY
COMP	COMPRESSOR	LAC	LOW AMBIENT CONTROL
CB	CIRCUIT BREAKER	LOM	LOCK OUT MODULE
CC	COMPRESSOR CONTACTOR	LPC	LOW PRESSURE CONTROL
GND	GROUND	LS	LIMIT SWITCH
HS	HEAT STRIP	ODT	OUTDOOR THERMOSTAT
HPC	HIGH PRESSURE CONTROL	OFC	OUTDOOR FAN CAPACITOR
IBC	INDOOR BLOWER CAPACITOR	OFM	OUTDOOR FAN MOTOR
IBM	INDOOR BLOWER MOTOR	PL1	PLUG, 9 PIN

PL2	PLUG, 2 PIN
T	TRANSFORMER
TB	TERMINAL BLOCK
TBL	LOW VOLT. TERM. BLOCK
TCC	THERMAL CUTOFF
TDR	TIME DELAY RELAY

BK	BROWN	G	GREEN
BR	BROWN	BL	BLUE
R	RED	PR	PURPLE
O	ORANGE	GY	GRAY
Y	YELLOW	PK	PINK

	HIGH VOLTAGE VOLTAGE	LOW VOLTAGE	ACCESSORY
	FACTORY		
	STD.		
	FIELD		
	OPTIONAL		

ALARM RELAY  
CONTACT RATINGS  
125VA @ 24VAC  
4104-200 A