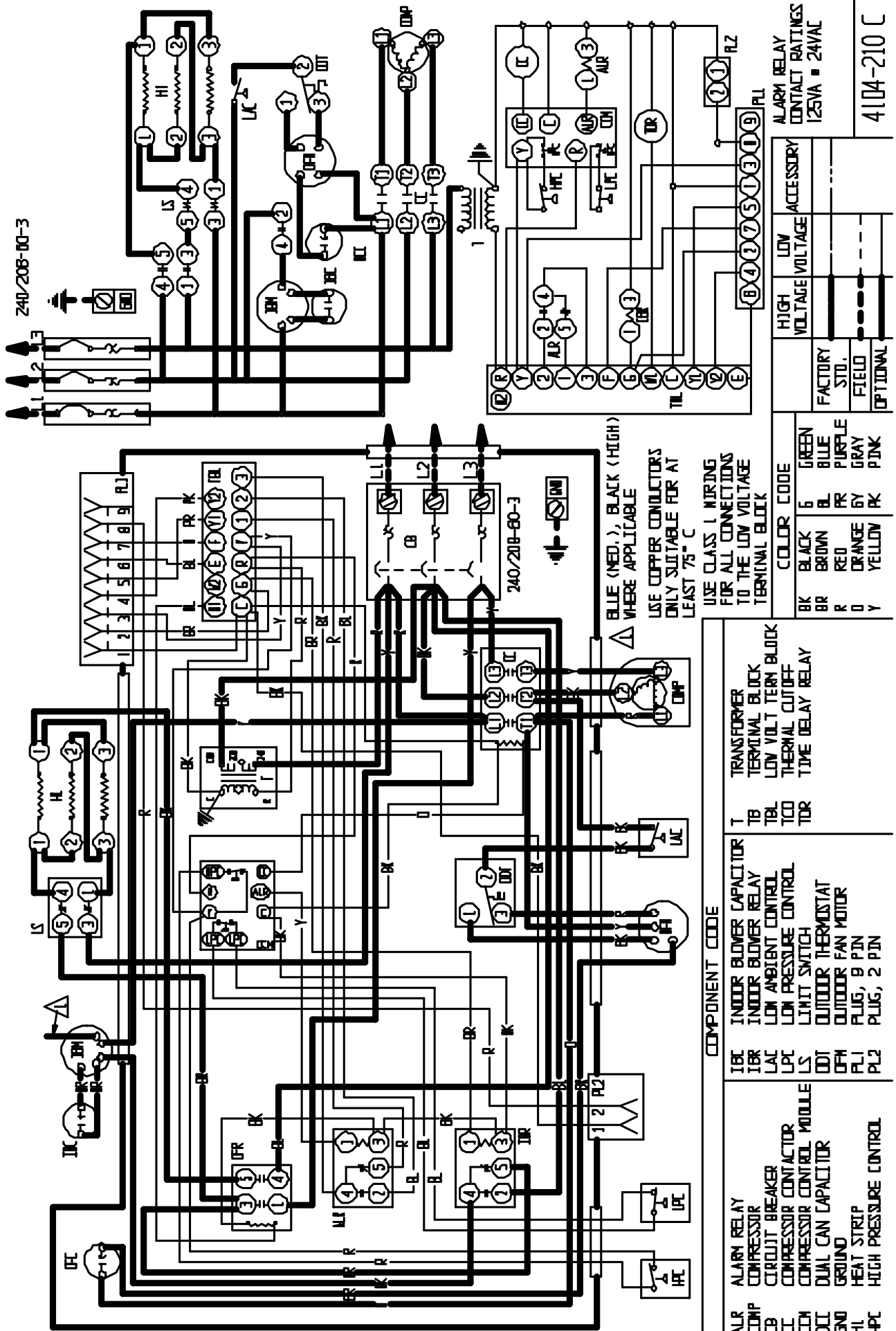


Z40/208-80-3



BLUE (MED.), BLACK (HIGH)
WHERE APPLICABLE
USE COPPER CONDUCTORS
ONLY SUITABLE FOR AT
LEAST 75° C

USE CLASS 1 WIRING
FOR ALL CONNECTIONS
TO THE LOW VOLTAGE
TERMINAL BLOCK

COMPONENT CODE

ALR	ALARM RELAY	IBC	INDOOR BLOWER CAPACITOR	T	TRANSFORMER
COMP	COMPRESSOR	IBR	INDOOR BLOWER RELAY	TB	TERMINAL BLOCK
CB	CIRCUIT BREAKER	LAC	LOW AMBIENT CONTROL	TBL	LOW VOLT TERM BLOCK
CC	COMPRESSOR CONTACTOR	LPC	LOW PRESSURE CONTROL	TCD	THERMAL CUTOFF
CCM	COMPRESSOR CONTROL MIDDLE	LS	LIMIT SWITCH	TDR	TIME DELAY RELAY
DCC	DUAL CAN CAPACITOR	ODT	OUTDOOR THERMOSTAT		
GND	GROUND	OFM	OUTDOOR FAN MOTOR		
HL	HEAT STRIP	PL1	PLUG, 8 PIN		
HPC	HIGH PRESSURE CONTROL	PL2	PLUG, 2 PIN		

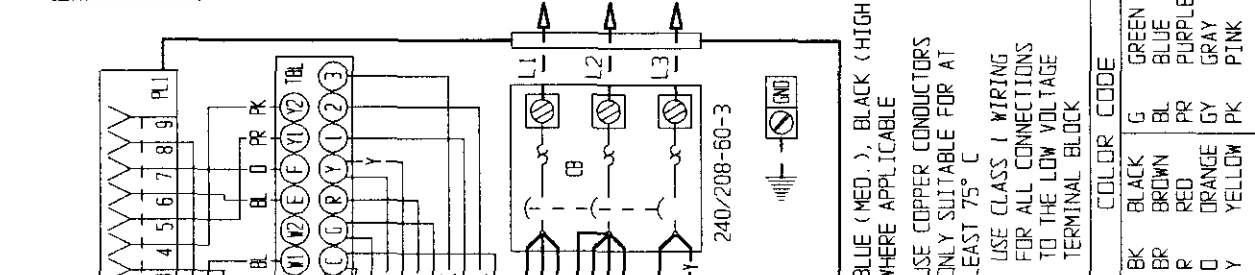
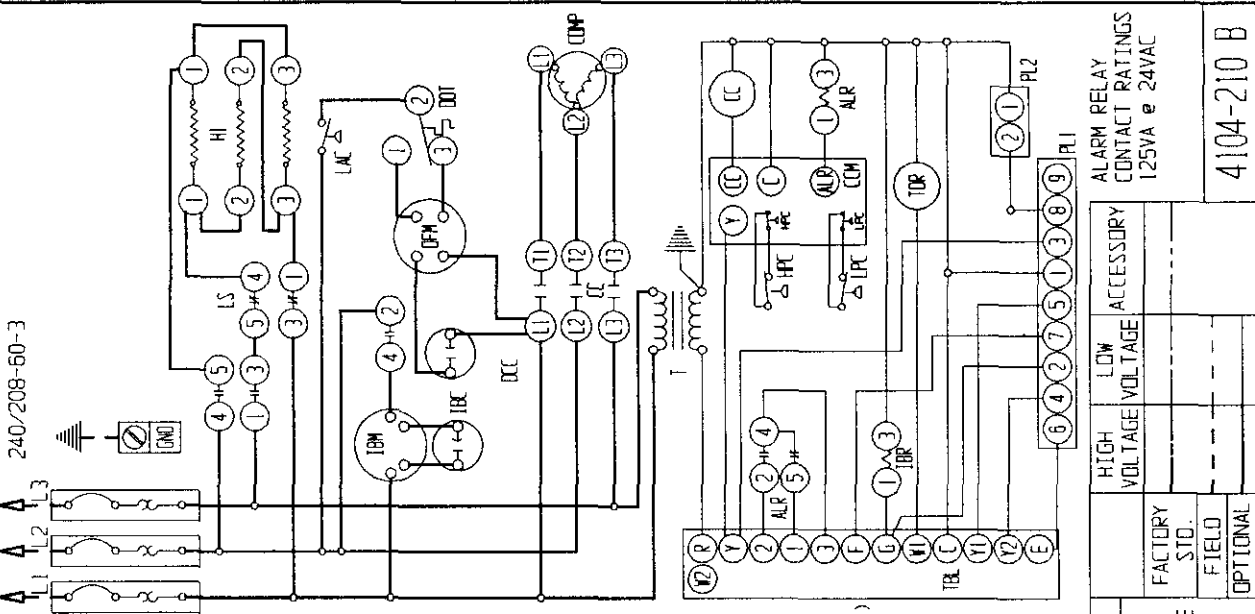
COLOR CODE	GREEN
BK	BLACK
BR	BROWN
R	RED
O	ORANGE
Y	YELLOW
BL	BLUE
PR	PURPLE
GY	GRAY
PK	PINK

FACTORY	LOW VOLTAGE	ACCESSORY
STD.		
FIELD		
OPTIONAL		

ALARM RELAY
CONTACT RATINGS
125VA @ 24VAC

4104-210 C

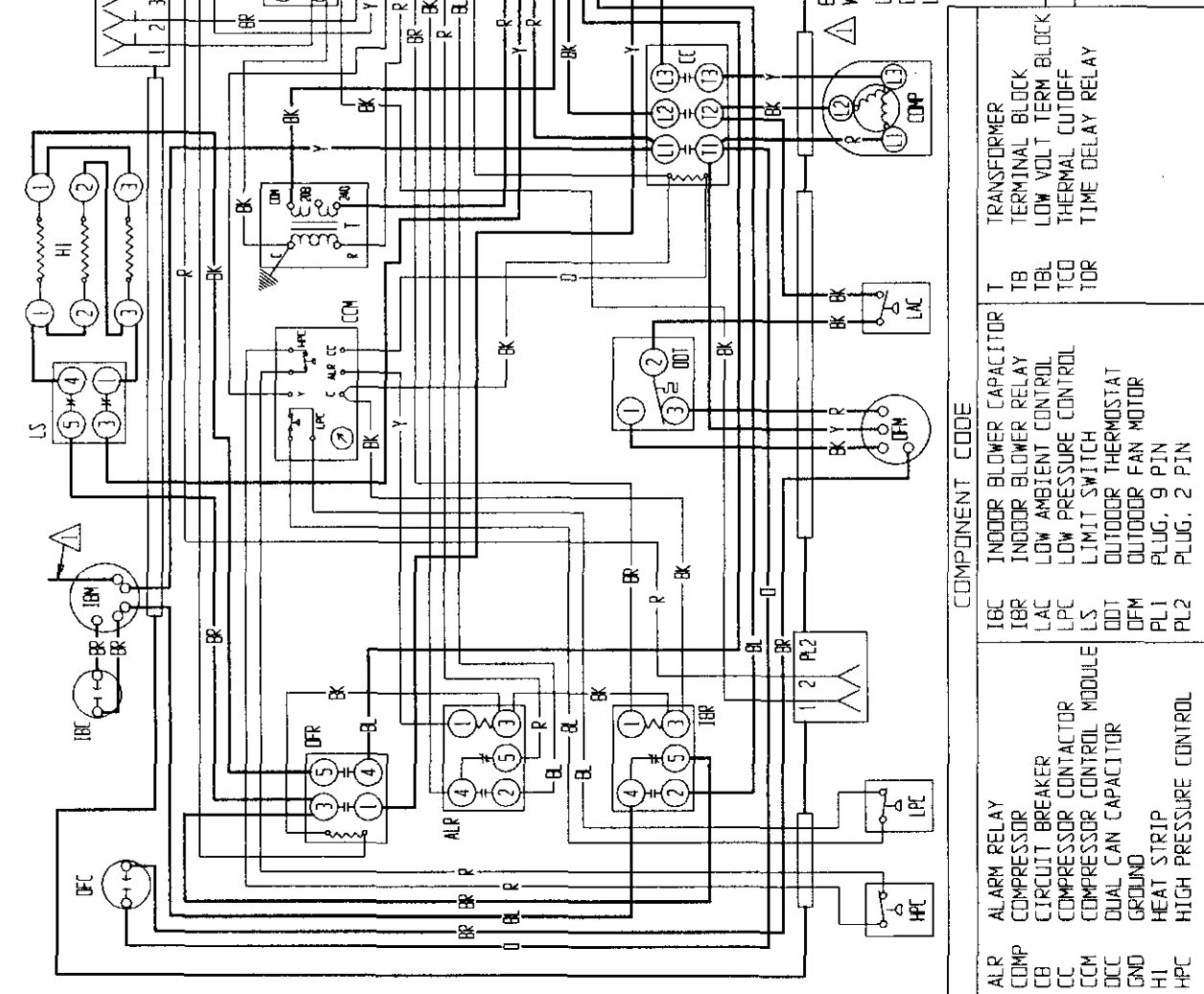
240/208-60-3



BLUE (MED.), BLACK (HIGH)
WHERE APPLICABLE
USE COPPER CONDUCTORS
ONLY SUITABLE FOR AT
LEAST 75° C

USE CLASS 1 WIRING FOR ALL CONNECTIONS TO THE LOW VOLTAGE TERMINAL BLOCK

COLOR CODE	
BK	BLACK
BR	BROWN
R	RED
O	ORANGE
Y	YELLOW
G	GREEN
BL	BLUE
PR	PURPLE
GY	GRAY
PK	PINK



COMPONENT CODE

ALR	ALARM RELAY	T	TRANSFORMER
COMP	COMPRESSOR	TB	TERMINAL BLOCK
CB	CIRCUIT BREAKER	TBL	LOW VOLT TERM BLOCK
CC	COMPRESSOR CONTACTOR	TCC	THERMAL CUTOFF
CCM	COMPRESSOR CONTROL MODULE	TOR	TIME DELAY RELAY
DCC	DUAL CAN CAPACITOR		
END	GROUND		
HI	HEAT STRIP		
HPC	HIGH PRESSURE CONTROL		
IBR	INDOOR BLOWER RELAY		
LAC	LOW AMBIENT CONTROL		
LPC	LOW PRESSURE CONTROL		
LS	LIMIT SWITCH		
ODT	OUTDOOR THERMOSTAT		
OFM	OUTDOOR FAN MOTOR		
PL1	PLUG, 9 PIN		
PL2	PLUG, 2 PIN		
IBR	INDOOR BLOWER RELAY		
LAC	LOW AMBIENT CONTROL		
LPC	LOW PRESSURE CONTROL		
LS	LIMIT SWITCH		
ODT	OUTDOOR THERMOSTAT		
OFM	OUTDOOR FAN MOTOR		
PL1	PLUG, 9 PIN		
PL2	PLUG, 2 PIN		

ALARM RELAY
CONTACT RATINGS
125VA @ 24VAC

4104-210 B

