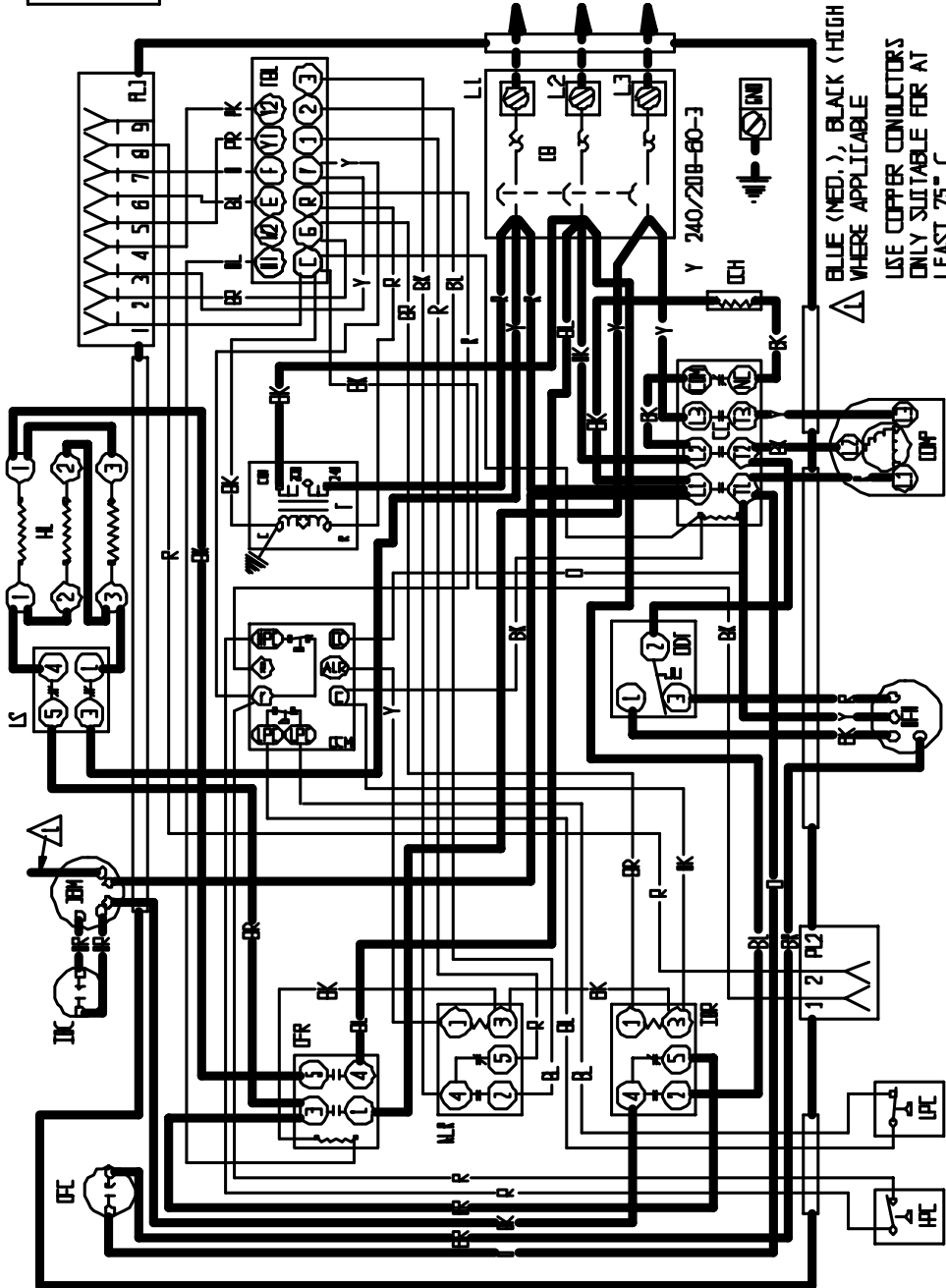


FACTORY STD.	FIELD	OPTIONAL
ALARM RELAY		
CONTACT RATINGS		
125VA @ 24VAC		

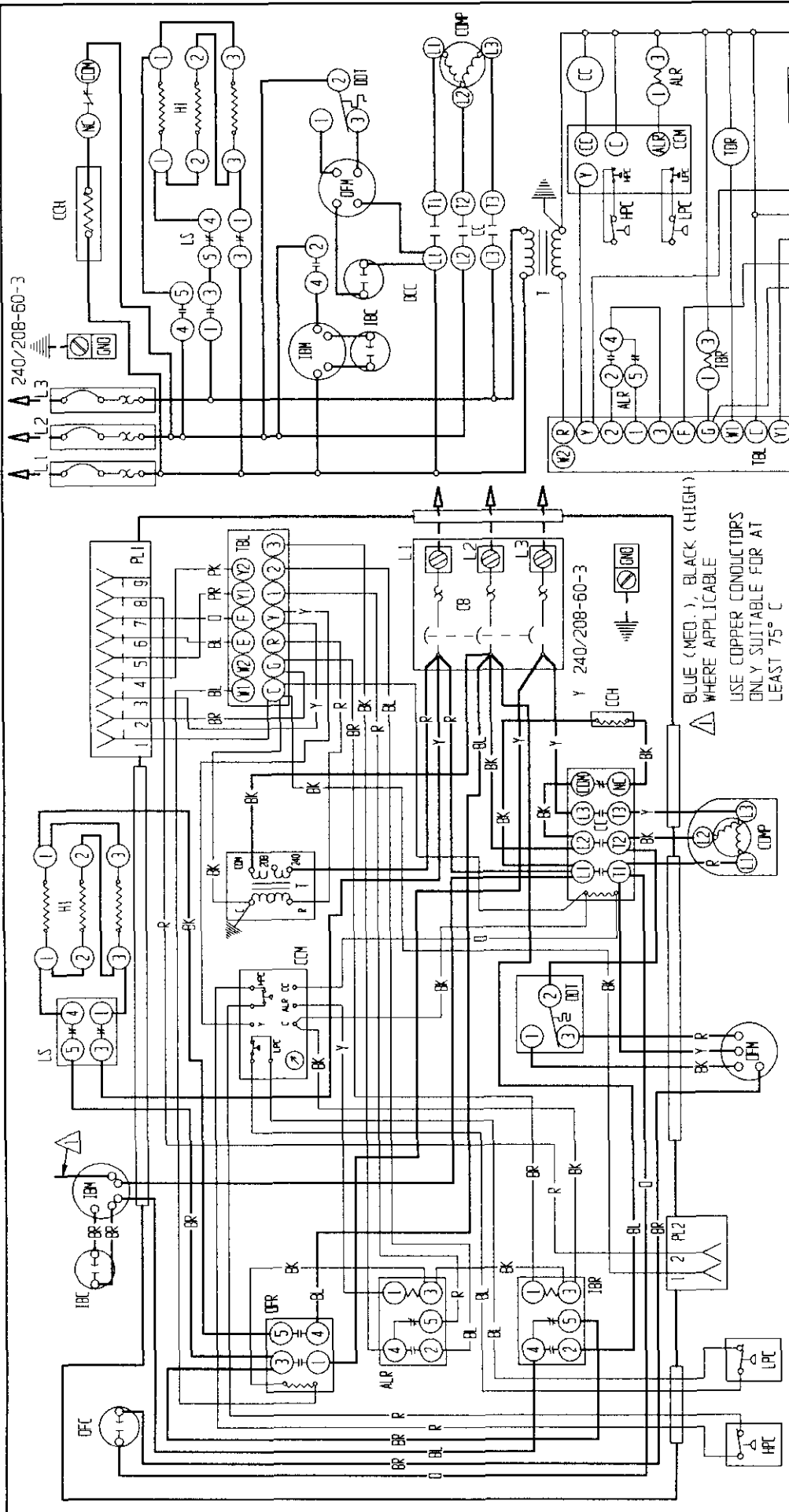
4104-211 A



BLUE (MED.), BLACK (HIGH) WHERE APPLICABLE
 USE COPPER CONDUCTORS ONLY SUITABLE FOR AT LEAST 75°C
 USE CLASS 1 WIRING FOR ALL CONNECTIONS TO THE LOW VOLTAGE TERMINAL BLOCK

HIGH VOLTAGE	LOW VOLTAGE	ACCESSORY
6	1	
5	2	
4	3	
3	4	
2	5	
1	6	
	7	
	8	
	9	
	10	
	11	
	12	

COMPONENT CODE	TERMINAL	COLOR CODE
ALR ALARM RELAY	PL1	GREEN
COMP COMPRESSOR	PL2	BLUE
CB CIRCUIT BREAKER	T	PURPLE
CC COMPRESSOR CONTACTOR	TBL	GRAY
CCH CRANKCASE HEATER	TCD	PINK
CCM COMPRESSOR CONTROL	TOR	
GND GROUND		
HI HEAT STRIP		
HPC HIGH PRESSURE CONTROL		
IB ALARM RELAY	FL1	GREEN
IBR ALARM RELAY	FL2	BLUE
IBM ALARM RELAY	T	PURPLE
IBC ALARM RELAY	TBL	GRAY
LAC LOW AMBIENT BLOCK	TCD	PINK
LPC LOW PRESSURE CONTROL	TOR	
LS LIMIT SWITCH		
ODT OUTDOOR THERMOSTAT		
OFM OUTDOOR FAN MOTOR		



COMPONENT CODE		COLOR CODE		FACTORY STD.		FIELD		OPTIONAL	
ALR	ALARM RELAY	BK	BLACK	G	GREEN				
COMP	COMPRESSOR	BR	BROWN	BL	BLUE				
CB	CIRCUIT BREAKER	R	RED	PR	PURPLE				
CC	COMPRESSOR CONTACTOR	D	ORANGE	GY	GRAY				
CCH	CRANKCASE HEATER	Y	YELLOW	PK	PINK				
CCM	COMPRESSOR CONTROL MODULE								
GND	GROUND								
H1	HEAT STRIP								
HPC	HIGH PRESSURE CONTROL								
IBM	INDOOR BLOWER MOTOR								
IBR	INDOOR BLOWER RELAY								
LAC	LOW AMBIENT CONTROL								
LPC	LOW PRESSURE CONTROL								
LS	LIMIT SWITCH								
DOT	OUTDOOR THERMOSTAT								
DFM	OUTDOOR FAN MOTOR								
PL1	PLUG, 9 PIN								
PL2	PLUG, 2 PIN								
T	TRANSFORMER								
TB	TERMINAL BLOCK								
TBL	LOW VOLT TERM BLOCK								
TCD	THERMAL CUTOFF								
TOR	TIME DELAY RELAY								

HIGH VOLTAGE	LOW VOLTAGE	ACCESSORY

ALARM RELAY	CONTACT RATINGS
	125VA @ 24VAC

4104-211

BLUE (MED.), BLACK (HIGH)
WHERE APPLICABLE
USE COPPER CONDUCTORS
ONLY SUITABLE FOR AT
LEAST 75° C

USE CLASS 1 WIRING
FOR ALL CONNECTIONS
TO THE LOW VOLTAGE
TERMINAL BLOCK