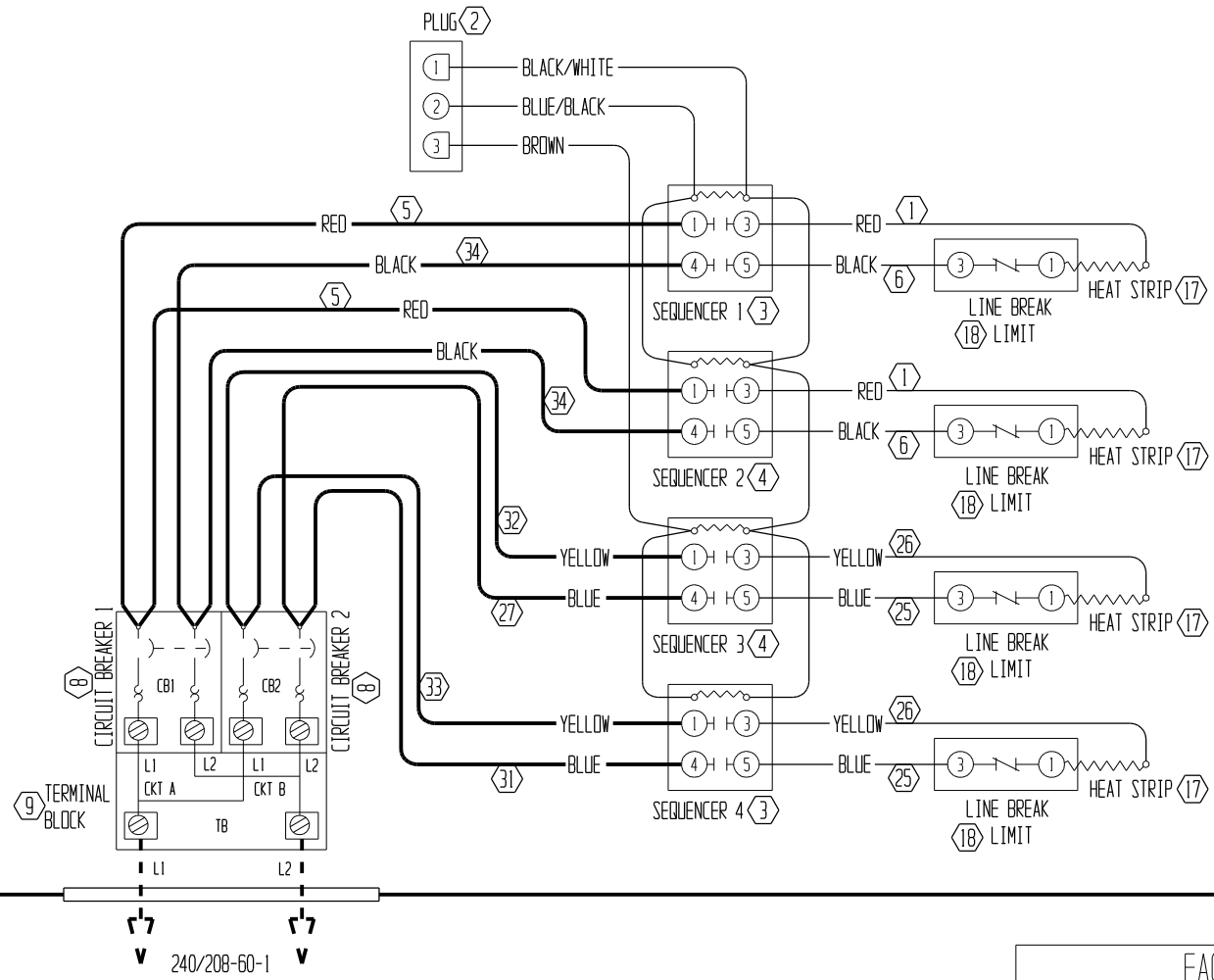


# CONNECTION DIAGRAM

DANGER: ELECTRICAL SHOCK HAZARD.  
DISCONNECT POWER BEFORE SERVICING.



NOTE: REFER TO THE HEATER PACKAGE  
INSTRUCTIONS FOR PROPER INSTALLATION

	FACTORY WIRING	FIELD WIRING
Low Voltage	_____	-----
High Voltage	_____	-----

USE COPPER CONDUCTORS  
ONLY SUITABLE FOR  
AT LEAST 75°C

# LADDER DIAGRAM

