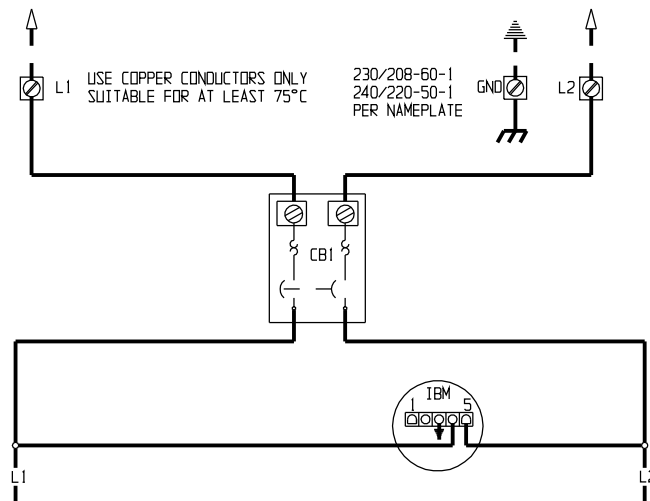
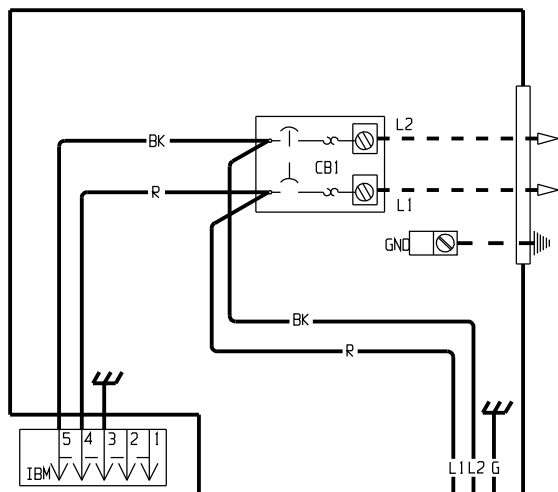


230/208-60-1
240/220-50-1
PER NAMEPLATE



USE COPPER CONDUCTORS ONLY
SUITABLE FOR AT LEAST 75°C

230/208-60-1
240/220-50-1
PER NAMEPLATE