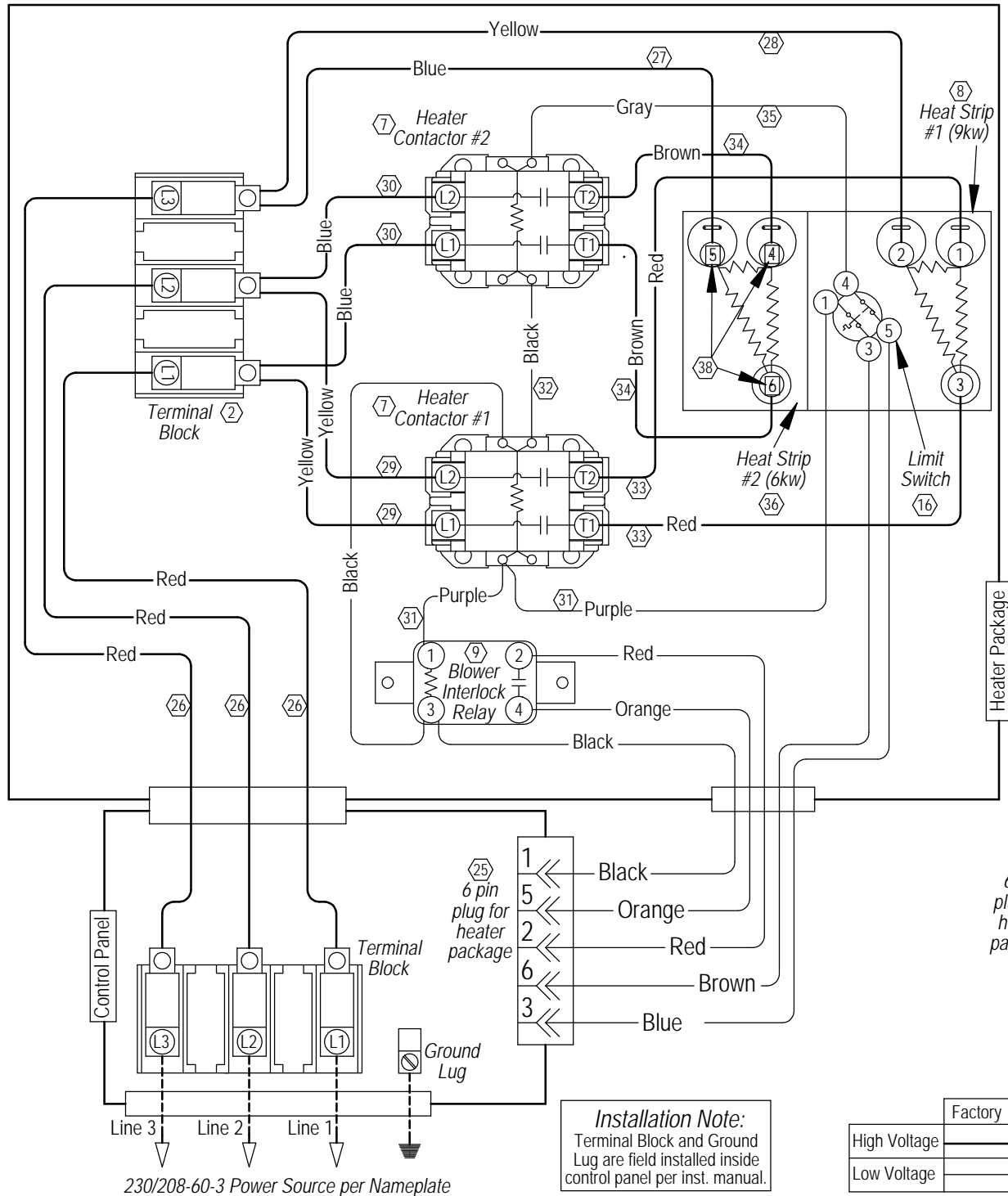
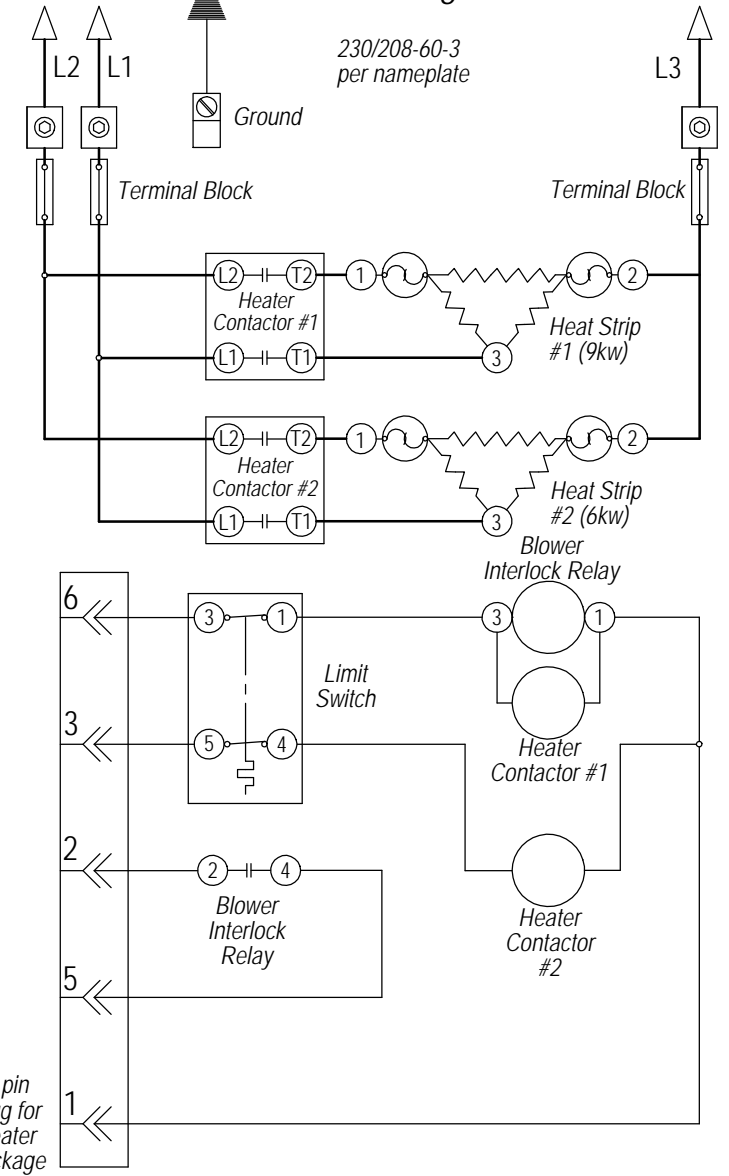


Diagram for 230/208-60-3 Heater Package



Ladder Diagram



Installation Note:
Terminal Block and Ground Lug are field installed inside control panel per inst. manual.

	Factory	Field	Optional
High Voltage			
Low Voltage			

⚠ DANGER
*ELECTRICAL SHOCK HAZARD
*DISCONNECT POWER BEFORE SERVICING.

⚠ WARNING
USE COPPER CONDUCTORS
ONLY SUITABLE FOR AT LEAST
75° C.



4111-201 A

230/208-60-3 Power Source per Nameplate