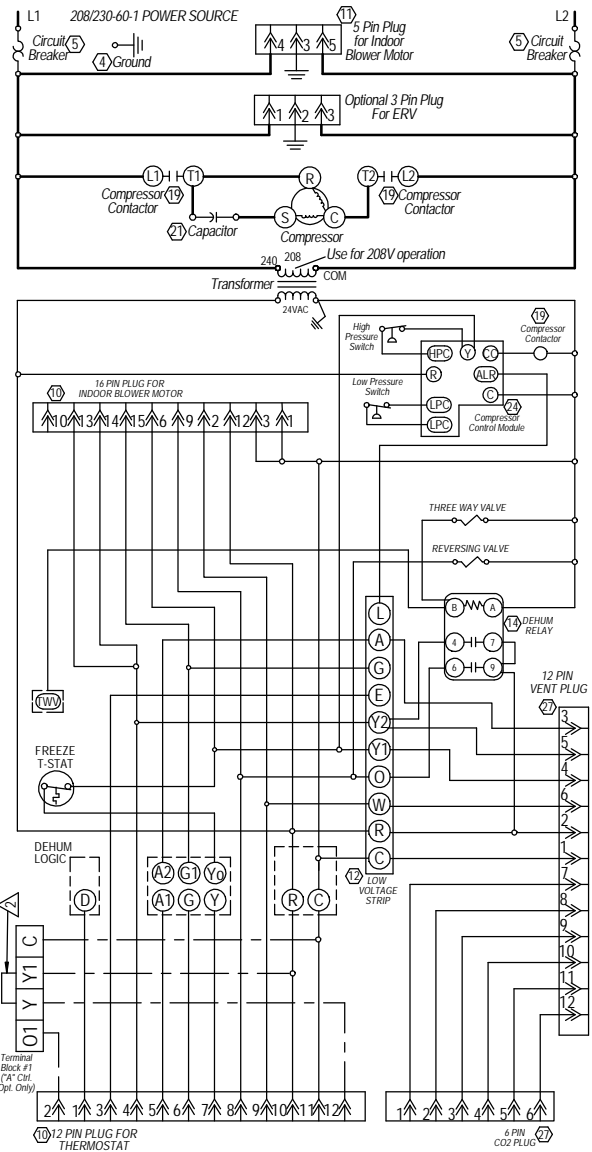


230/208-60-1 VOLT PACKAGE
UNIT DIAGRAM

- 1 FOR ANTIFREEZE LOOP APPLICATIONS, CHANGE LOW PRESSURE SWITCH TO YELLOW LEADS ON YELLOW WIRES COMING OFF OF COMPRESSOR CONTROL MODULE "LPC" TERMINALS
- 2 FOR 208 VOLT OPERATION, MOVE THIS RED WIRE TO 208 VOLT TRANSFORMER TAP
- 3 REMOVE JUMPER WHEN CS2000 ENERGY MONITOR IS INSTALLED
- 4 REMOVE WIRE FROM TERMINAL Y2 AND TAPE OFF WHEN LOWER FULL LOAD CFM DESIRED

CAPACITOR CHART	
MODEL	CAPACITOR
QW2S	35/370
QW3S	40/370
QW4S	45/370
QW5S	80/370



99 Wire Identification numbers for Bard use only.

WARNING
USE COPPER CONDUCTORS
ONLY SUITABLE FOR AT LEAST
75° C.

DANGER
ELECTRICAL SHOCK HAZARD
DISCONNECT POWER BEFORE
SERVICING.

	Factory	Field	Optional
High Voltage			
Low Voltage			

Bard
SINCE 1984
Bard Mfg. Co.
Bryan, Ohio
4113-101 B