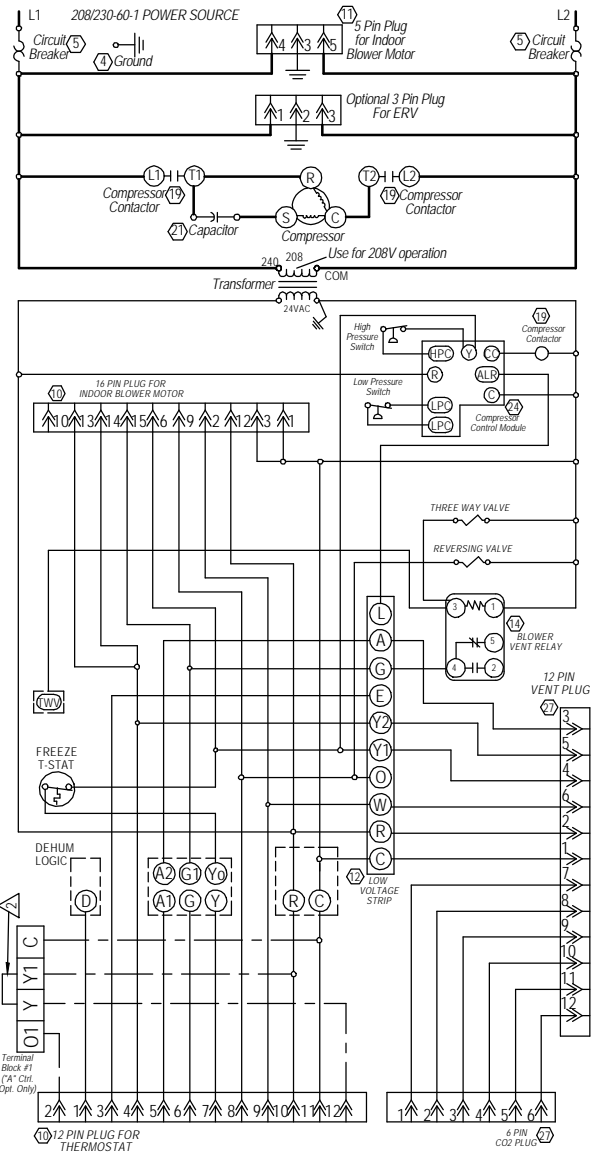


230/208-60-1 VOLT PACKAGE UNIT DIAGRAM

- 1 FOR ANTIFREEZE LOOP APPLICATIONS, CHANGE LOW PRESSURE SWITCH TO YELLOW LEADS ON YELLOW WIRES COMING OFF OF COMPRESSOR CONTROL MODULE "LPC" TERMINALS
- 2 FOR 208 VOLT OPERATION, MOVE THIS RED WIRE TO 208 VOLT TRANSFORMER TAP
- 3 REMOVE JUMPER WHEN CS2000 ENERGY MONITOR IS INSTALLED
- 4 REMOVE WIRE FROM TERMINAL Y2 AND TAPE OFF WHEN LOWER FULL LOAD CFM DESIRED

CAPACITOR CHART	
MODEL	CAPACITOR
QW2S	35/370
QW3S	40/370
QW4S	45/370
QW5S	80/370




99 Wire Identification numbers for Bard use only.

**WARNING**  
USE COPPER CONDUCTORS ONLY SUITABLE FOR AT LEAST 75° C.

**DANGER**  
ELECTRICAL SHOCK HAZARD  
DISCONNECT POWER BEFORE SERVICING.

	Factory	Field	Optional
High Voltage			
Low Voltage			

  
 Bard Mfg. Co.  
 Bryan, Ohio  
 4113-101