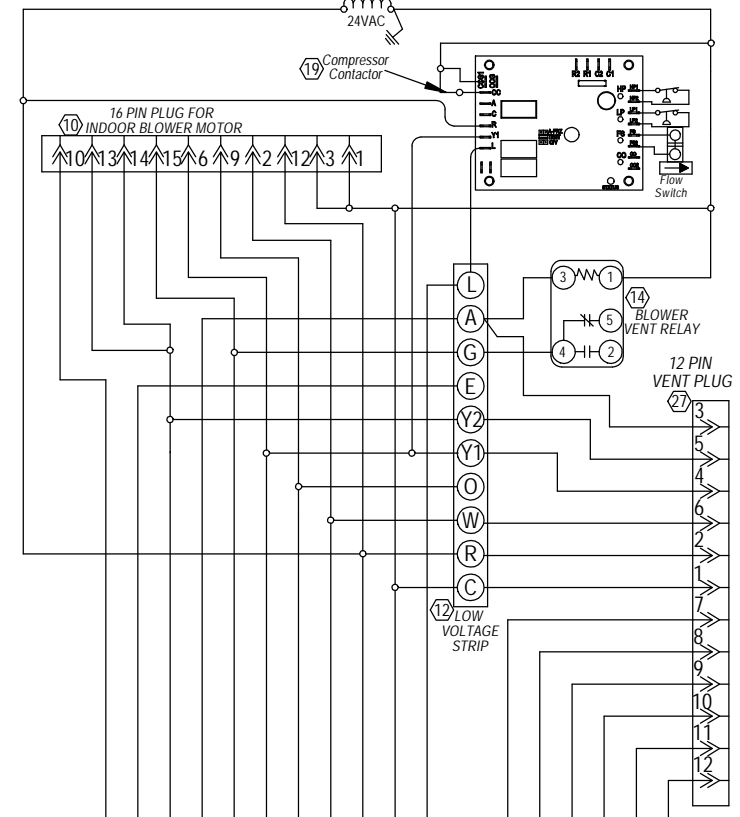
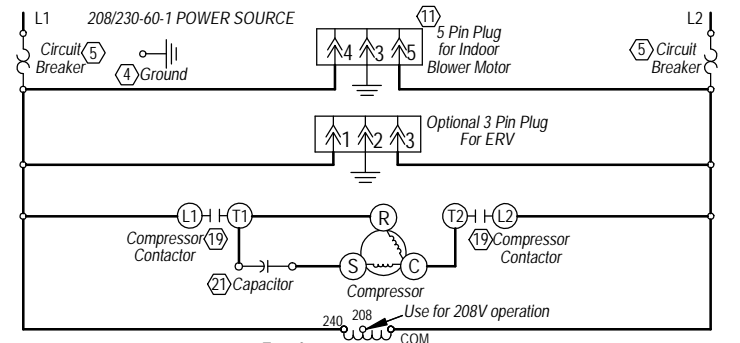
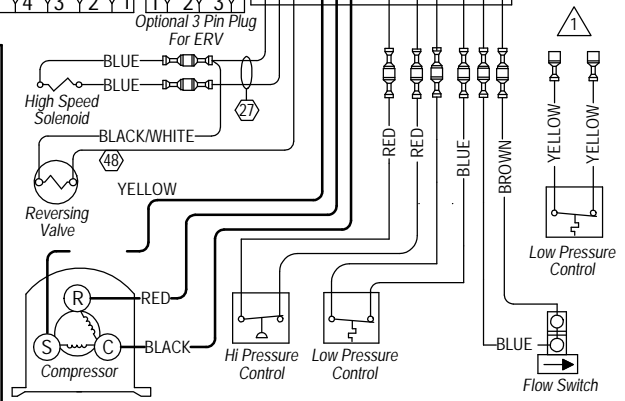


230/208 VOLT PACKAGE UNIT DIAGRAM

- 1 FOR ANTIFREEZE LOOP APPLICATIONS, CONNECT THE LOW PRESSURE SWITCH WITH YELLOW LEADS IN PLACE OF THE LOW PRESSURE SWITCH WITH BLUE LEADS. ONE LEAD WILL CONNECT TO BROWN LEAD FROM THE FLOW SWITCH, AND THE OTHER WILL CONNECT TO THE YELLOW LEAD COMING FROM THE LPC TERMINAL OF THE COMPRESSOR CONTROL MODULE.
- 2 FOR 208V OPERATION, MOVE THIS RED WIRE TO 208V TRANSFORMER TAP
- 3 REMOVE WIRE FROM TERMINAL Y2 AND TAPE OFF WHEN LOWER FULL LOAD CFM DESIRED

CAPACITOR CHART	
MODEL	CAPACITOR
QW2S	35/370
QW3S	40/370
QW4S	30/370
QW5S	40/440



WARNING
USE COPPER CONDUCTORS ONLY SUITABLE FOR AT LEAST 75° C.

! DANGER
*ELECTRICAL SHOCK HAZARD.
*DISCONNECT POWER BEFORE SERVICING.

99 Wire Identification numbers for Bard use only.

	Factory	Field	Optional
High Voltage			
Low Voltage			

4113-102 C