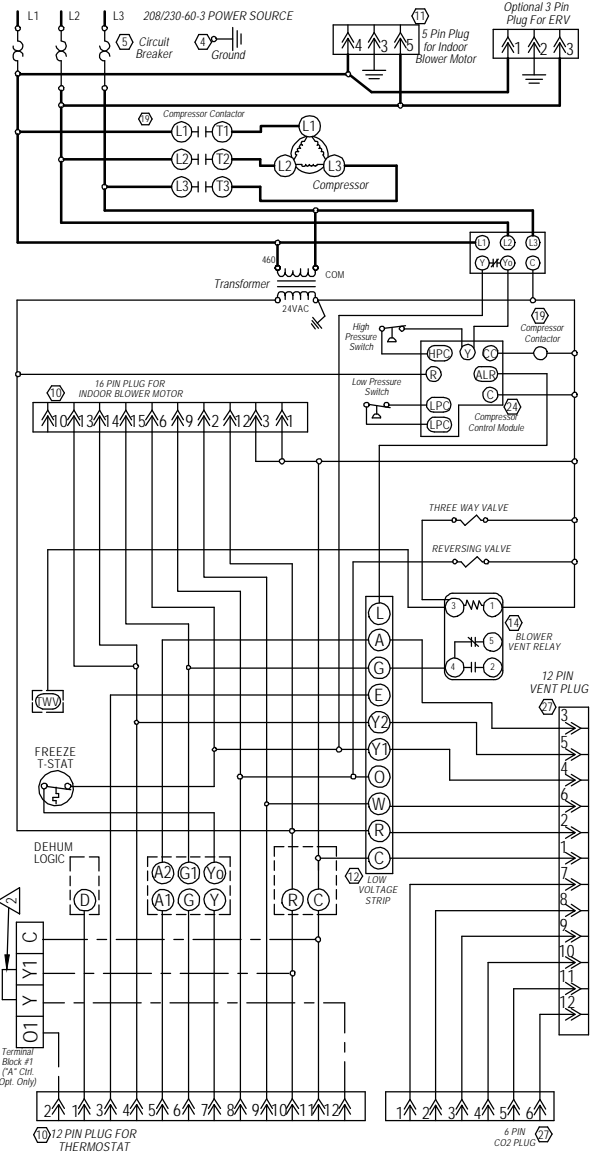
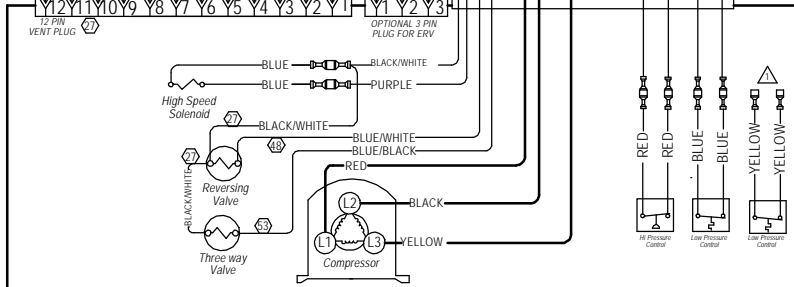


460 VOLT PACKAGE UNIT DIAGRAM

- 1 FOR ANTIFREEZE LOOP APPLICATIONS, CHANGE LOW PRESSURE SWITCH TO YELLOW LEADS ON YELLOW WIRES COMING OFF OF COMPRESSOR CONTROL MODULE "LPC" TERMINALS
- 2 FOR 208 VOLT OPERATION, MOVE THIS RED WIRE TO 208 VOLT TRANSFORMER TAP
- 3 REMOVE JUMPER WHEN CS2000 ENERGY MONITOR IS INSTALLED
- 4 REMOVE WIRE FROM TERMINAL Y2 AND TAPE OFF WHEN LOWER FULL LOAD CFM DESIRED



99 Wire Identification numbers for Bard use only.

**WARNING**  
USE COPPER CONDUCTORS ONLY SUITABLE FOR AT LEAST 75° C.

	Factory	Field	Optional
High Voltage			
Low Voltage			

**DANGER**  
ELECTRICAL SHOCK HAZARD  
DISCONNECT POWER BEFORE SERVICING.

**Bard**  
SINCE 1984  
Bard Mfg. Co.  
Bryan, Ohio  
4113-201