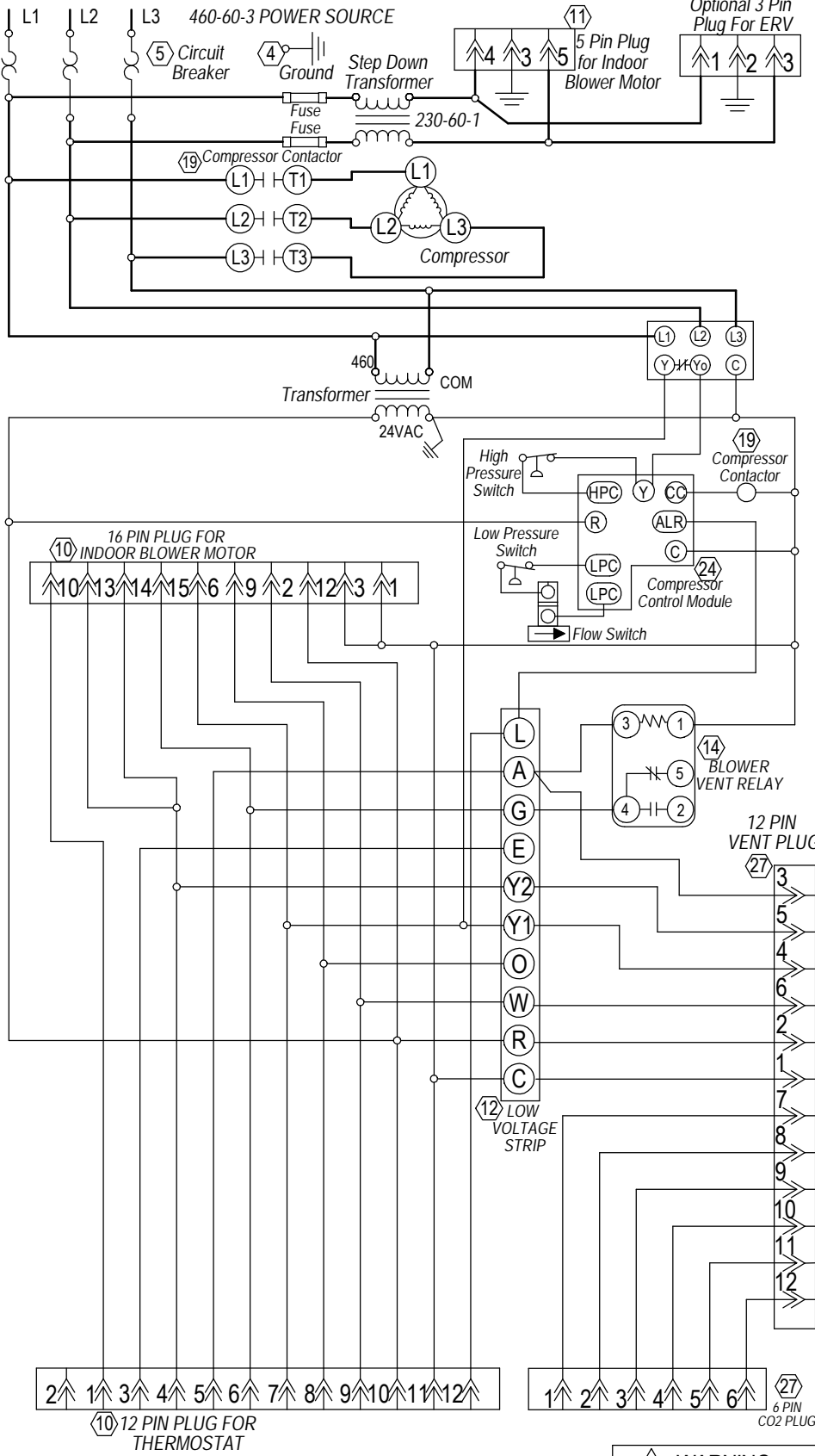


1 FOR ANTIFREEZE LOOP APPLICATIONS, CONNECT THE LOW PRESSURE SWITCH WITH YELLOW LEADS IN PLACE OF THE LOW PRESSURE SWITCH WITH BLUE LEADS. ONE LEAD WILL CONNECT TO BROWN LEAD FROM THE FLOW SWITCH, AND THE OTHER WILL CONNECT TO THE YELLOW LEAD COMING FROM THE LPC TERMINAL OF THE COMPRESSOR CONTROL MODULE.

2 REMOVE WIRE FROM TERMINAL Y2 AND TAPE OFF WHEN LOWER FULL LOAD CFM DESIRED

STEPDOWN TRANSFORMER CLASS CC FUSE		
MODEL	W / ERV	NO ERV
QW2S	5	3.2
QW3S	5	3.2
QW4S	7	3.2
QW5S	7	5



**DANGER**  
ELECTRICAL SHOCK HAZARD  
DISCONNECT POWER BEFORE SERVICING.

**WARNING**  
Wire Identification numbers for Bard use only.

**WARNING**  
USE COPPER CONDUCTORS.  
ONLY SUITABLE FOR AT LEAST 75° C.

	Factory	Field	Optional
High Voltage			
Low Voltage			

4113-300 D