

460 VOLT PACKAGE UNIT DIAGRAM

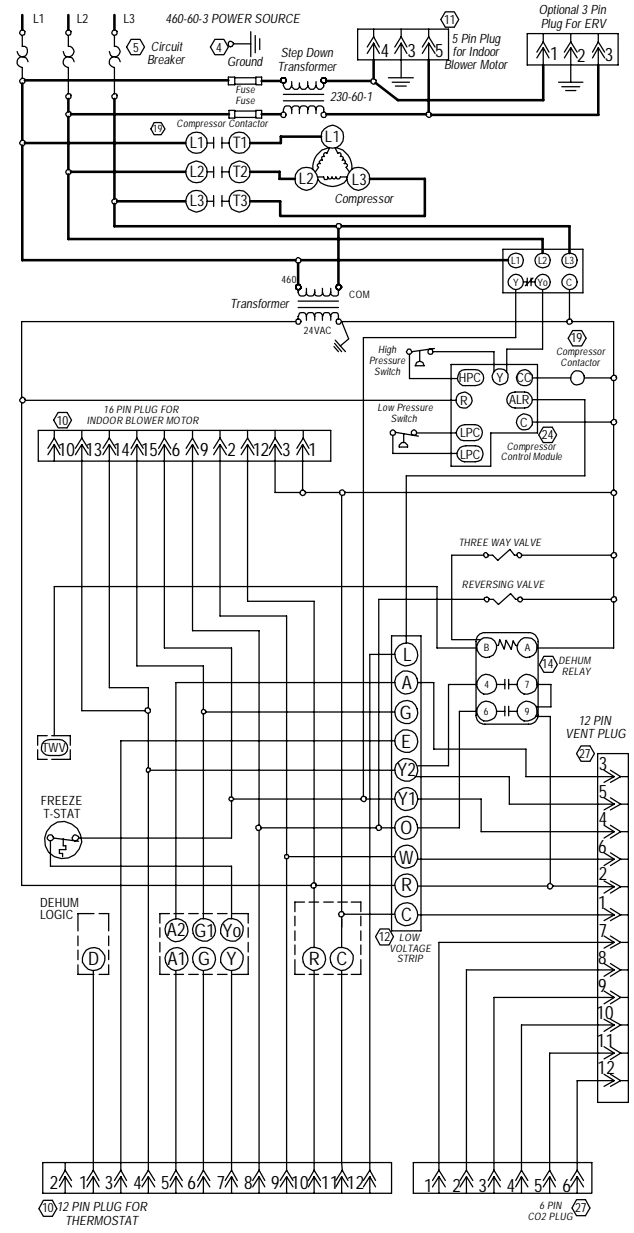
1 FOR ANTIFREEZE LOOP APPLICATIONS, CHANGE LOW PRESSURE SWITCH TO YELLOW LEADS ON YELLOW WIRES COMING OFF OF COMPRESSOR CONTROL MODULE "LPC" TERMINALS

2 REMOVE WIRE FROM TERMINAL Y2 AND TAPE OFF WHEN LOWER FULL LOAD CFM DESIRED

MODEL	W / ERV	NO ERV
QW2S	5	3.2
QW3S	5	3.2
QW4S	7	3.2
QW5S	7	5

STEPDOWN TRANSFORMER CLASS CC FUSE

! DANGER
ELECTRICAL SHOCK HAZARD. DISCONNECT POWER BEFORE SERVICING.



99 Wire Identification numbers for Bard use only.

! WARNING
USE COPPER CONDUCTORS ONLY SUITABLE FOR AT LEAST 75° C.

	Factory	Field	Optional
High Voltage			
Low Voltage			

Bard
SINCE 1914
Bard Mfg. Co.
Bryan, Ohio
4113-301 C