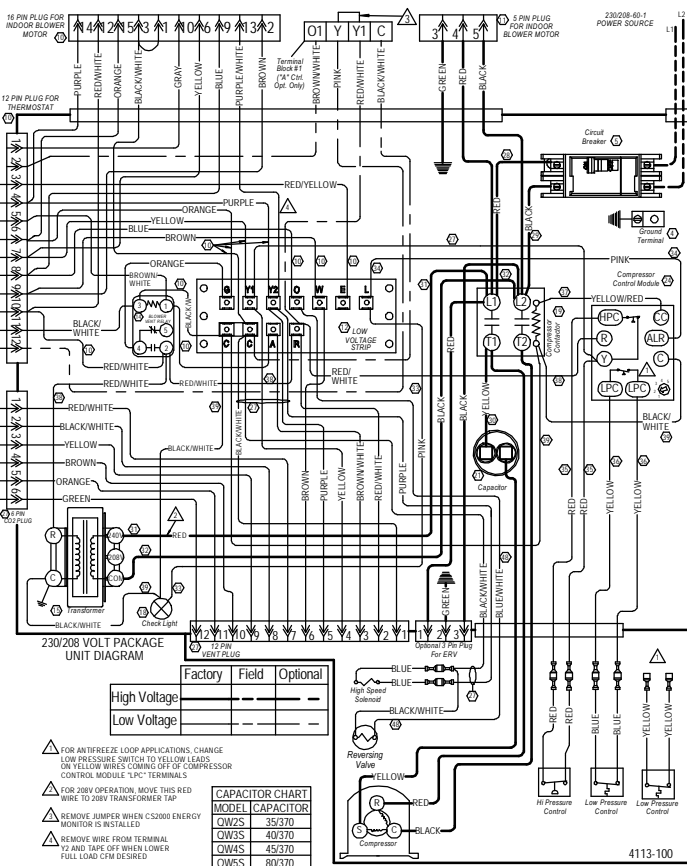
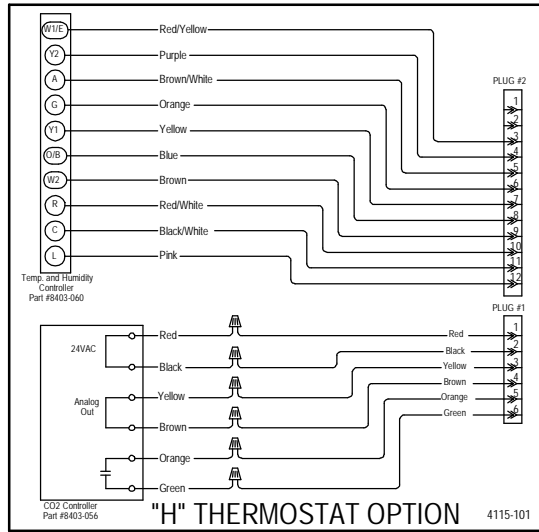
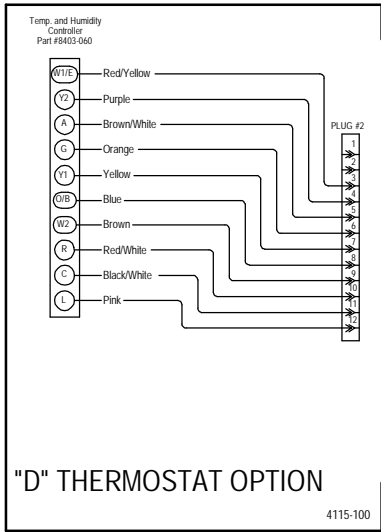
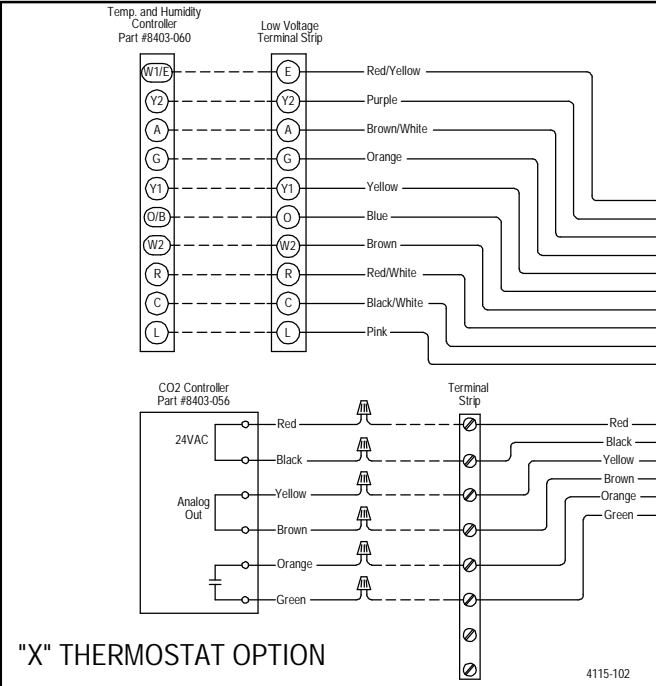
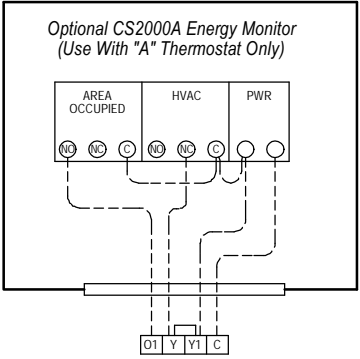


COMPOSITE WIRING DIAGRAM 230/208/60-1



- FOR ANTI-FREEZE LOOP APPLICATIONS, CHANGE LOW PRESSURE SWITCH TO YELLOW LEADS OR YELLOW WIRES COMING OFF OF COMPRESSOR CONTROL MODULE "LPC" TERMINALS
- FOR 200V OPERATION, MOVE THIS RED WIRE TO 208V TRANSFORMER TAP
- REMOVE JUMPER WHEN CS2000 ENERGY MONITOR IS INSTALLED
- REMOVE WIRE FROM TERMINAL #2 AND TAP OFF WHEN LOWER FULL LOAD CFM DESIRED

Wire identification numbers for Bard use only.

DANGER
ELECTRICAL SHOCK HAZARD
DISCONNECT POWER BEFORE SERVICING.

WARNING
USE COPPER CONDUCTORS
ONLY SATISFACTORY FOR AT LEAST 75°C

Bard Mfg. Co.
Bryan, Ohio
4113C100 A