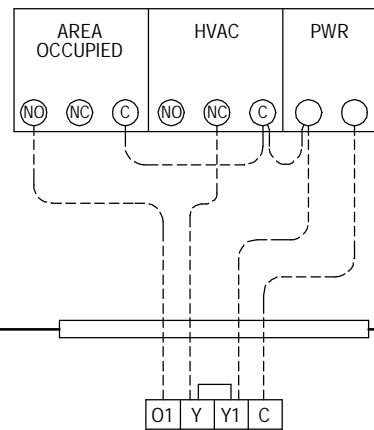
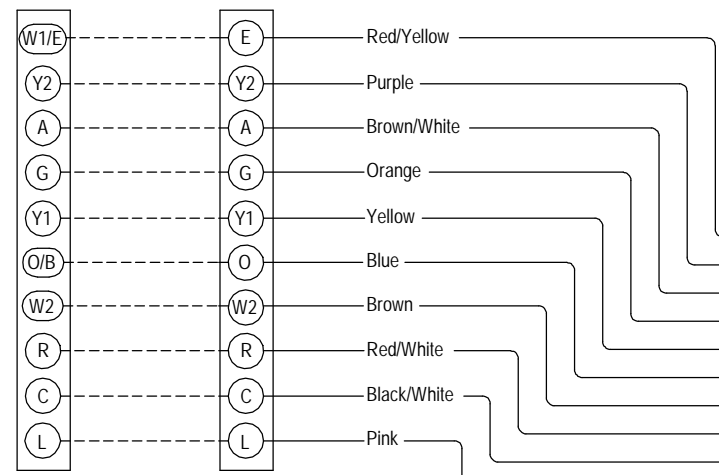


COMPOSITE WIRING DIAGRAM 230/208/60-1

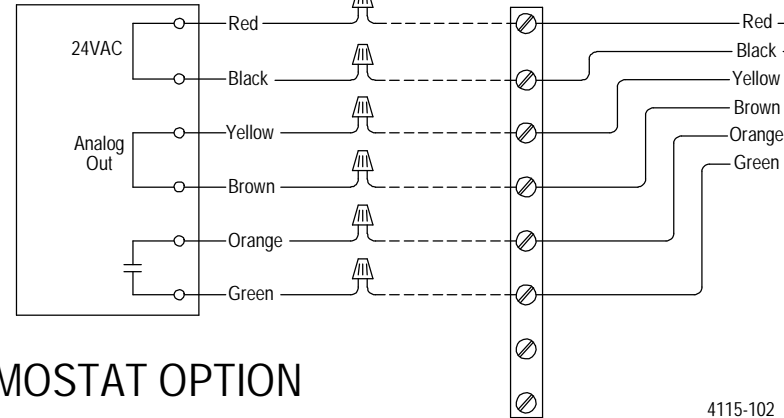
Optional CS2000A Energy Monitor (Use With "A" Thermostat Only)



Temp. and Humidity Controller Part #8403-060



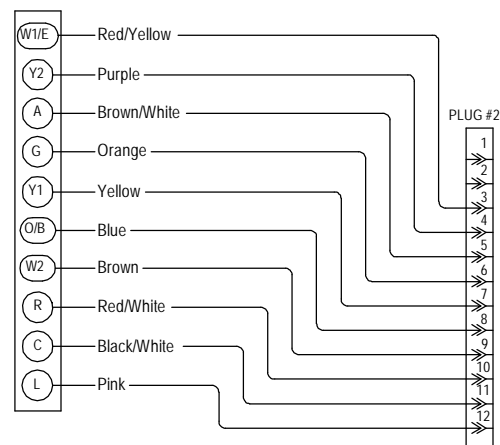
CO2 Controller Part #8403-056



"X" THERMOSTAT OPTION

4115-102

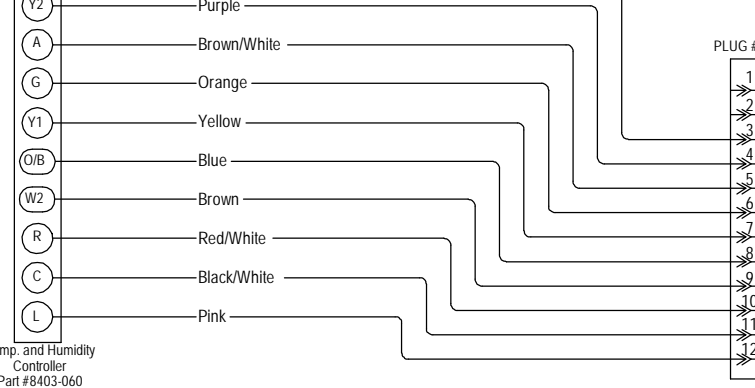
Temp. and Humidity Controller Part #8403-060



"D" THERMOSTAT OPTION

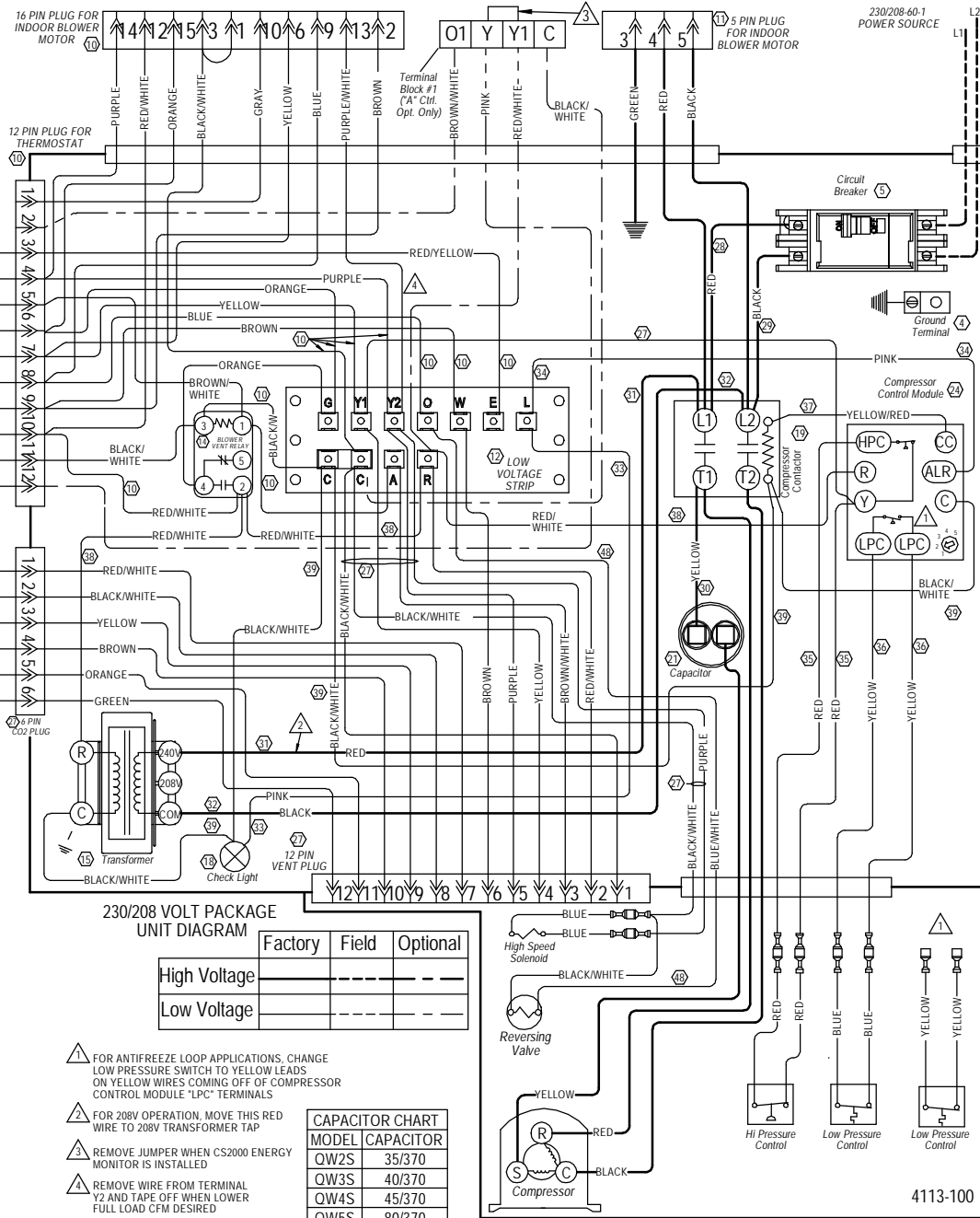
4115-100

Temp. and Humidity Controller Part #8403-060



"H" THERMOSTAT OPTION

4115-101



⚠ FOR ANTIFREEZE LOOP APPLICATIONS, CHANGE LOW PRESSURE SWITCH TO YELLOW LEADS ON YELLOW WIRES COMING OFF OF COMPRESSOR CONTROL MODULE "LPC" TERMINALS

⚠ FOR 208V OPERATION, MOVE THIS RED WIRE TO 208V TRANSFORMER TAP

⚠ REMOVE JUMPER WHEN CS2000 ENERGY MONITOR IS INSTALLED

⚠ REMOVE WIRE FROM TERMINAL Y2 AND TAPE OFF WHEN LOWER FULL LOAD CFM DESIRED

Wire Identification numbers for Bard use only.

DANGER
ELECTRICAL SHOCK HAZARD
DISCONNECT POWER BEFORE
SERVICING.

WARNING
USE COPPER CONDUCTORS
ONLY SUITABLE FOR AT LEAST
75°C.

Bard
Bard Mfg. Co.
Bryan, Ohio
4113C100