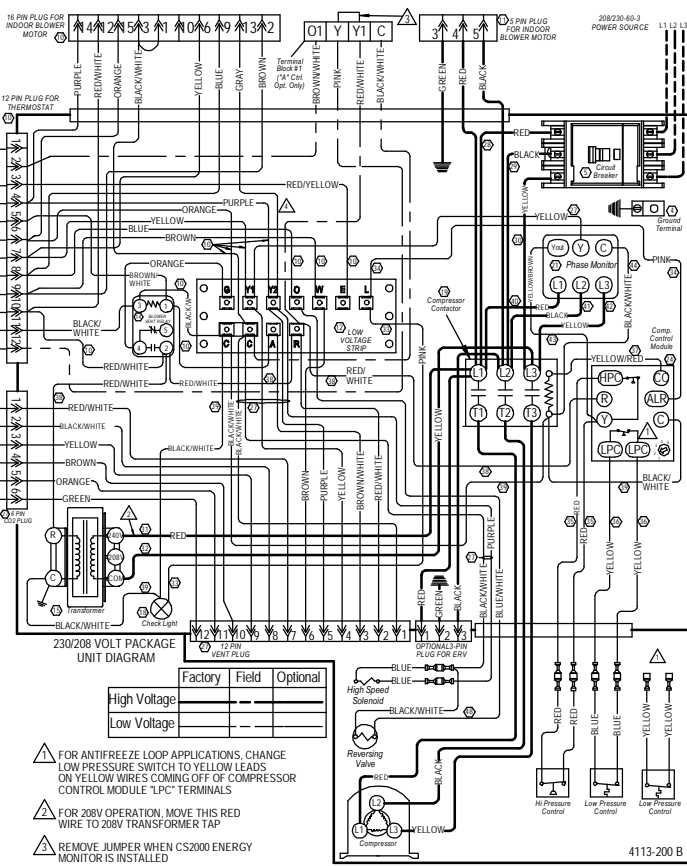
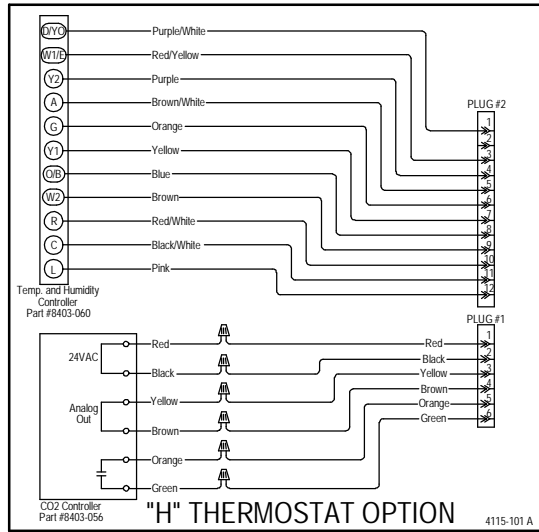
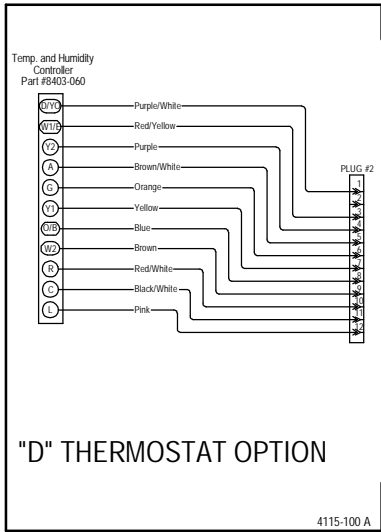
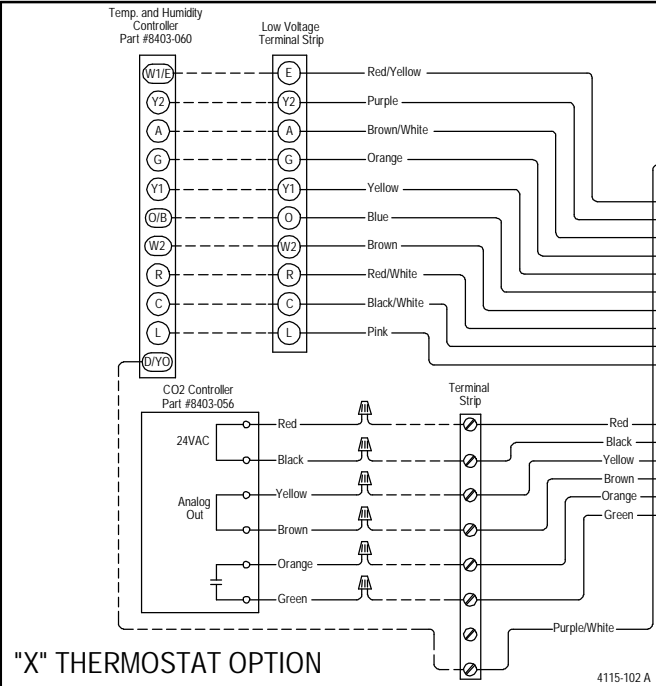
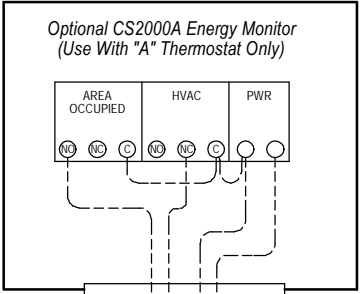


COMPOSITE WIRING DIAGRAM 230/208/60-3



	Factory	Field	Optional
High Voltage			
Low Voltage			

- ⚠️ FOR ANTIFREEZE LOOP APPLICATIONS, CHANGE LOW PRESSURE SWITCH TO YELLOW LEADS ON YELLOW WIRES COMING OFF OF COMPRESSOR CONTROL MODULE "LPC" TERMINALS
- ⚠️ FOR 208V OPERATION, MOVE THIS RED WIRE TO 208V TRANSFORMER TAP
- ⚠️ REMOVE JUMPER WHEN CS2000 ENERGY MONITOR IS INSTALLED
- ⚠️ REMOVE WIRE FROM TERMINAL Y2 AND TAPE OFF WHEN LOWER FULL LOAD CFM DESIRED

Wire Identification numbers for Bard use only.

DANGER
ELECTRICAL SHOCK HAZARD.
DISCONNECT POWER BEFORE SERVICING.

WARNING
USE COMPRESSOR CONDUCTORS ONLY. SUFFICIENT FOR AT LEAST 25°C.

Bard Mfg. Co.
Bryan, Ohio
4113C200 B