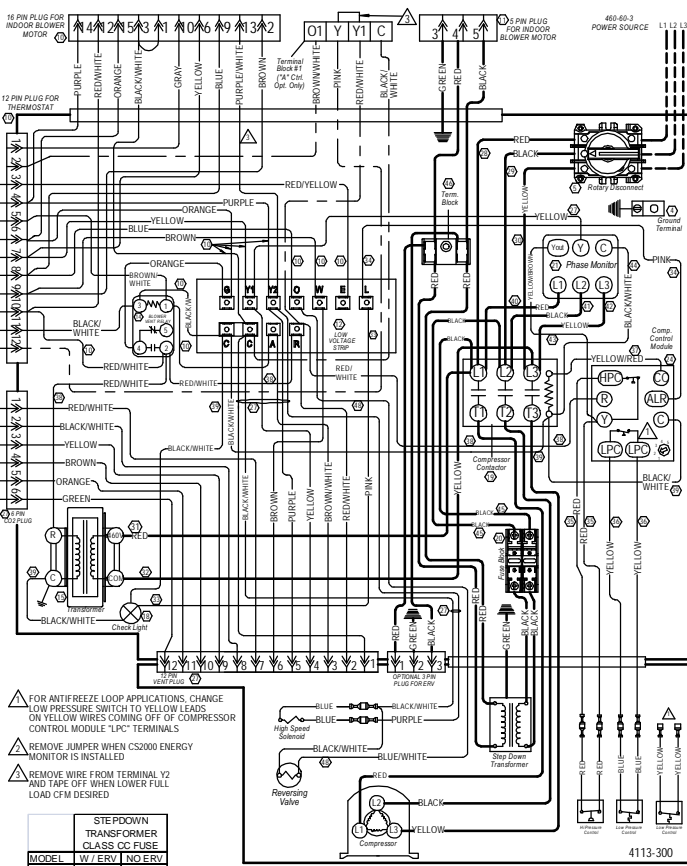
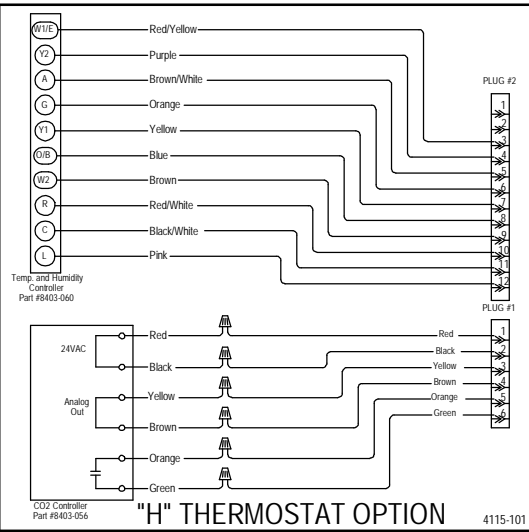
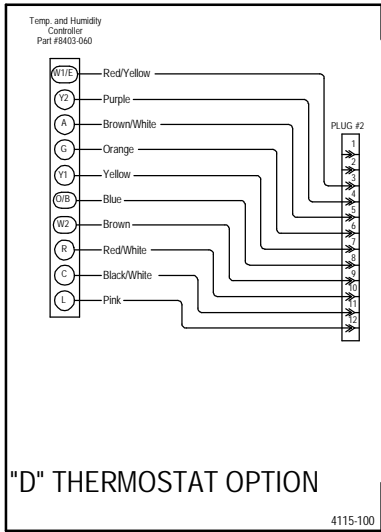
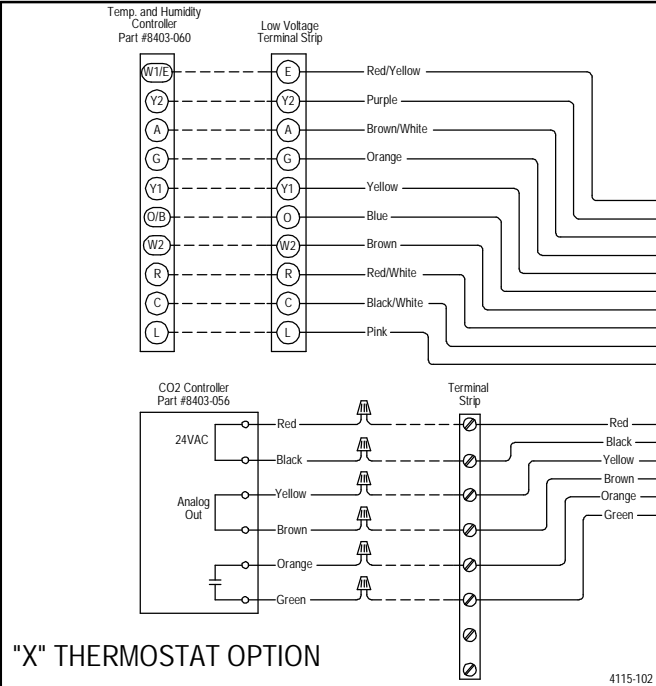
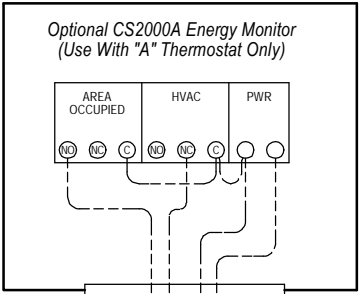


COMPOSITE WIRING DIAGRAM 460/60-3



- ▲ FOR ANTIFREEZE LOOP APPLICATIONS, CHANGE LOW PRESSURE SWITCH TO YELLOW LEADS ON YELLOW WIRES COMING OFF OF COMPRESSOR CONTROL MODULE "LPC" TERMINALS
- ▲ REMOVE JUMPER WHEN CS2000 ENERGY MONITOR IS INSTALLED
- ▲ REMOVE WIRE FROM TERMINAL Y2 AND TAP OFF WHEN LOWER FULL LOAD CFM DESIRED

MODEL	W	ERV	NO ERV
GW2S	5	3.2	
GW3S	5	3.2	
GW4S	7	3.2	
GW5S	7	5	

	Factory	Field	Optional
High Voltage			
Low Voltage			

Wire identification numbers for Bard use only.

DANGER
ELECTRICAL SHOCK HAZARD
DISCONNECT POWER BEFORE SERVICING

WARNING
USE COPPER CONDUCTORS
ONLY SATISFACTORY FOR AT LEAST
75°C

Bard Mfg. Co.
Bryan, Ohio

4113C300 A