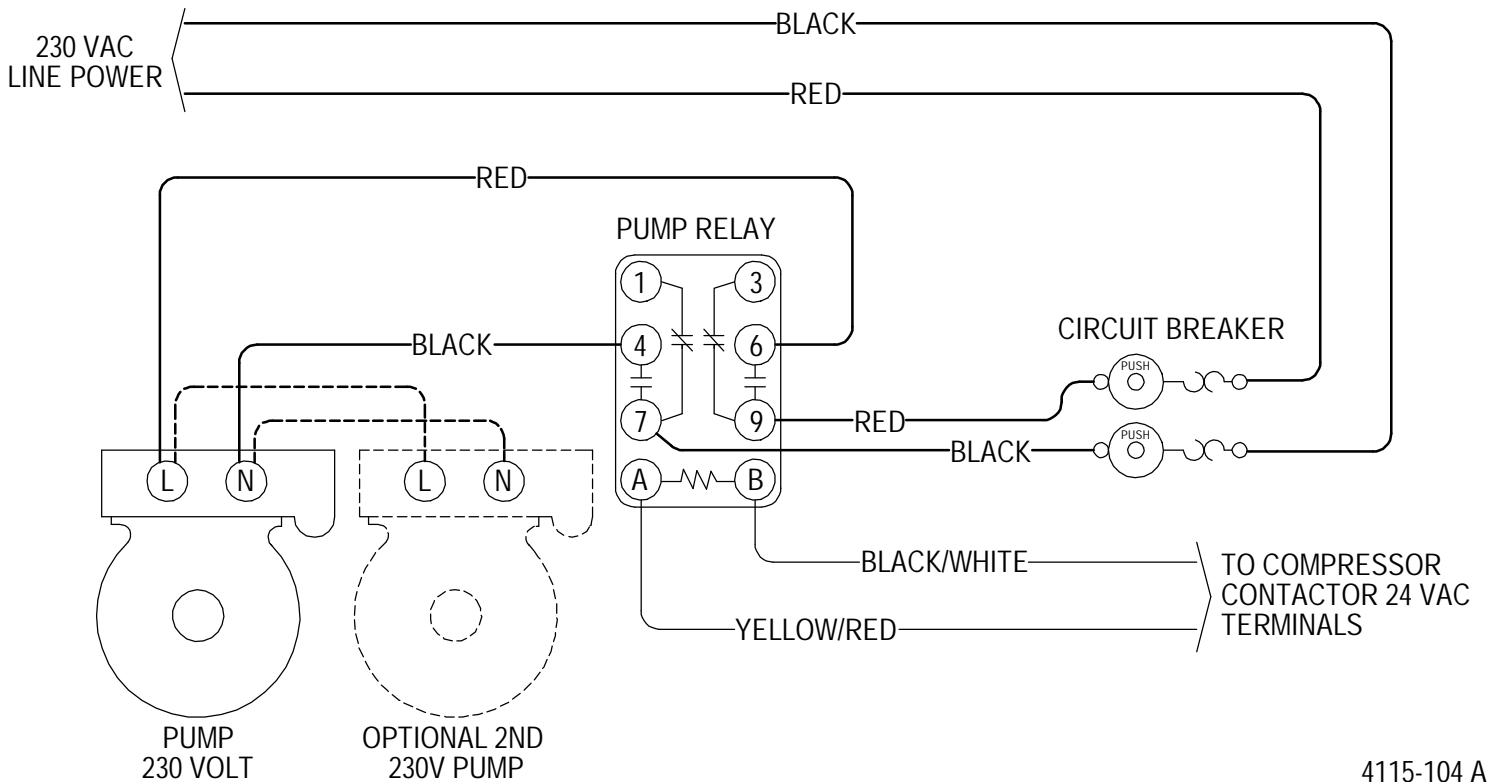


230 VOLT MODELS: CONNECTS TO COMPRESSOR CONTACTOR "L1" AND "L2" TERMINALS

460 VOLT MODELS: CONNECT TO 230V TERMINAL BLOCK WITH INDOOR MOTOR POWER FROM STEP DOWN TRANSFORMER



230 VOLT MODELS: CONNECTS TO COMPRESSOR CONTACTOR "L1" AND "L2" TERMINALS

460 VOLT MODELS: CONNECT TO 230V TERMINAL BLOCK WITH INDOOR MOTOR POWER FROM STEP DOWN TRANSFORMER

