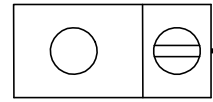


# 208/240-60-1 Line Power Per Nameplate

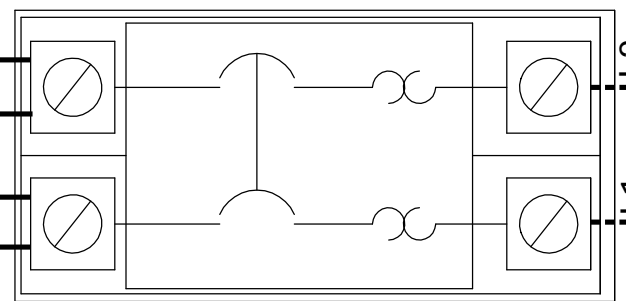
**WARNING**  
USE COPPER CONDUCTORS  
ONLY SUITABLE FOR AT LEAST  
75° C.

**DANGER**  
\*ELECTRICAL SHOCK HAZARD  
\*DISCONNECT POWER BEFORE  
SERVICING.

GROUND  
TERMINAL

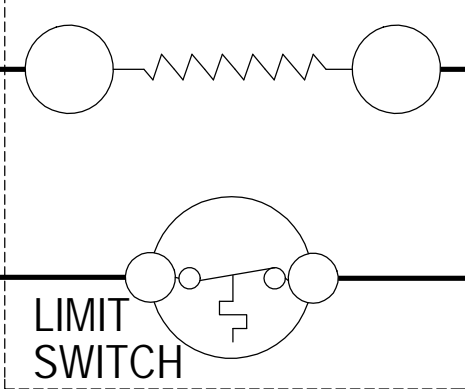
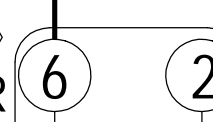


CIRCUIT BREAKER <sup>26</sup>



<sup>6</sup> 4 or 5 KW 240V  
ELEC. HEAT STRIP

HEATER  
CONTACTOR <sup>8</sup>



RELAY <sup>10</sup>



BLACK/WHITE  
BROWN

RED/WHITE  
ORANGE

<sup>2</sup> THIS WIRE IS TAPED-OFF IN  
LOW VOLTAGE TERMINAL BOX.  
SEE LOW VOLTAGE WIRING SECTION  
IN INSTALLATION MANUAL.

<sup>1</sup> FOR 208 VOLT OPERATION,  
MOVE THIS RED WIRE TO  
208 VOLT TRANSFORMER TAP

<sup>99</sup> Wire Identification numbers  
for Bard use only.

	Factory	Field	Optional
High Voltage			
Low Voltage			