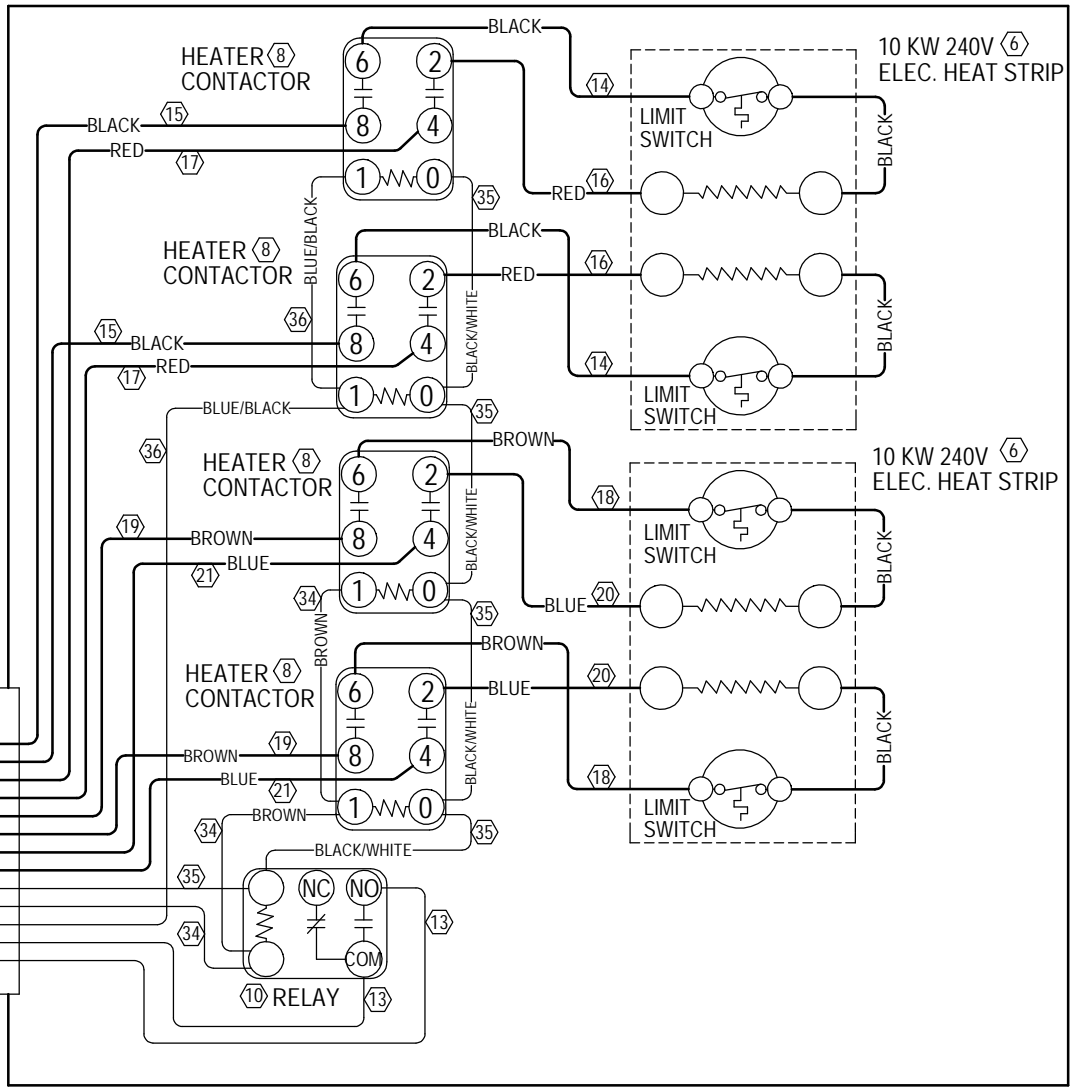
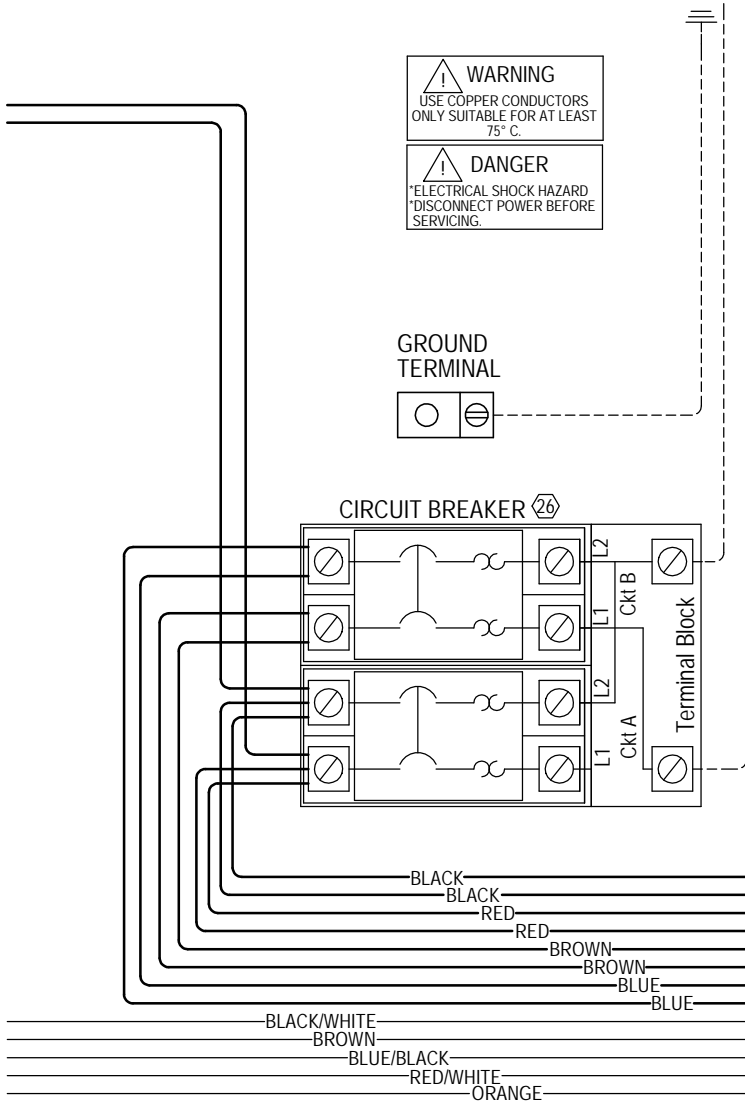


208/240-60-1 Line Power Per Nameplate

WARNING
USE COPPER CONDUCTORS
ONLY SUITABLE FOR AT LEAST
75° C.

DANGER
ELECTRICAL SHOCK HAZARD
DISCONNECT POWER BEFORE
SERVICING.



Unit Model Number	Single Circuit Breaker Size	Dual Circuit Breaker Size		Compressor Capacitor
		CKT. A	CKT. B	
I48H1-A20	110A	60 A	60 A	30/370
I60H1-A20	120A	60 A	60 A	40/440

1 FOR 208 VOLT OPERATION, MOVE THIS RED WIRE TO 208 VOLT TRANSFORMER TAP

99 Wire Identification numbers for Bard use only.

	Factory	Field	Optional
High Voltage	---	---	---
Low Voltage	---	---	---

