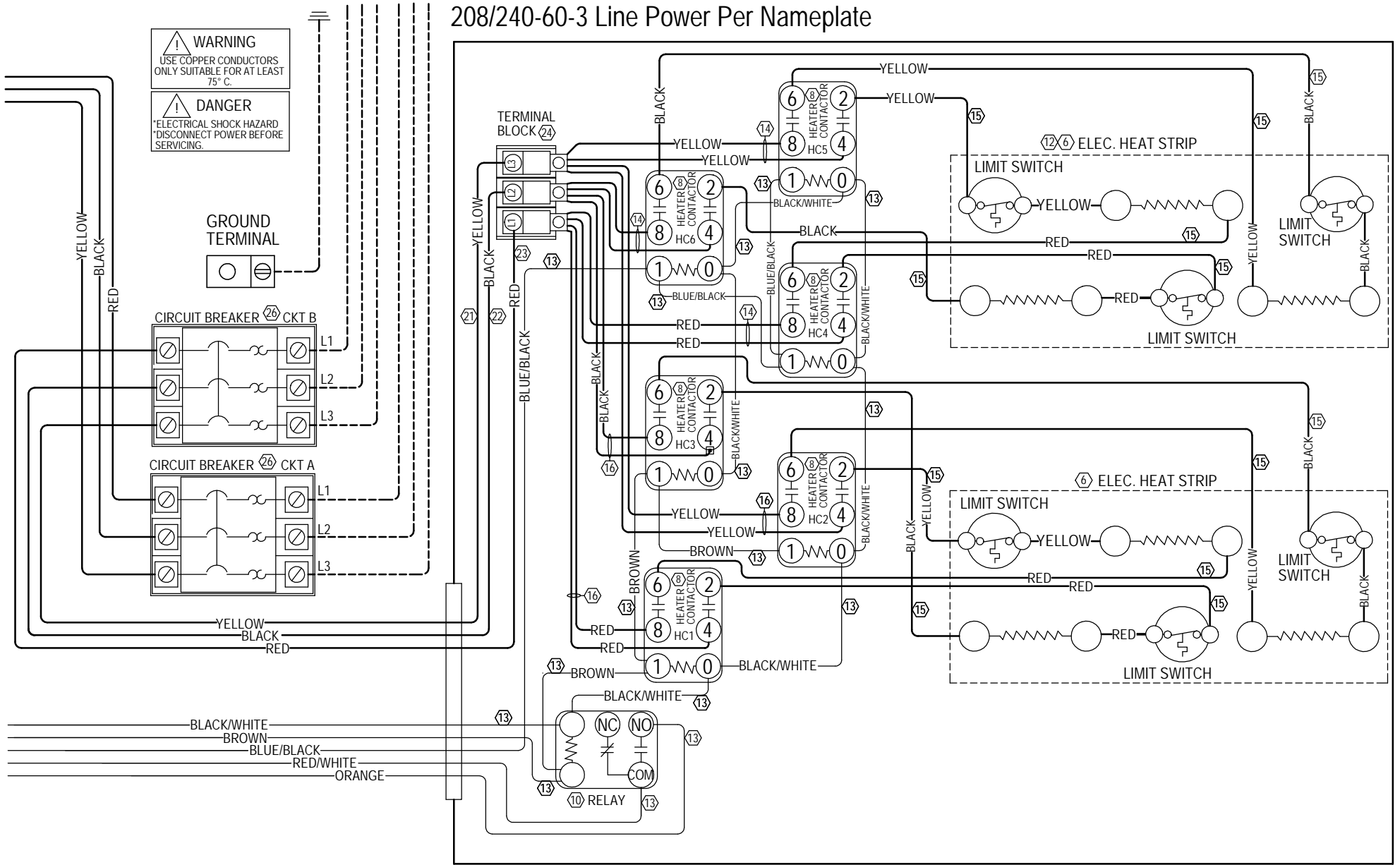


208/240-60-3 Line Power Per Nameplate



WARNING
USE COPPER CONDUCTORS
ONLY SUITABLE FOR AT LEAST
75° C.

DANGER
ELECTRICAL SHOCK HAZARD
DISCONNECT POWER BEFORE
SERVICING.

GROUND
TERMINAL

CIRCUIT BREAKER (26) CKT B

CIRCUIT BREAKER (26) CKT A

BLACK/WHITE
BROWN
BLUE/BLACK
RED/WHITE
ORANGE

Unit Model Number	Single Circuit Breaker Size	Dual Circuit Breaker Size	
		CKT. A	CKT. B
I60H1-B18	70A	45 A	60A
I60Z1-B18	70A	45A	60A

2 THIS WIRE IS TAPED-OFF IN LOW VOLTAGE TERMINAL BOX. SEE LOW VOLTAGE WIRING SECTION IN INSTALLATION MANUAL.

1 FOR 208 VOLT OPERATION, MOVE THIS RED WIRE TO 208 VOLT TRANSFORMER TAP

⁽⁹⁹⁾ Wire Identification numbers for Bard use only.

	Factory	Field	Optional
High Voltage		---	---
Low Voltage		---	---