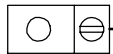


460-60-3 Line Power Per Nameplate

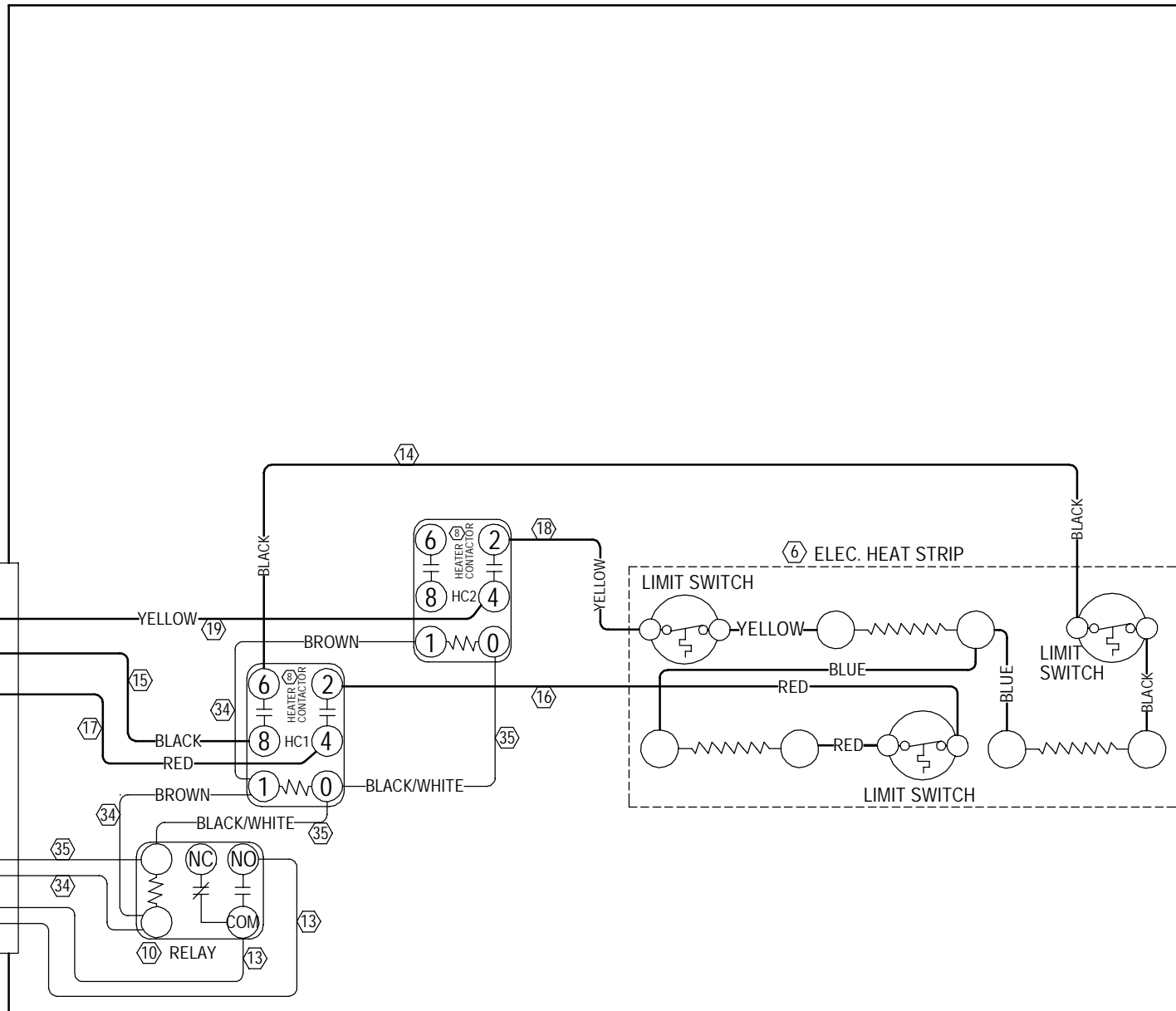
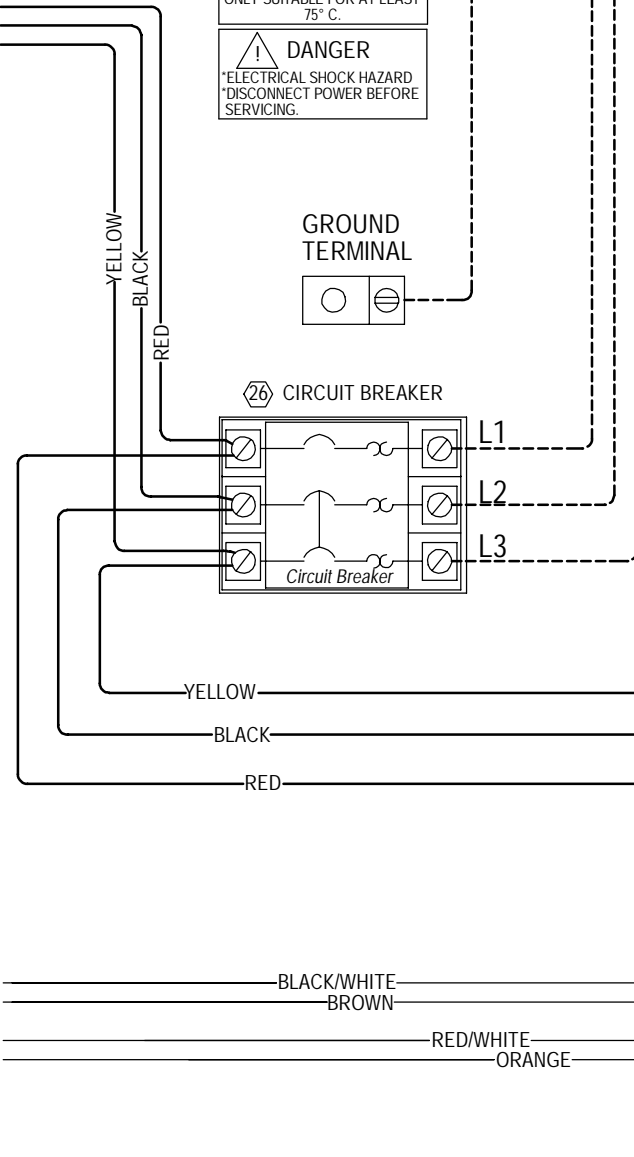
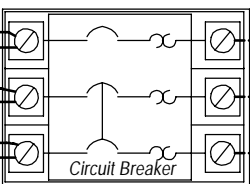
WARNING
USE COPPER CONDUCTORS
ONLY SUITABLE FOR AT LEAST
75° C.

DANGER
ELECTRICAL SHOCK HAZARD
DISCONNECT POWER BEFORE
SERVICING.

GROUND
TERMINAL



Ⓣ6 CIRCUIT BREAKER



Unit Model Number	Unit Model Number	CLASS CC Stepdown Transformer Fuse-W/Vent ²	CLASS CC Stepdown Transformer Fuse-No Vent ²
I36Z1CC06	I36Z1CC09	7A	5A
I48Z1CC06	I48Z1CC09	7A	5A
I60Z1CC06	I60Z1CC09	10A	7A

² THIS WIRE IS TAPED-OFF IN LOW VOLTAGE TERMINAL BOX. SEE LOW VOLTAGE WIRING SECTION IN INSTALLATION MANUAL.

¹ FOR 208 VOLT OPERATION, MOVE THIS RED WIRE TO 208 VOLT TRANSFORMER TAP

Ⓣ99 Wire Identification numbers for Bard use only.

	Factory	Field	Optional
High Voltage	_____	-----	----
Low Voltage	_____	-----	----

