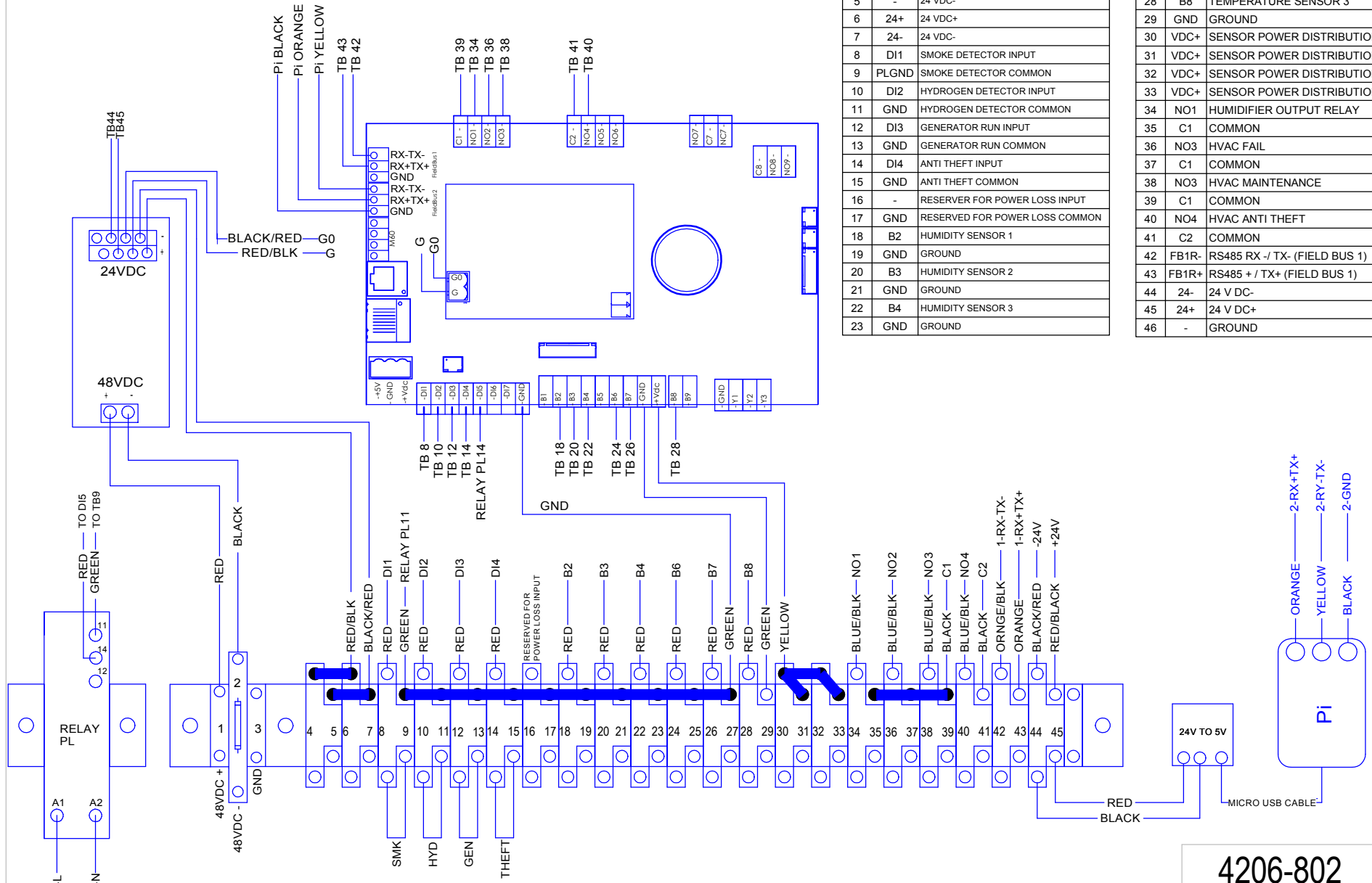




DANGER

* ELECTRICAL SHOCK HAZARD
* DISCONNECT POWER BEFORE
SERVICING



TB#	WIRE MARK	DESCRIPTION
1	48+	48 VDC+ INPUT
2	48+	48VDC- INPUT
3	-	GROUND
4	-	24 VDC+
5	-	24 VDC-
6	24+	24 VDC+
7	24-	24 VDC-
8	DI1	SMOKE DETECTOR INPUT
9	PLGND	SMOKE DETECTOR COMMON
10	DI2	HYDROGEN DETECTOR INPUT
11	GND	HYDROGEN DETECTOR COMMON
12	DI3	GENERATOR RUN INPUT
13	GND	GENERATOR RUN COMMON
14	DI4	ANTI THEFT INPUT
15	GND	ANTI THEFT COMMON
16	-	RESERVED FOR POWER LOSS INPUT
17	GND	RESERVED FOR POWER LOSS COMMON
18	B2	HUMIDITY SENSOR 1
19	GND	GROUND
20	B3	HUMIDITY SENSOR 2
21	GND	GROUND
22	B4	HUMIDITY SENSOR 3
23	GND	GROUND

TB#	WIRE MARK	DESCRIPTION
24	B6	TEMPERATURE SENSOR 1
25	GND	GROUND
26	B7	TEMPERATURE SENSOR 2
27	GND	GROUND
28	B8	TEMPERATURE SENSOR 3
29	GND	GROUND
30	VDC+	SENSOR POWER DISTRIBUTION
31	VDC+	SENSOR POWER DISTRIBUTION
32	VDC+	SENSOR POWER DISTRIBUTION
33	VDC+	SENSOR POWER DISTRIBUTION
34	NO1	HUMIDIFIER OUTPUT RELAY
35	C1	COMMON
36	NO3	HVAC FAIL
37	C1	COMMON
38	NO3	HVAC MAINTENANCE
39	C1	COMMON
40	NO4	HVAC ANTI THEFT
41	C2	COMMON
42	FB1R-	RS485 RX- / TX- (FIELD BUS 1)
43	FB1R+	RS485 + / TX+ (FIELD BUS 1)
44	24-	24 V DC-
45	24+	24 V DC+
46	-	GROUND

4206-802

6/14/2017