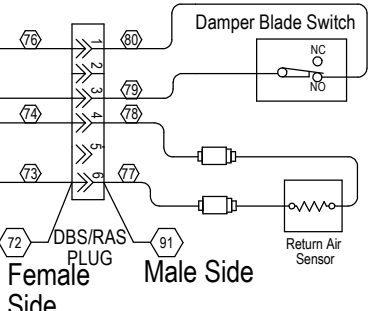
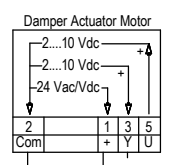
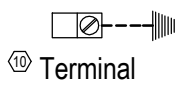
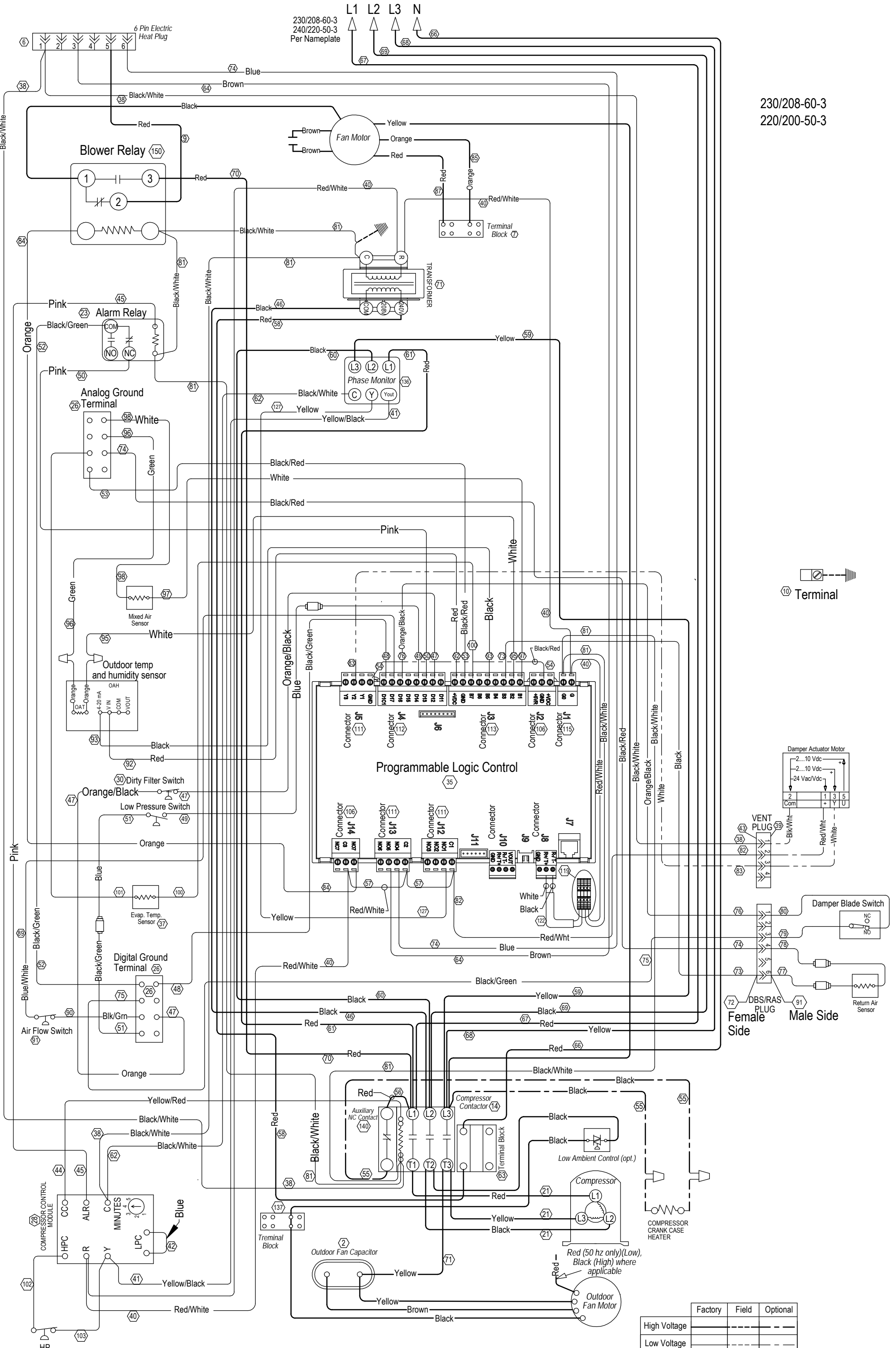


L1 L2 L3 N
 230/208-60-3
 240/220-50-3
 Per Nameplate

230/208-60-3
 220/200-50-3



Female Side Male Side

	Factory	Field	Optional
High Voltage			
Low Voltage			
D-10VDC			