

! DANGER

*ELECTRICAL SHOCK HAZARD
*DISCONNECT POWER BEFORE
SERVICING.

! WARNING

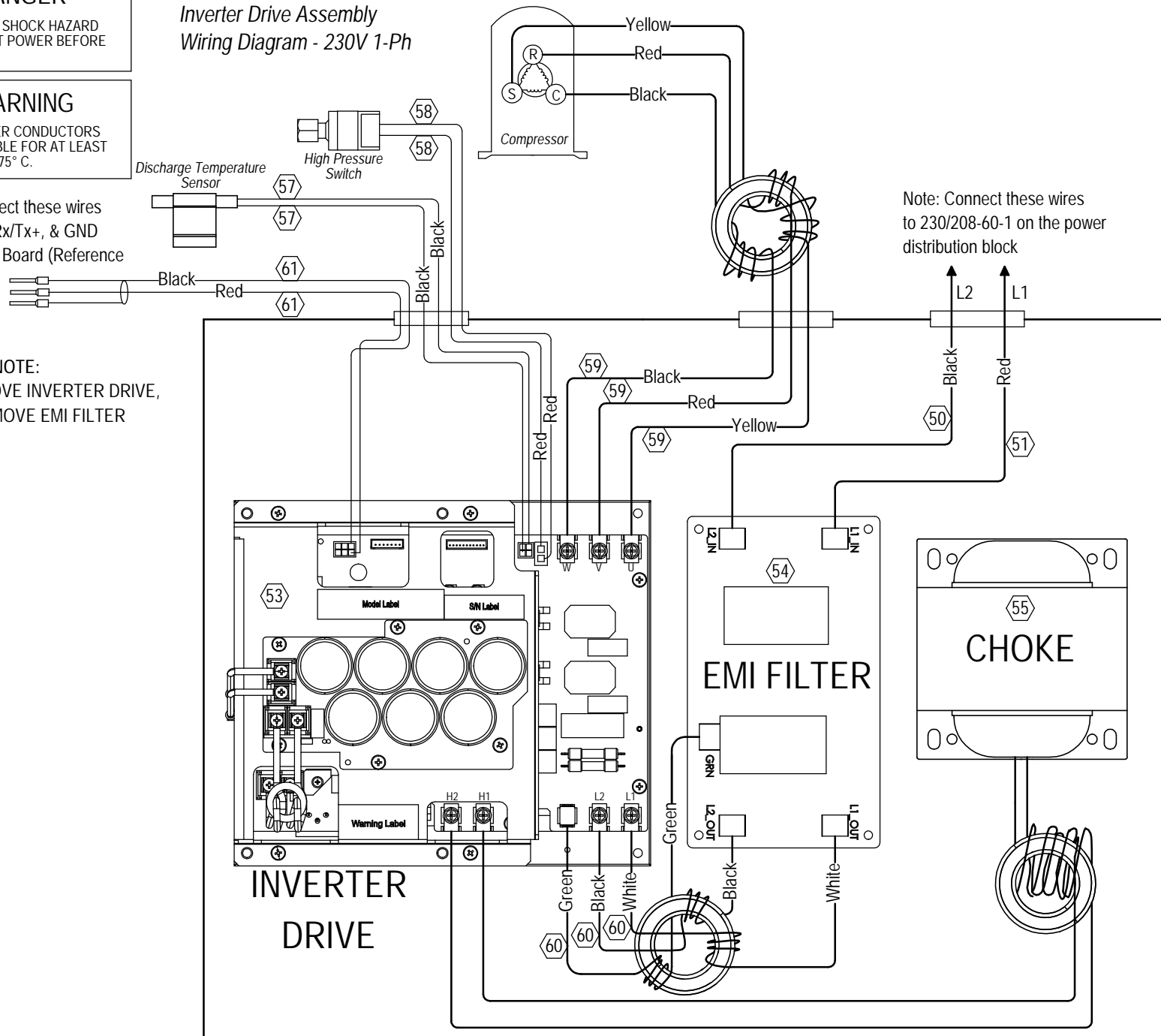
USE COPPER CONDUCTORS
ONLY SUITABLE FOR AT LEAST
75° C.

Note: Connect these wires
to Rx/Tx-, Rx/Tx+, & GND
on the PLC Board (Reference
4096-184)

SERVICE NOTE:

- TO REMOVE INVERTER DRIVE,
FIRST REMOVE EMI FILTER

*Inverter Drive Assembly
Wiring Diagram - 230V 1-Ph*



Note: Connect these wires
to 230/208-60-1 on the power
distribution block