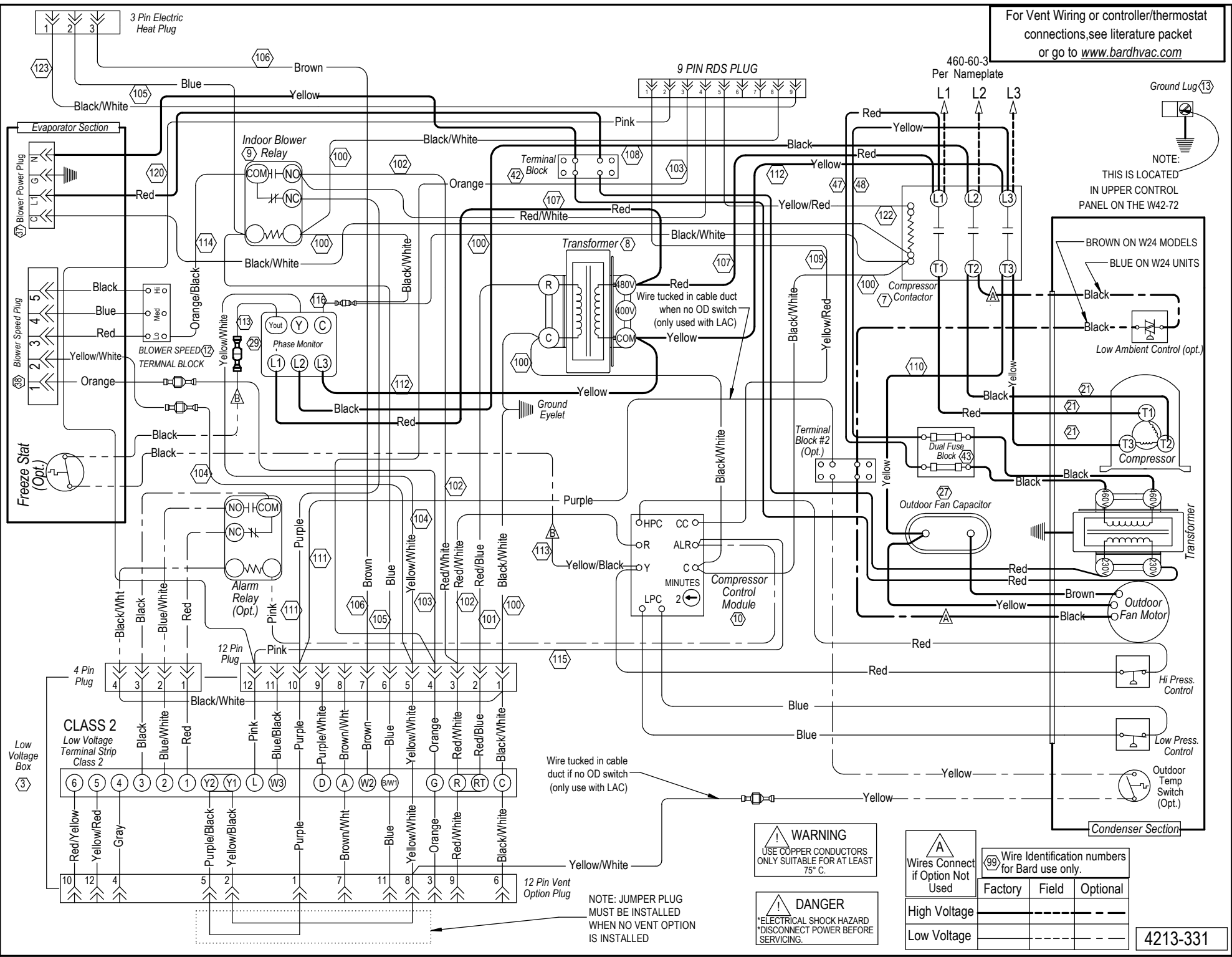
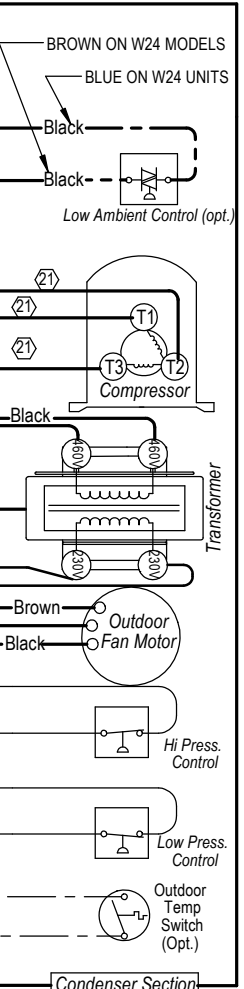


For Vent Wiring or controller/thermostat connections, see literature packet or go to www.bardhvac.com



NOTE:
THIS IS LOCATED
IN UPPER CONTROL
PANEL ON THE W42-72



BROWN ON W24 MODELS
BLUE ON W24 UNITS

WARNING
USE COPPER CONDUCTORS
ONLY SUITABLE FOR AT LEAST
75° C.

DANGER
ELECTRICAL SHOCK HAZARD
DISCONNECT POWER BEFORE
SERVICING.

A
Wires Connect
if Option Not
Used

Wire Identification numbers
for Bard use only.

	Factory	Field	Optional
High Voltage			
Low Voltage			

4213-331

NOTE: JUMPER PLUG
MUST BE INSTALLED
WHEN NO VENT OPTION
IS INSTALLED

Wire tucked in cable
duct if no OD switch
(only use with LAC)

Wire tucked in cable
duct if no OD switch
(only used with LAC)

Low Voltage
Box

CLASS 2
Low Voltage
Terminal Strip
Class 2

