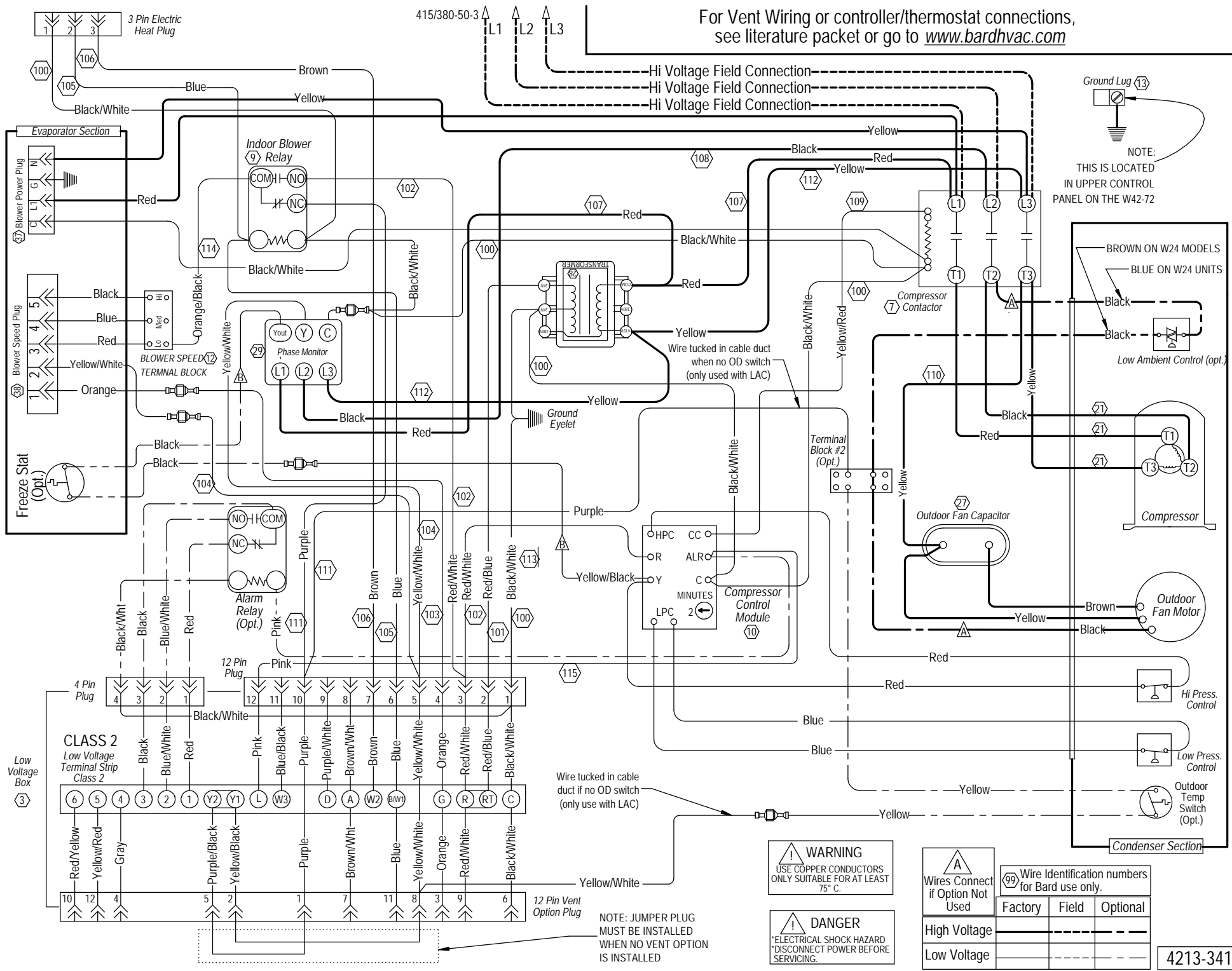


For Vent Wiring or controller/thermostat connections, see literature packet or go to www.bardhvac.com



NOTE:
THIS IS LOCATED
IN UPPER CONTROL
PANEL ON THE W42-72

BROWN ON W24 MODELS
BLUE ON W24 UNITS

Low Ambient Control (opt.)

Compressor

Outdoor Fan Motor

Hi Press. Control

Low Press. Control

Outdoor Temp Switch (Opt.)

Condenser Section

WARNING
USE COPPER CONDUCTORS
ONLY SUITABLE FOR AT LEAST
75° C.

DANGER
ELECTRICAL SHOCK HAZARD
DISCONNECT POWER BEFORE
SERVICING.

A
Wires Connect
if Option Not
Used

99 Wire Identification numbers
for Bard use only.

	Factory	Field	Optional
High Voltage			
Low Voltage			

4213-341

NOTE: JUMPER PLUG
MUST BE INSTALLED
WHEN NO VENT OPTION
IS INSTALLED