

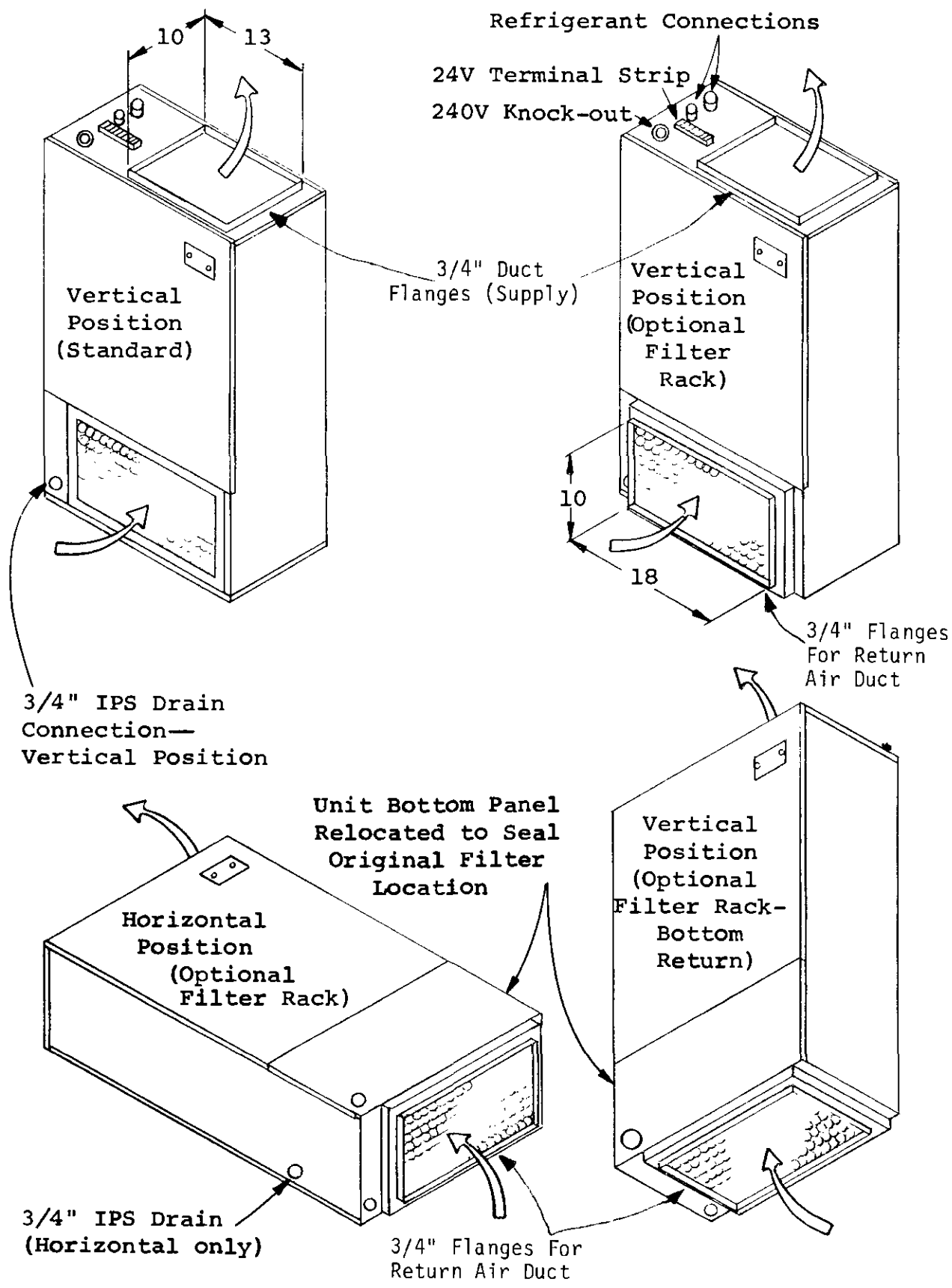
MANUAL 2100-012D

**MODELS
B18EQ1-B24EQ1
BLOWER COIL UNIT**

INSTALLATION INSTRUCTIONS

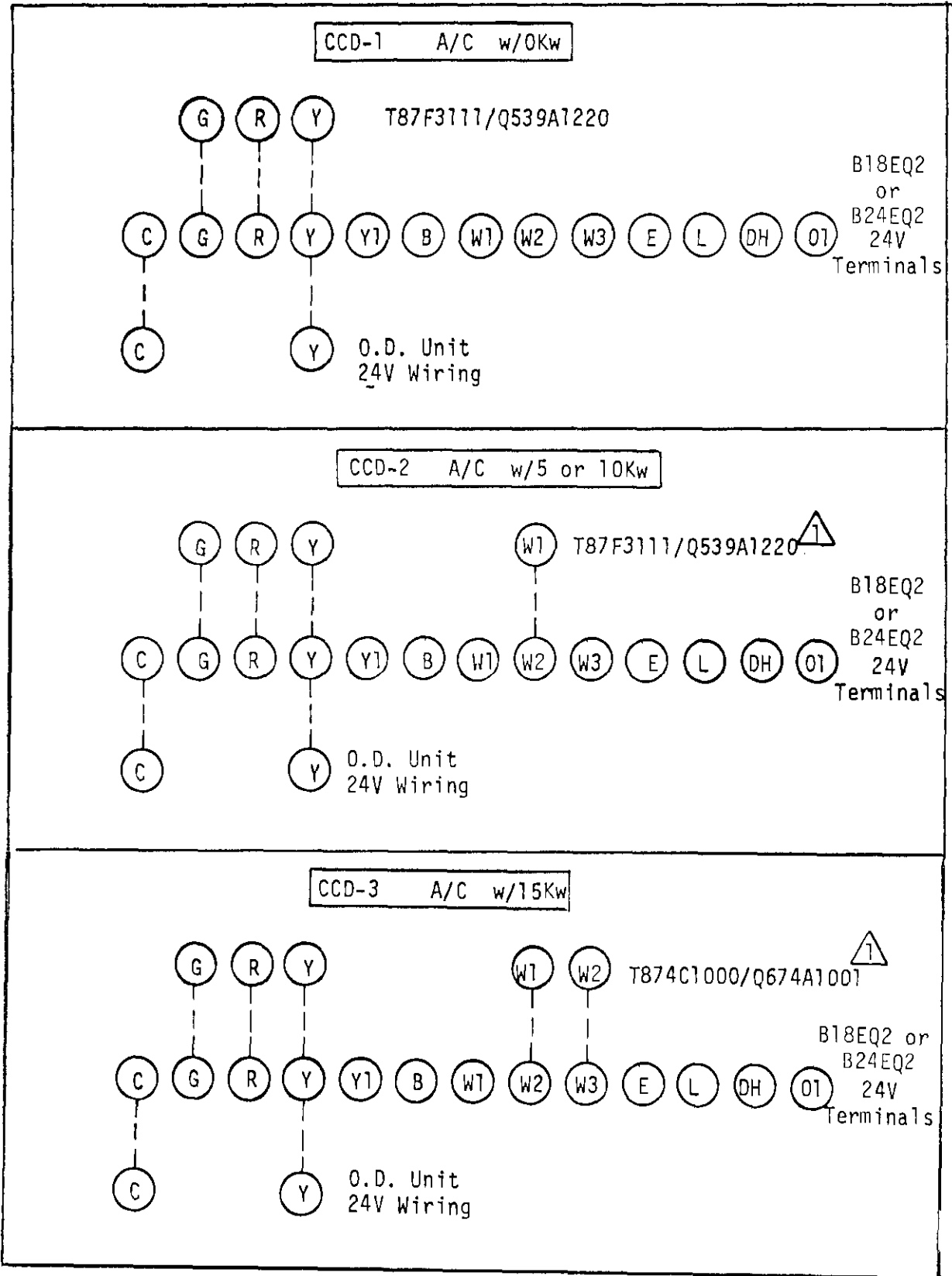
**FOR RESIDENTIAL AND COMMERCIAL
HEATING/COOLING APPLICATIONS**

MOUNTING POSITIONS AND RETURN AIR OPTIONS



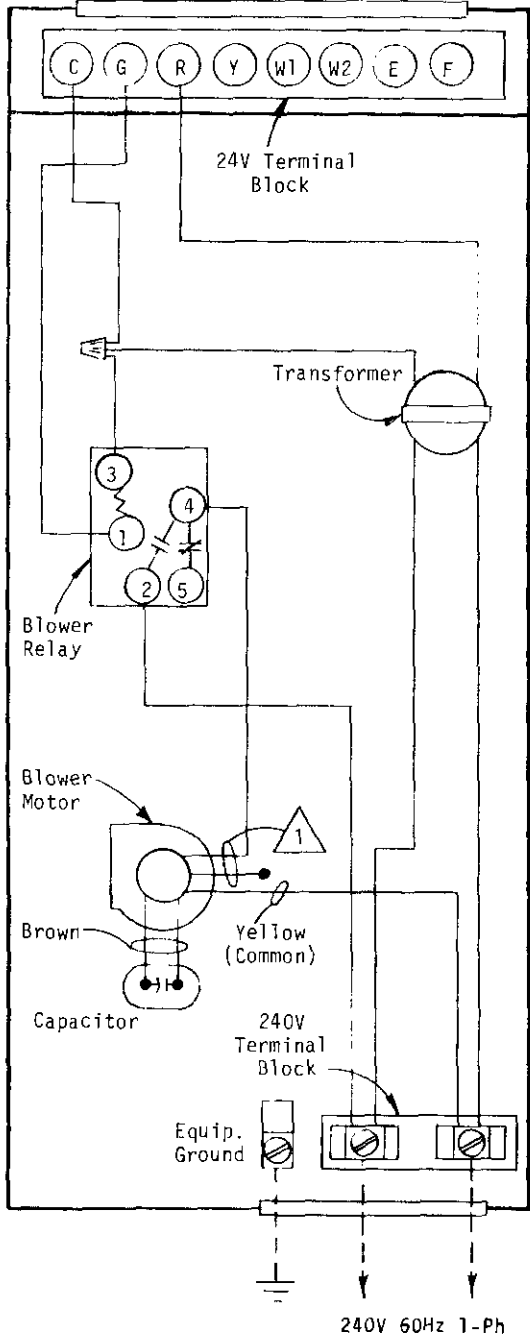
NOTE: If no return air duct is used, applicable installation codes may limit this cabinet to installation only in a single story structure.

24V CONTROL CIRCUIT CONNECTION DIAGRAMS



¹ Set adjustable heat anticipator at .40A.

NEC CLASS 2 Wiring
Refer To Installation Instructions



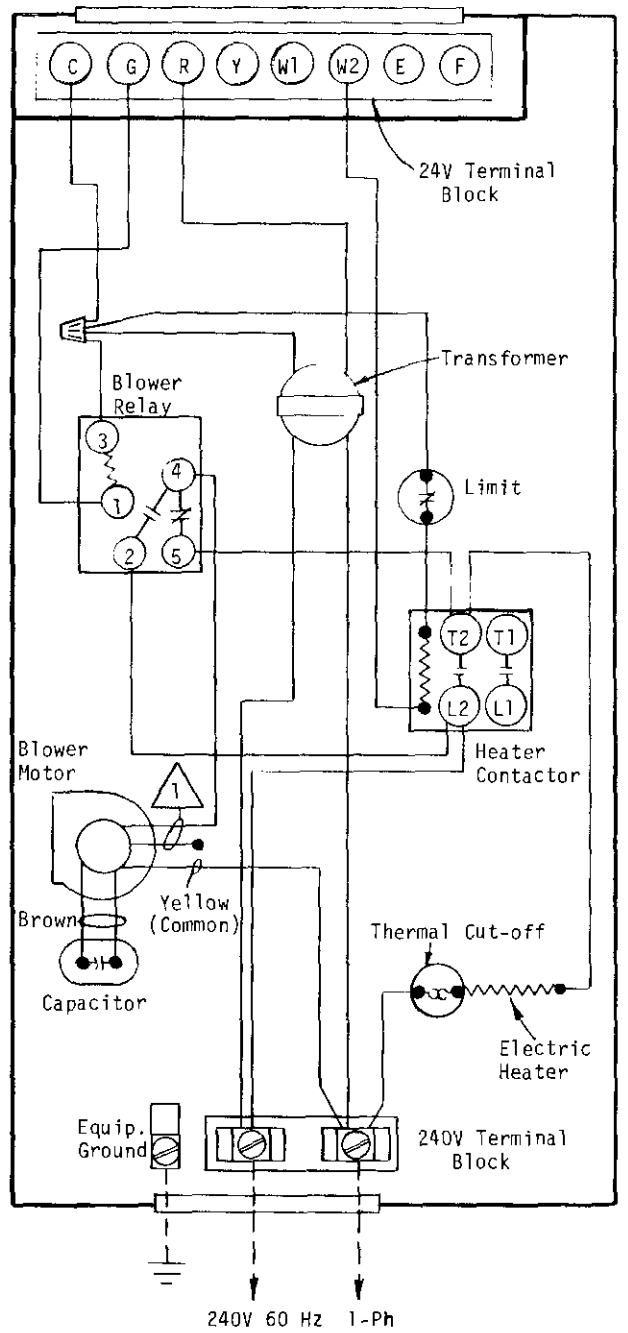
Factory Wiring ———
Field Wiring - - - - -

0Kw Model

⚠ All models factory connected on high speed (Black). 1-1/2 ton models only may be reconnected to low speed (Red) by installer.

4030-110

NEC Class 2 Wiring
Refer to Installation Instructions



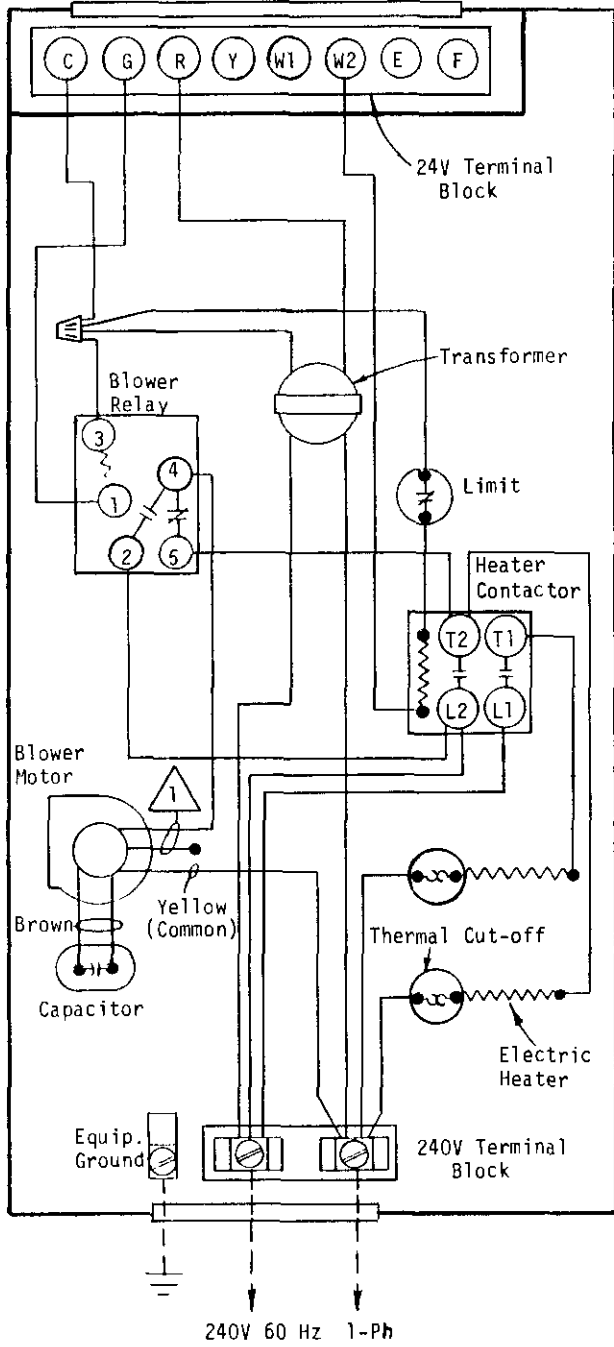
Factory Wiring ———
Field Wiring - - - - -

MODELS
B18EQ1 and B24EQ1
4Kw & 5Kw Heater

⚠ B18EQ1 connected on low speed (Red), B24EQ1 connected on high speed (Black).

4030-120

NEC Class 2 Wiring
Refer to Installation Instructions



Factory Wiring -----
Field Wiring -----

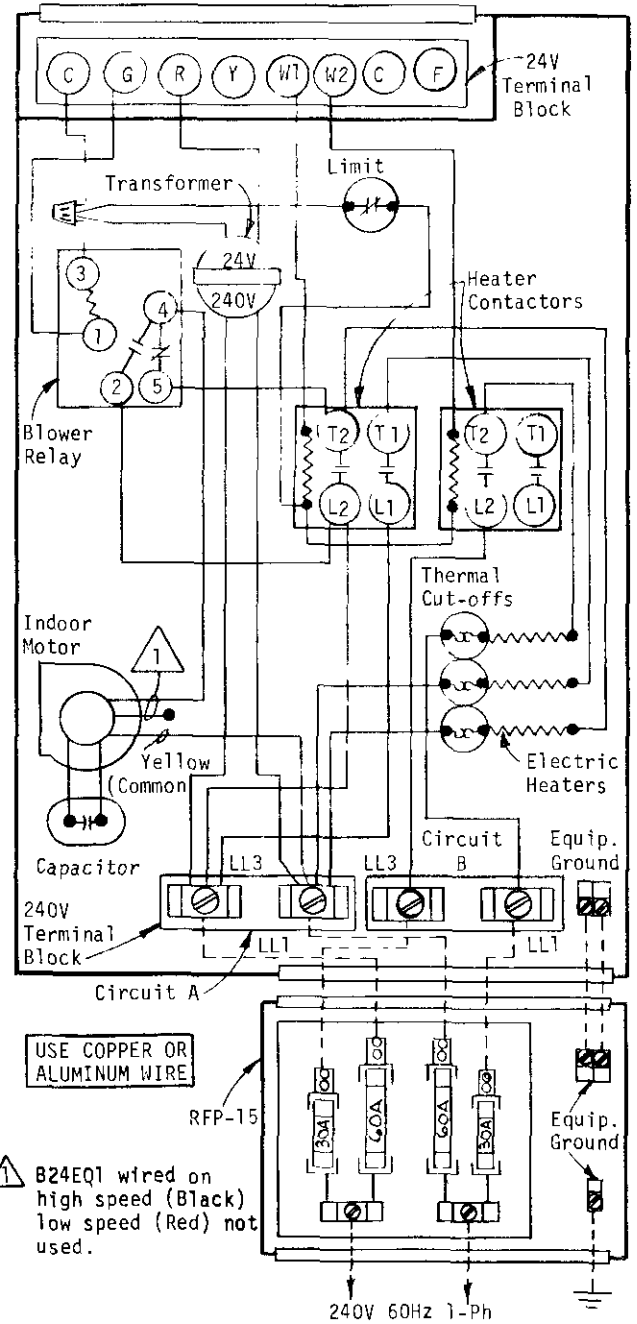
MODELS
B18EQ1 and B24EQ1
8Kw & 10Kw Heater

1 B18EQ1 connected on low speed (Red),
B24EQ1 connected on high speed (Black).

4030-130

AIR COND. INDOOR SECTION
MODEL B24EQ1
w/15Kw Heater

Use NEC Class 2 Wiring. Refer to Installation
Instructions for recommended low-voltage wiring
in conjunction with Matching outdoor unit.



USE COPPER OR
ALUMINUM WIRE

⚠ B24EQ1 wired on
high speed (Black)
low speed (Red) not
used.

Model B24EQ1 with 15Kw heater
must use RFP-15 fuse panel assembly.

MOTOR SPEED IDENTIFICATION	
Common	- Yellow
High	- Black
Low	- Red
Capacitor	- Brown

Factory Wiring -----
Field Wiring -----

4030-140A

PARTS LIST
SPLIT SYSTEM BLOWER COILS

PART NO.	DESCRIPTION	B18EQ1	B24EQ1
*	Blower Housing 10-4	X	X
5152-008	Blower Wheel DD10-4A	X	X
8552-001	Capacitor 4/370V	X	X
5811-004	Capillary Tube	(3)	
5811-001	Capillary Tube		(3)
8401-006	Contactoer - Heater 20A	X	X
5060-003	Evaporator Coil	X	
5060-013	Evaporator Coil		X
7004-003	Filter 12 x 20	X	X
8604-027	Heat Strip 4Kw	X	X
8604-023	Heat Strip 5Kw	X	X
8604-026	Heat Strip 8Kw	X	X
8604-024	Heat Strip 10Kw	X	X
8402-028	Limit Switch L150-2.5	X	X
8102-004	Motor - Blower 1/6	X	X
8200-003	Motor Mount	X	X
5451-011	Motor Mounting Parts	X	X
8201-009	Relay - Blower	X	X
5210-003	Strainer	X	X
8607-006	Terminal Board 24V	X	X
8607-001	Terminal Block 230V	X	X
8402-027	Thermal Cutoff	X	X
8407-007	Transformer	X	X

*Please order by model number.