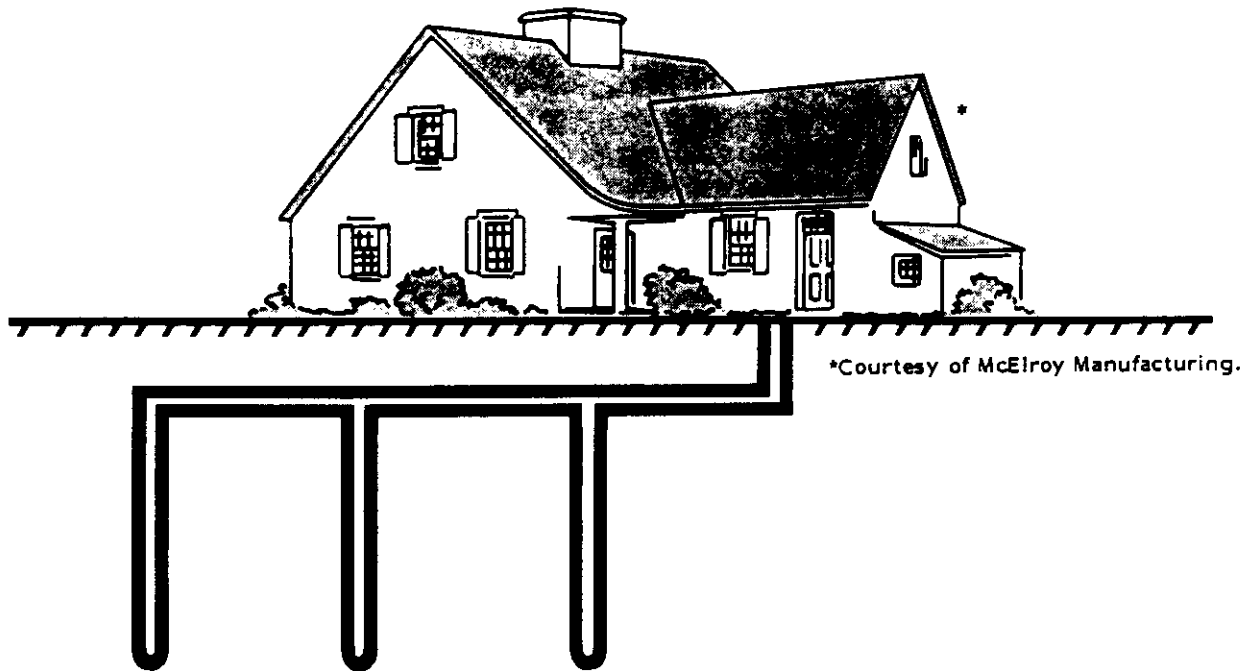


# EARTH COUPLED LOOP SYSTEM DESIGN MANUAL



MANUAL 2100-099 REV. I  
SUPERSEDES REV. H  
FILE VOL. 1, TAB 1

## INDEX

I.	Determine The Structure Design Heating In BTUH Loss And Design Cooling Load In BTUH Gain. . . . .	2
II.	Select A Water Source Heat Pump . . . . .	2
III.	Selection Of Type Earth Coil And Materials To Be Used . . . . .	2
	1. Heat Pump . . . . .	3
	2. Pipe . . . . .	3
	3. Cleanliness . . . . .	3
	4. Pressure Testing . . . . .	3
	5. Backfill . . . . .	3
	6. Location Markers . . . . .	3
	7. As-Built Plans . . . . .	4
	8. Series U-Bend . . . . .	4
	9. Pipe . . . . .	4
	10. Stiffner . . . . .	4
	11. Fill And Pressure Test . . . . .	5
	12. Multiple Wells . . . . .	5
	13. Service Lines . . . . .	5
	14. Parallel U-Bend . . . . .	5
	15. Pipe . . . . .	5
	16. Narrow Trenches . . . . .	11
	17. Backhoe Trenches . . . . .	12
	18. Service Lines . . . . .	13
	19. Pipe Joining Methods . . . . .	18
IV.	Design Of Earth Coil . . . . .	19
V.	Installation Of The Earth Coupled Ground Heat Exchanger . . . . .	26
	1. Site Plan . . . . .	26
	2. Installation Equipment . . . . .	26
	3. Pipe Installation Considerations . . . . .	29
	4. Installation Checklist . . . . .	32
VI.	The Circulation System Design . . . . .	33
	1. Heat Pump Connections . . . . .	34
	2. Piping Connections . . . . .	34
	3. Circulating Pump Worksheet . . . . .	36
	4. Pressure Drop Calculations To Select Circulation Pump . . . . .	38
VII.	Freeze Protection . . . . .	43
	1. Propylene Glycol . . . . .	44
	2. Calcium Chloride . . . . .	45
	3. Methyl Alcohol (Methanol) . . . . .	46
VIII.	System Start Up . . . . .	46
	1. Proper Planning Yield Problem--Free Ground-Source Heat Pump System . . . . .	48
	A. Check Bore Holes. . . . .	48
IX.	Other Items To Be Followed . . . . .	49
	1. Acknowledgements . . . . .	50
	2. Wiring Diagram . . . . .	51
X.	Closed Loop Systems Suspended In Ponds And Lakes . . . . .	52
	1. Lake Exchanger Construction--Copper . . . . .	52
	2. Placement . . . . .	52
	3. Calculating Head Loss . . . . .	52
	4. Lake Exchanger Construction--Plastic. . . . .	52
	5. Calculating Head Loss . . . . .	52
	6. Placement . . . . .	52
	7. Service Lines . . . . .	53
	8. Antifreeze. . . . .	53

## FIGURES AND TABLES

Figure 1 . . . . .	6
Figure 2 . . . . .	7
Figure 3 . . . . .	8
Figure 3A. . . . .	8
Figure 4 . . . . .	9
Figure 5 . . . . .	9
Figure 6 . . . . .	10
Figure 7 . . . . .	10
Figure 8 . . . . .	11
Figure 9 . . . . .	12
Figure 10. . . . .	12
Figure 11. . . . .	13
Figure 12. . . . .	14
Figure 13. . . . .	15
Figure 14. . . . .	16
Figure 15. . . . .	17
Figure 16. . . . .	17
Figure 17. . . . .	17
Figure 18. . . . .	22
Figure 19. . . . .	22
Figure 20. . . . .	22
Figure 21. . . . .	27
Figure 22. . . . .	27
Figure 23. . . . .	33
Figure 24. . . . .	35
Figure 25. . . . .	35
Figure 26. . . . .	35
Figure 27. . . . .	40
Figure 28. . . . .	40
Figure 29. . . . .	41
Figure 30. . . . .	41
Figure 31. . . . .	42
Figure 32. . . . .	42
Figure 33. . . . .	48
Figure 34. . . . .	53
Figure 35. . . . .	53
Figure 36. . . . .	55

Table 1 . . . . .	24
Table 1A . . . . .	24
Table 2 . . . . .	37
Table 3 . . . . .	37
Table 4 . . . . .	37
Table 5 . . . . .	37
Table 6 . . . . .	44
Table 7 . . . . .	47
Table 8 . . . . .	53
Table 9 . . . . .	55
Table 10 . . . . .	55

IMPORTANT

The following Bard Water Source Heat Pumps will not work on earth loop systems.

WPV30 or WPVD30  
WPV36 or WPVD36  
WPV53 or WPVD53  
WPV62 or WPVD62  
WQS30 or WQSD30  
WQS36 or WQSD36  
WQS50 or WQSD50

For EARTH LOOP SYSTEMS use one of the following:

WPV30A or WPVD36A  
WPV36A or WPVD36A  
WPV53A or WPVD53A  
WPV62A or WPVD62A  
EWP30 or EWP30  
EWP36 or EWP36  
WPV30B  
WPV36B  
WPV53B  
WPV62B  
WQS30A  
WQS36A  
WQS42A

The design of an earth coupled system is divided up into the following steps.

## I. DETERMINE THE STRUCTURE DESIGN HEATING IN BTUH LOSS AND DESIGN COOLING LOAD IN BTUH GAIN

It is very important that an accurate load calculation of the structure be done, therefore, it is recommended that "Manual J" from ACCA or other national accepted methods be used.

## II. SELECT A WATER SOURCE HEAT PUMP

When selecting a water source heat pump for use on an earth coupled system, it may have to operate at entering water temperatures between 30 degrees F to 100 degrees F, therefore, it is very important that the minimum and maximum entering water temperatures of the selected water source be within that range. Several models on the market today have a much smaller operating range such as 45 degrees to 85 degrees or 60 degrees to 85 degrees entering water temperature. Some of those will not provide satisfactory operation on an earth coupled installation.

The heating or cooling capacity of the water source heat pump should be determined from the manufacturer's specifications for the design minimum and maximum loop water temperatures. The water source heat pump should be sized as follows:

HEAT PUMPS SIZED FOR COOLING--The output capacity of cooling equipment should not be less than 90 percent calculated total load nor should it exceed the calculated load by more than 150 percent. The corresponding latent capacity should not be less than the calculated total latent load. The equipment sensible and latent capacities should be determined from the manufacturer's cataloged performance data. Catalog performance should be verified at the design maximum loop water temperature and indoor design conditions expected on a design day.

HEAT PUMPS SIZED FOR HEATING should not be less than 60 percent nor more than 115 percent of the calculated total heating load. Catalog performance should be verified at the design minimum loop water temperature and indoor design conditions expected on a design day. (Auxiliary heat should be sized to make up for any deficiency in output when the heat pump unit is undersized.) Emergency heat may be required in some locations.

HEAT PUMPS FOR HEATING AND COOLING shall be sized to meet 90 percent to 150 percent of the design cooling load depending on heating size requirements and allowable indoor temperature swings--units that meet 60 percent to 90 percent of the design heating load are generally adequate when allowances for internal and solar gains are considered. Auxiliary heat should be sized to make up for the difference between the design heating load and the heat pump output on a design day. Emergency heat may also be required in some locations. Contact Bard Technical Service for application assistance.

## III. SELECTION OF TYPE EARTH COIL AND MATERIALS TO BE USED

EARTH COUPLED SYSTEMS--Earth coupling is a method by which water used by the heat pump is circulated through pipes buried in the ground. Heat is transferred to and from the soil through the walls of the pipe. Earth coupled systems are used in areas where insufficient ground water is available or where it is impractical to drill a well. The piping may be buried in either a vertical or a horizontal configuration.

When designing an earth coupled system, particular attention must be paid to balancing the system between the heat pump unit and the earth coupled loop. In a balanced system, the earth coupled loop will remove all of the heat energy transferred to the water by the heat pump (cooling cycle) and will provide all of the heat energy to the water that the heat pump unit is capable of absorbing (heating cycle). The net result of a perfectly balanced system is that the change in water temperature through the heat pump is offset by an equal and opposite change in temperature through the earth coupled loop. For instance, if the heat pump unit in the cooling cycle causes the water temperature to rise 15 degrees F, then the loop must cause a corresponding drop of 15 degrees F.

A word of caution is required here. Although the earth coupled loop is designed for a balanced rise and fall in water temperature suggesting that the net average loop water temperature remains constant because the ground temperature may vary  $\pm 15$  degrees F from season to season, the loop water temperature may vary  $\pm 20$  degrees F from the balance point temperature. This is because the ground is able to overcool the loop water in winter, and may undercool in summer. Because of this, the temperature of the water entering the water source heat pump unit may drop below 30 degrees F in winter or rise above 100 degrees F in summer. This range in entering water temperature is extremely important because water source heat pumps are designed to operate within specific operating temperature ranges (see manufacturer's specifications for water source heat pump operating ranges). The temperature ranges are established to protect both the heat pump unit and the water loop piping. Furthermore, these temperature ranges are based on water only passing through the system. The low temperature limit of 40 degrees F in a water source heat pump unit is established to protect the loop water from freezing. Again, this low limit presumes that water only flows through the system. However, if the water is mixed with a non-toxic antifreeze solution, the entering water temperature can be allowed to fall to 30 degrees F.

## HEAT PUMP

Use only a water source heat pump that can be operated on loop temperatures well below 40 degrees F down to 30 degrees F. Information on when to use an antifreeze solution in a ground coupled water source heat pump system is contained in the following discussions on vertical and horizontal configurations.

## PIPE

Use polybutylene (PB) or polyethylene (PE) pipe for horizontal coils, vertical U-bend wells and for service lines to the wells and lake exchangers. IPS PB pipe is used with insert fittings and clamps. CTS PB pipe is fused together with appropriate fittings using a fusion tool. PE pipe is heat butt fused with appropriate fittings using a fusion tool.

## CLEANLINESS

During installation, keep trash, soil, and small animals out of the pipe. Leave the ends of the earth loop pipe taped until the pipe is ready to be connected to the service lines of the equipment room piping.

## PRESSURE TESTING

Plastic pipe assemblies should be pressure tested at twice the anticipated system operating pressure prior to backfilling. Normal static equipment room pressure is 50 psig.

## BACKFILL

Narrow trenches made with a chain trencher can be backfilled with the tailings provided no sharp rocks are present.

Wider backhoed trenches can be backfilled with the excavated material provided it is in loose granular form. If the material contains clumps of clay or rocks, the plastic pipe must be covered first with sand before filling in with clumps and rocks.

Drilled boreholes of 4 - 6 inches in diameter are common for vertical geothermal wells. Backfill may be any granular material not containing sharp rocks. This includes the drilling tailings, sand, pea gravel or bentonite mud.

## LOCATION MARKERS

It is desirable that the locations of important points such as well heads be marked for subsequent recovery. The placement of a steel rod just below the surface can identify these features or mark the outline of an entire serpentine earth coil.

## AS-BUILT PLANS

Earth coupling features should be drawn on a site plan as installed, if possible, to aid in the location of key components. A simple way to locate key features is to make 2 measurements (sides of a triangle) from 2 corners of a building to the feature. Record these measurements in a table on the plans.

Reasons for using an earth coupled system.

1. Unlike a standard solar system, the loop operates day or night, rain or shine all year, delivering heat to and from the heat pump.
2. It is cost effective in northern or southern climates.
3. Because the water circulates through a sealed closed-loop of high strength plastic pipe, it eliminates scaling, corrosion, water shortage, pollution, waste and disposal problems possible in some open well water systems.

**VERTICAL**--A vertical earth coupled system consists of one or more vertical boreholes through which water flows in plastic pipe. A distinct advantage of vertical system over a horizontal system is that the vertical system requires less surface area (acreage). In areas where the ambient groundwater (average well water) temperature is less than 60 degrees F, the use of an antifreeze solution, such as propylene glycol, to avoid freezing the loop is recommended. (Figures 1, 2, and 3)

Boreholes are drilled 5 inch to 6 inch in diameter for 1-1/2 inch diameter pipe. For 3/4 inch diameter pipe loop systems, the vertical loops are connected in parallel to a 1-1/2 inch diameter pipe header. A borehole of 3 inch to 4 inch in diameter is used for 3/4 inch diameter loops, this lowers drilling costs. The 3/4 inch diameter pipe also costs less per ton of heat pump capacity. The smaller pipe is easier to handle, yet there is no sacrifice in pressure rating. Also two loops in one hole reduces borehole length. Depth for these systems is usually between 80 and 180 feet.

The basic components of a vertical earth coupled system are detailed in Figure 1. Each borehole contains a double length of pipe with a U-bend fitting at the bottom. Multiple boreholes may be joined in series or in parallel. Sand or gravel packing is required around the piping to assure heat transfer. In addition, the bore around the pipes and immediately below the service (connecting) lines must be cemented closed to prevent surface water contamination of an aquifer in accordance with local health department regulations.

## SERIES U-BEND

A series U-bend well earth coupling is one in which all the water flows through all of the pipe progressively traveling down and then up each well bore. Series wells need not be of equal length.

## PIPE

1-1/2 inch CTS or IPS polybutylene or polyethylene pipe is commonly used in 5 to 6 inch boreholes. IPS PB pipe is used with insert fittings and clamps. Turn the clamps so that they face inward and will not be clogged by the well bore. Tape the clamped section of the U-bend with duct tape to provide added protection to the clamps while the pipe is being installed into the well.

CTS PB pipe is heat fused together with fittings. PB pipe is heat fused together with butt joints.

## STIFFENER

Tap the last 10 to 15 feet of pipe above the U-bend together to a rigid piece of pipe or conduit. This will make installing the pipe into the well easier.

## FILL AND PRESSURE TEST

Fill with water and pressure test before lowering the U-bend into a well bore. When drilling with air, a bore can be completed that contains no water. If unfilled plastic pipe is lowered into the bore, it will be crushed as the hole slowly fills.

## MULTIPLE WELLS

Multiple 100 feet wells connected in series are the easiest to drill and install in most areas. It will be difficult to sink water filled plastic U-bends into mud filled holes over 150 feet deep without weights. Wells are generally spaced 10 feet apart in residential systems.

## SERVICE LINES

Follow the guidelines for the horizontal earth coil when installing the service lines to and from the U-bend well.

## PARALLEL U-BEND

A parallel U-bend well earth coupling is one in which the water flows out through one header, is divided equally, and flows simultaneously down two or more U-bends. It then returns to the other header. Headers are reverse return plumbed so that equal length U-bends have equal flow rates. Lengths of individual parallel U-bends must be within 10 percent of each other to insure equal flow in each well.

## PIPE

1-1/2 inch CTS polybutylene or polyethylene pipe is used for the headers with 1 inch or 3/4 inch pipe used for the U-bends. 4 inch bore holes are sufficient for placement of 1 inch U-bends.

Follow "Series U-Bend Well" instructions on:

Stiffener  
Fill and Pressure Test

Multiple Wells  
Service Lines

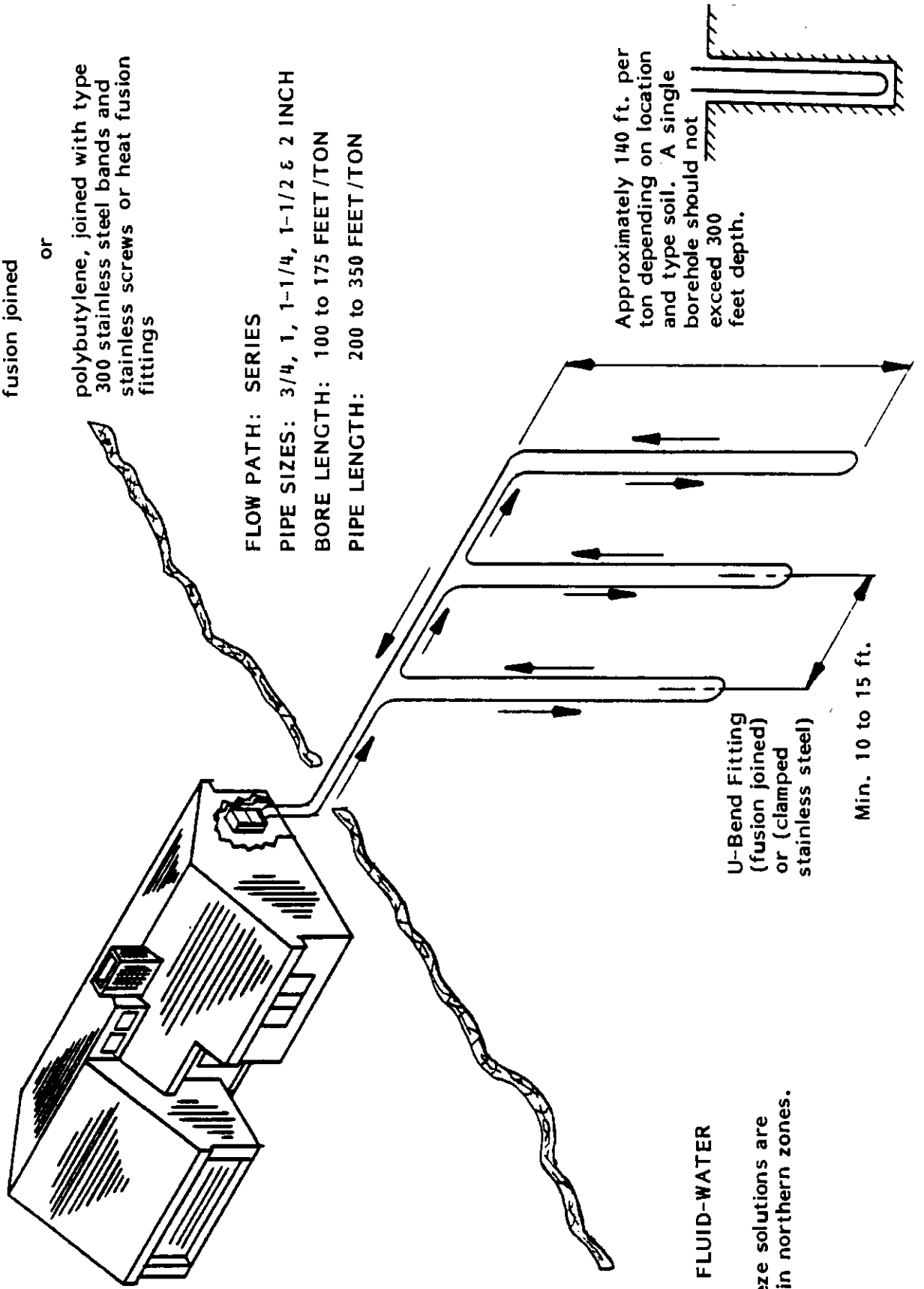
RULE OF THUMB		
MINIMUM DIAMETERS FOR BOREHOLES		
Nominal Pipe Size	Single U-Bend	Double U-Bend
3/4"	3-1/4"	4-1/2"
1"	3-1/2"	5-1/2"
1-1/4"	4"	5-3/4"
1-1/2"	4-3/4"	6"
2"	6"	7"

RULE OF THUMB
For parallel systems, use one loop for each one ton (12,000 Btuh) of heat pump capacity. For example, a three ton heat pump would have three parallel loops. Headers are constructed from 3/4 and 1 inch pipe. For heat pumps with reduced flow requirements (2 GPM/ton and less), the series system should be considered in order to maintain the necessary fluid velocities to promote good heat transfer. See Table 1.

RULE OF THUMB
PVC pipe is not recommended for the buried portion of the earth coupled ground heat exchanger.



**FIGURE 1**  
**VERTICAL (SERIES) SYSTEM**



PIPE: High strength polyethylene, fusion joined  
or  
polybutylene, joined with type 300 stainless steel bands and stainless screws or heat fusion fittings

FLOW PATH: SERIES  
PIPE SIZES: 3/4, 1, 1-1/4, 1-1/2 & 2 INCH  
BORE LENGTH: 100 to 175 FEET/TON  
PIPE LENGTH: 200 to 350 FEET/TON

Approximately 140 ft. per ton depending on location and type soil. A single borehole should not exceed 300 feet depth.

U-Bend Fitting (fusion joined or (clamped stainless steel)

Min. 10 to 15 ft.

**TRANSFER FLUID-WATER**  
**NOTE:**  
Antifreeze solutions are needed in northern zones.

**FIGURE 2**  
**VERTICAL (PARALLEL) SYSTEM**

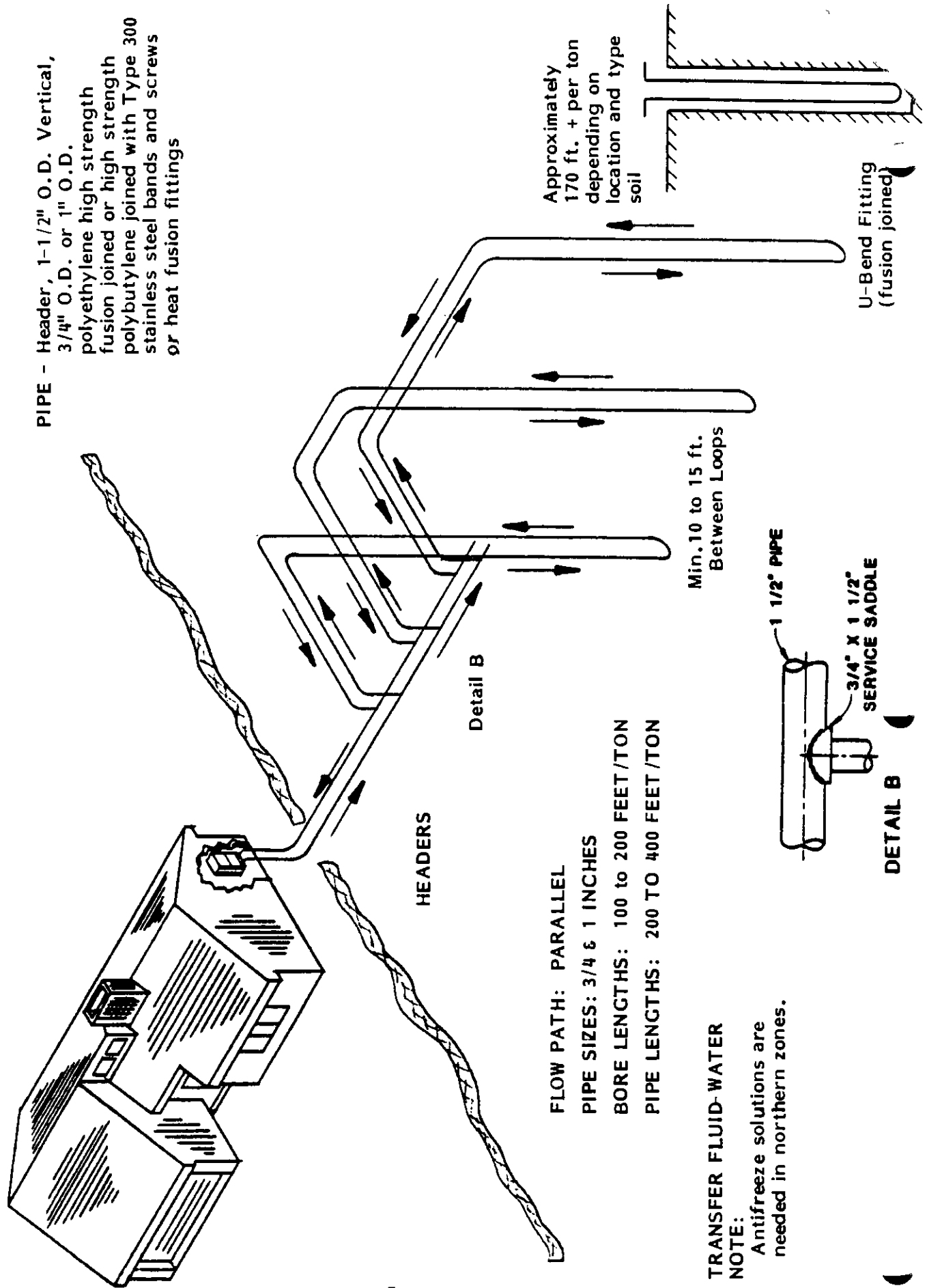


FIGURE 3  
SERIES AND PARALLEL HORIZONTAL SYSTEMS

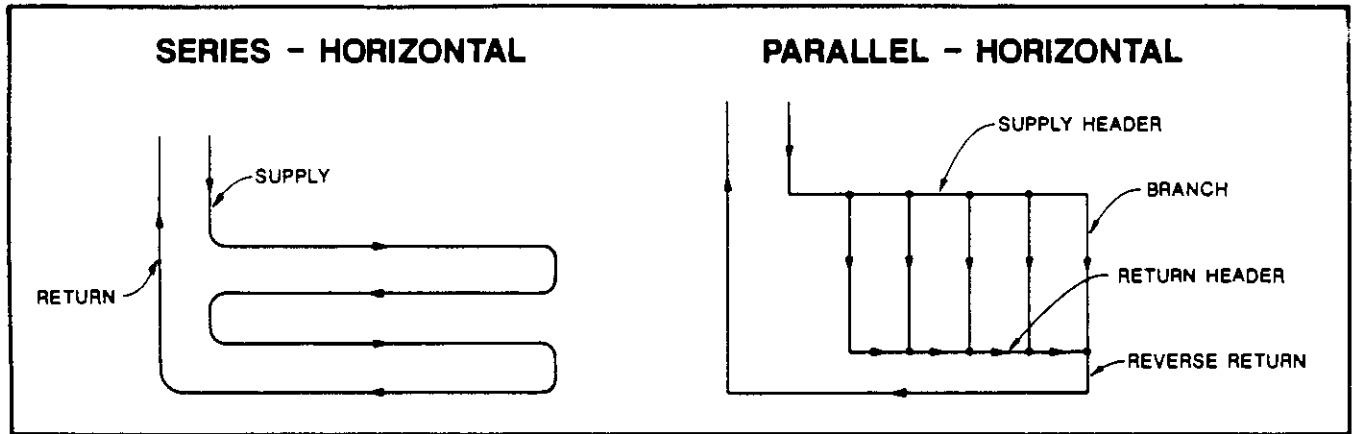
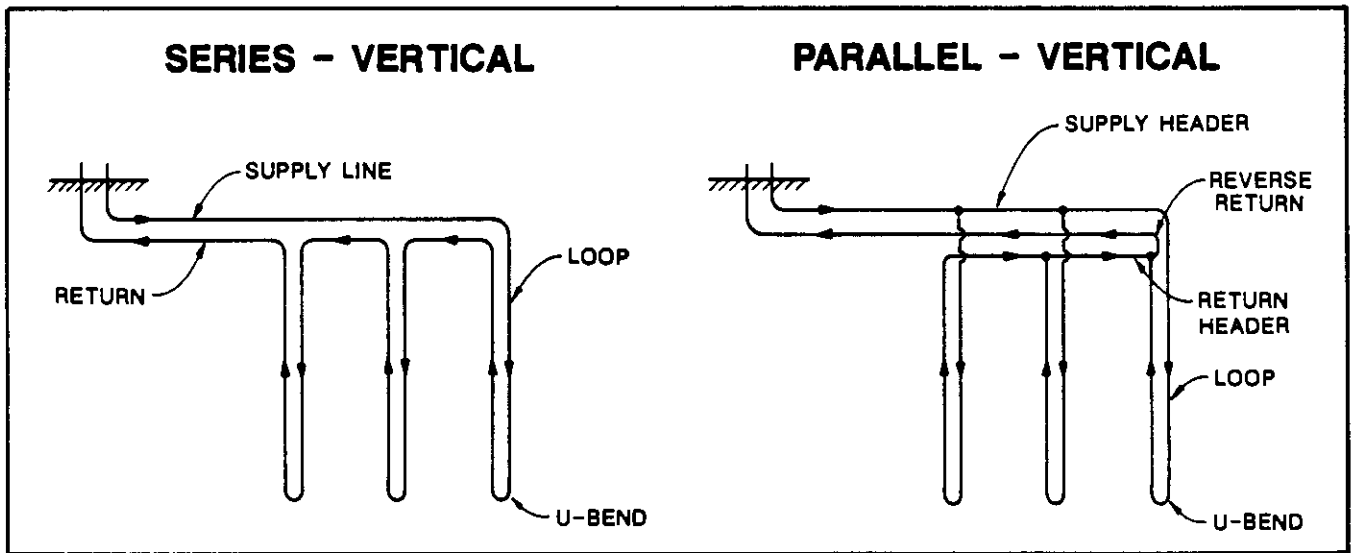


FIGURE 3A  
SERIES AND PARALLEL VERTICAL SYSTEMS



**HORIZONTAL**--A horizontal earth coupled system is similar to a vertical system in that water circulates through underground piping. However, the piping in this system is buried in a trench. (See Figures 12, 13, and 14)

Pipe depths in the Northern Zone should be 3 to 5 feet. Excessive depth will reduce the ability of the sun to recharge the heat used in winter.

Pipe depths in the Southern Zone should be 4 to 6 feet, so that the high temperature of the soil in late summer time will not seriously affect system performance.

Antifreeze will be necessary in the Northern Zone to prevent freezing of the circulated water and to allow the system to gain capacity and efficiency by using large amount of heat released when the water contained in the soil is frozen.

Antifreeze solutions used are a non-toxic Propylene Glycol or Calcium Chloride.

The use of multiple pipes in a trench reduces total trench length substantially. If a double layer of pipe is laid in the trench (Figure 5), then the two layers should be set two feet apart to minimize thermal interference. Example: A 1-1/2 inch series horizontal system with pipes at 5 feet and 3 feet. After installing first pipe at 5 foot depth, partially backfill to 3 foot depth using a depth gauge stick before installing second pipe with the return line running closest to the surface and the supply line running below it. This arrangement will maximize the overall system efficiency by providing warmer water in heating mode and colder water for cooling mode. Connect pipe ends to heat pump after the pipe temperature has stabilized so that shrinkage will not pull pipe loose.

FIGURE 4

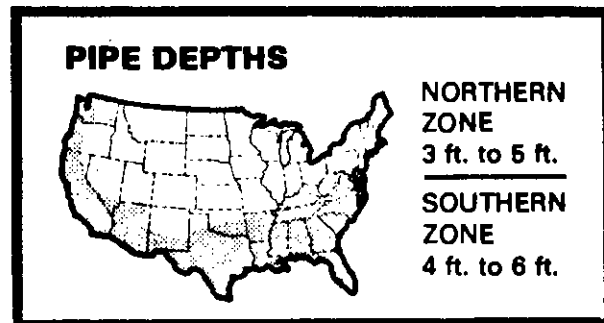


FIGURE 5  
SINGLE AND STACKED HORIZONTAL EARTH COILS

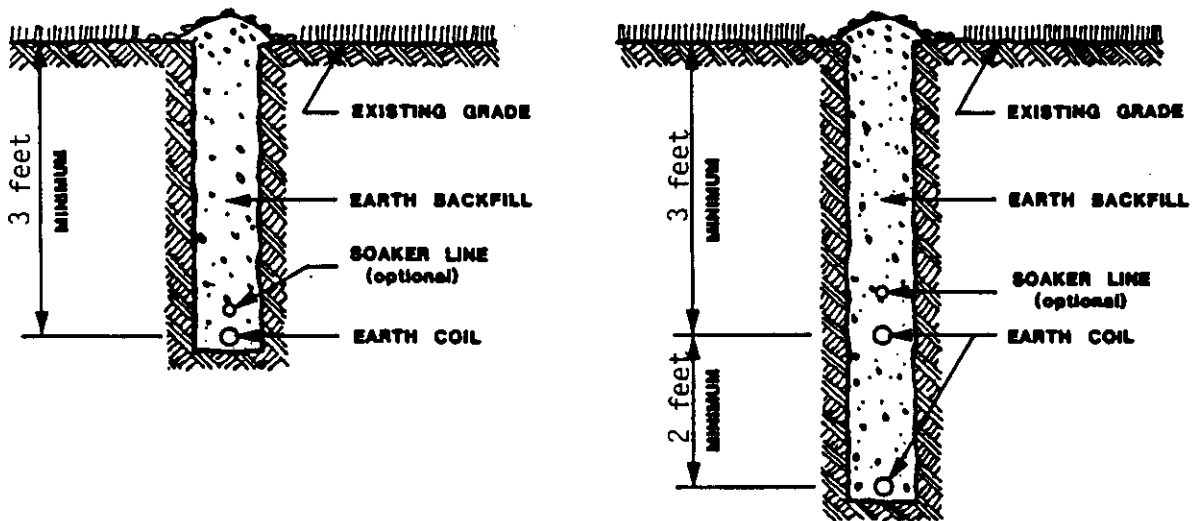
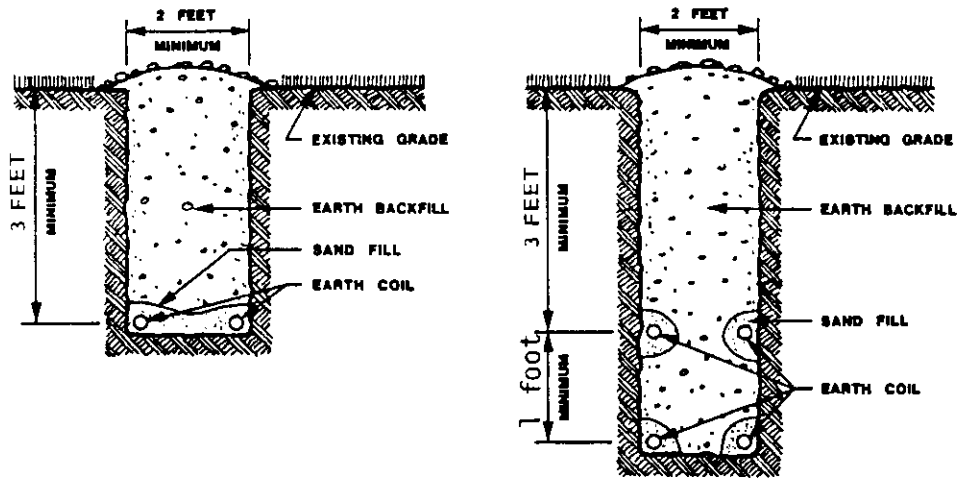


FIGURE 6  
TWO PIPE AND FOUR PIPE EARTH COIL IN A WIDE TRENCH



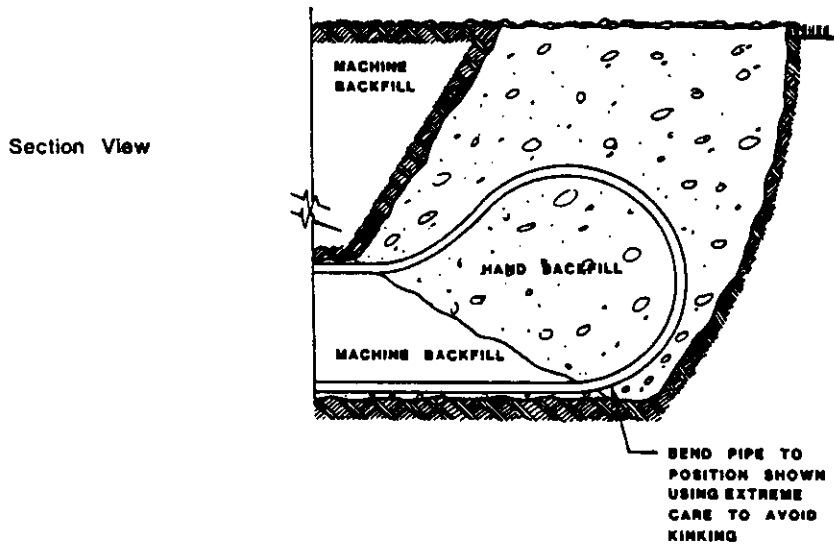
Two pipes in the same trench, one above the other, separated by two feet of earth require a trench 60 percent as long as a single pipe. The total length of pipe would be 120 percent as long as a single pipe due to the heat transfer effect between the pipes.

In addition, when laying a double layer of pipe, be careful to avoid kinks when making the return bend (see Figure 7). Backfill the trench by hand when changing direction. If it is necessary to join two pipes together in the trench, use the fusion technique for IPS304 stainless steel or brass fittings for greater strength and durability. Then mark fitting locations for future reference by inserting a steel rod just below grade. The steel rod enables the use of a metal detector to find joints in pipe.

Trenches can be located closer together if pipe in the previous trench can be tested and covered before the next trench is started. This also makes backfilling easier. Four to five feet spacing is good.

In those areas with dry climates and heavy clay soil, heat dissipated into the soil may reduce the thermal conductivity of the soil significantly. In such cases, the designer may specify additional feet of pipe per ton of capacity. A few inches of sand may also be put in with the pipe, or a drip irrigation pipe buried with the top pipe to add occasional small amounts of water.

FIGURE 7  
HORIZONTAL EARTH COIL TURNAROUNDS  
NARROW TRENCH RETURN BEND DETAIL  
DOUBLE LAYER HORIZONTAL EARTH COIL

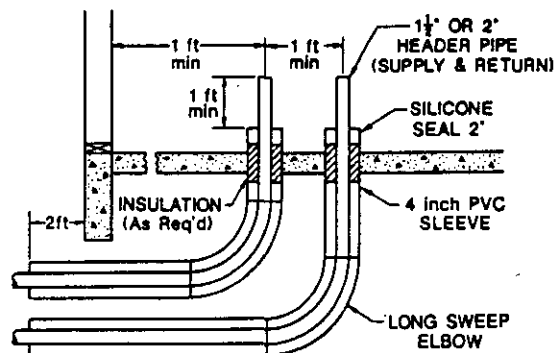


When making the return bend, be careful not to kink the pipe. Two inch pipe requires a four foot diameter bend.

RULE OF THUMB		
Maximum recommended pipe length in series: (Pressure loss, water @ 40 degrees F)		
Nominal Size	Description Flow, Length	Head (Feet)
3/4"	SDR-11 (0.86 inch ID) 3 GPM, 500 ft.	10.3
1"	SDR-11 (1.077 inch ID) 3 GPM, 1,500 ft. 4.5 GPM, 800 ft.	10.4 11.4
1-1/4"	SCH40 (1.380 inch ID) 7.5 GPM, 1,200 ft.	12.9
1-1/2"	SCH40 (1.61 inch ID) 9 GPM, 1,500 ft.	10.7
2"	SCH40 (2.067 inch ID) 15 GPM, 2,500 ft.	10.7

NOTE: Fluid pressure drop dictates the length of pipe run in any ground heat exchanger design.

FIGURE 8  
GROUND HEAT EXCHANGER BUILDING STUB OUT



- NOTE: (1) Ground heat exchanger stub outs should be spaced a minimum of one foot from any wall or obstruction.  
(2) Long sweep elbows are required for 1-1/2 inch or 2 inch header pipes.

Series horizontal earth couplings are ones in which all the water flows through all of the pipe. These may be made of 1 inch, 1-1/2 inch, and 2 inch pipe either insert coupled or fused.

## NARROW TRENCHES

Narrow trenches are installed by trenching machines. The trenches are usually 6 inches wide. Generally speaking, the trencher will require about 5 feet between trenches. This is sufficient spacing for horizontal earth coils.

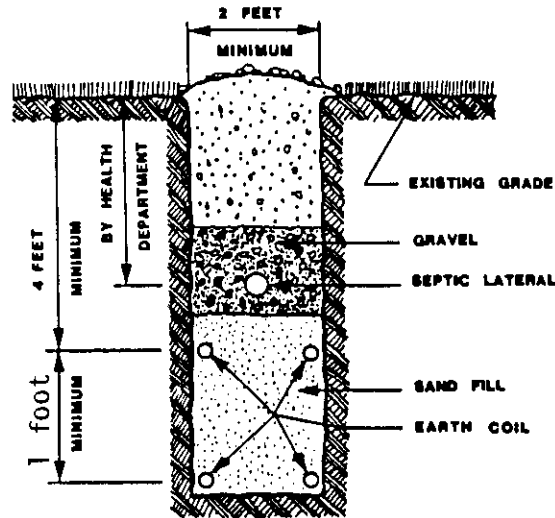
The pipe can be coiled into an adjoining trench. Since the trencher spaces the trenches about 5 feet apart, looping the coil from one trench to another will give a large enough diameter return. The end trench should be backhoed to give enough room for the large diameter bend.

If the pipe is brought back in the same trench, bend the pipe over carefully to avoid kinking the pipe and hand backfill the area around the return bend (Figure 7).

To reduce the bend radius, elbows may be used. However, keeping the number of fittings underground to a minimum may be preferable since the potential for leaks is reduced.

If a double layer of pipe is used, the incoming water to the heat pump should be from the deepest pipe. This provides the heat pump with the coolest water in summer and the warmest in winter.

FIGURE 9  
A WETTING SYSTEM FOR HORIZONTAL EARTH COILS

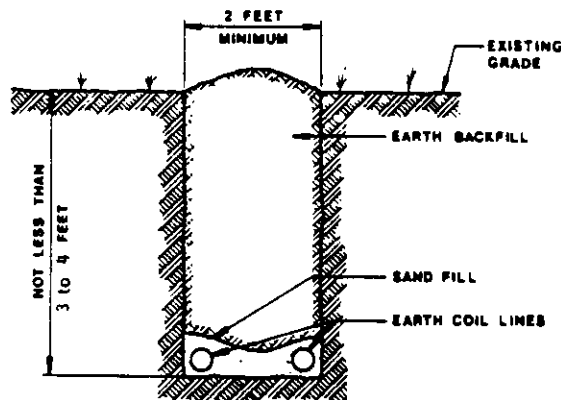


## BACKHOE TRENCHES

If a backhoe is used, the trench will probably be about 2 feet wide. In a wide backhoed trench, two pipes may be placed side by side, one on each side of the trench. The pipes in the trench must be at least 2 feet apart.

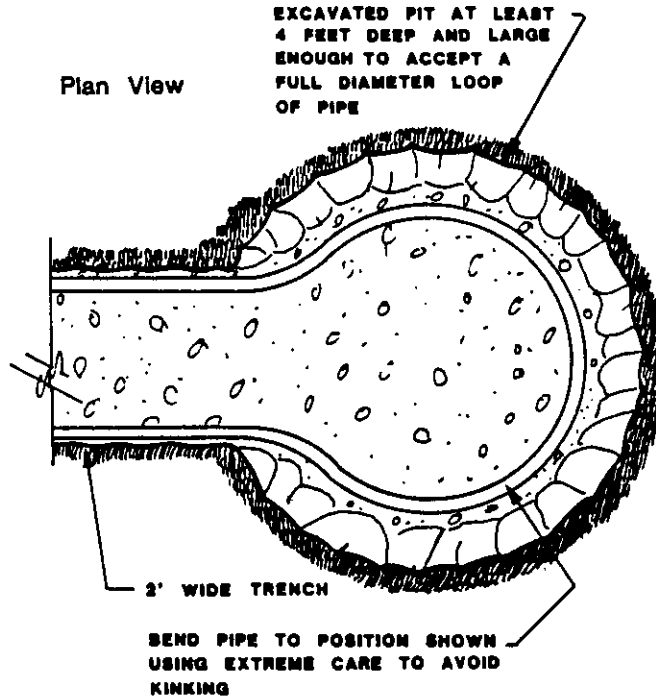
Backfill carefully around the pipe with fine soil or sand. Do not drop clumps of clay or rock onto the pipe.

FIGURE 10



A pit may be excavated at the end of the trench to accommodate a 4 foot diameter return bend.

FIGURE 11  
 WIDE TRENCH RETURN BEND DETAIL  
 SINGLE OR DOUBLE LAYER HORIZONTAL EARTH COIL



**SERVICE LINES**

The recommendations for the horizontal earth coils also apply for the installation of service lines to and from the U-bend wells and pond or lake exchanger.

Bury the service lines a minimum of 3 inches for single layer pipe, 3 feet and 5 feet deep for double layer pipes.

If 2 pipes are buried in the same trench, keep them 2 feet apart.

A parallel horizontal earth coupling is one in which the water flows out through a supply header, is divided equally, and flows simultaneously into 2 or more earth coils. It then returns to the other header. Headers are reverse return plumbed so that equal length earth coils must be within 10 percent of each other to insure equal flow in each coil.

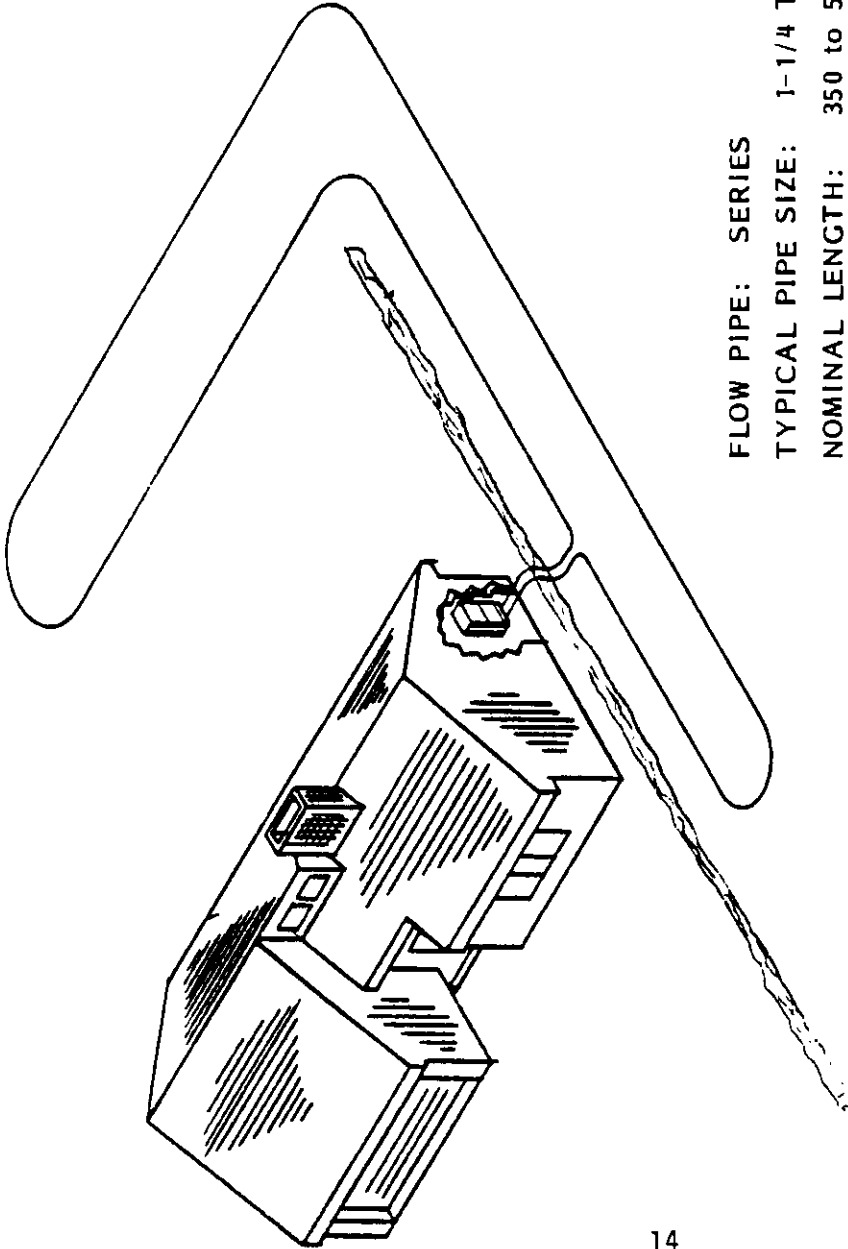
Follow "Series Horizontal Earth Coupling" instructions on NARROW TRENCHES AND BACKHOE TRENCHES.

RULE OF THUMB		
Trench length is reduced in the following proportion when multiple pipes are installed in a single trench		
Number of Pipes	Trench/Pipe (Feet)	Depths (ft)
1	500/500	5
2	300/600	4,6
4	200/800	3,4,5,6



HORIZONTAL (SERIES) SYSTEM

ONE PIPE IN TRENCH



PIPE: High strength polyethylene fusion joined

or

polybutylene, joined with Type 300 stainless steel bands and screws or heat fusion fittings

FLOW PIPE: SERIES

TYPICAL PIPE SIZE: 1-1/4 TO 2 INCHES

NOMINAL LENGTH: 350 to 500 FEET/TON

BURIAL DEPTH: 3.5 to 6 FEET

MAXIMUM HEAT PUMP SIZE: 5 TONS

TRANSFER FLUID-WATER

NOTE:

Antifreeze solution needed in northern zones.

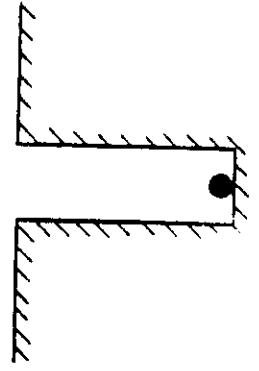
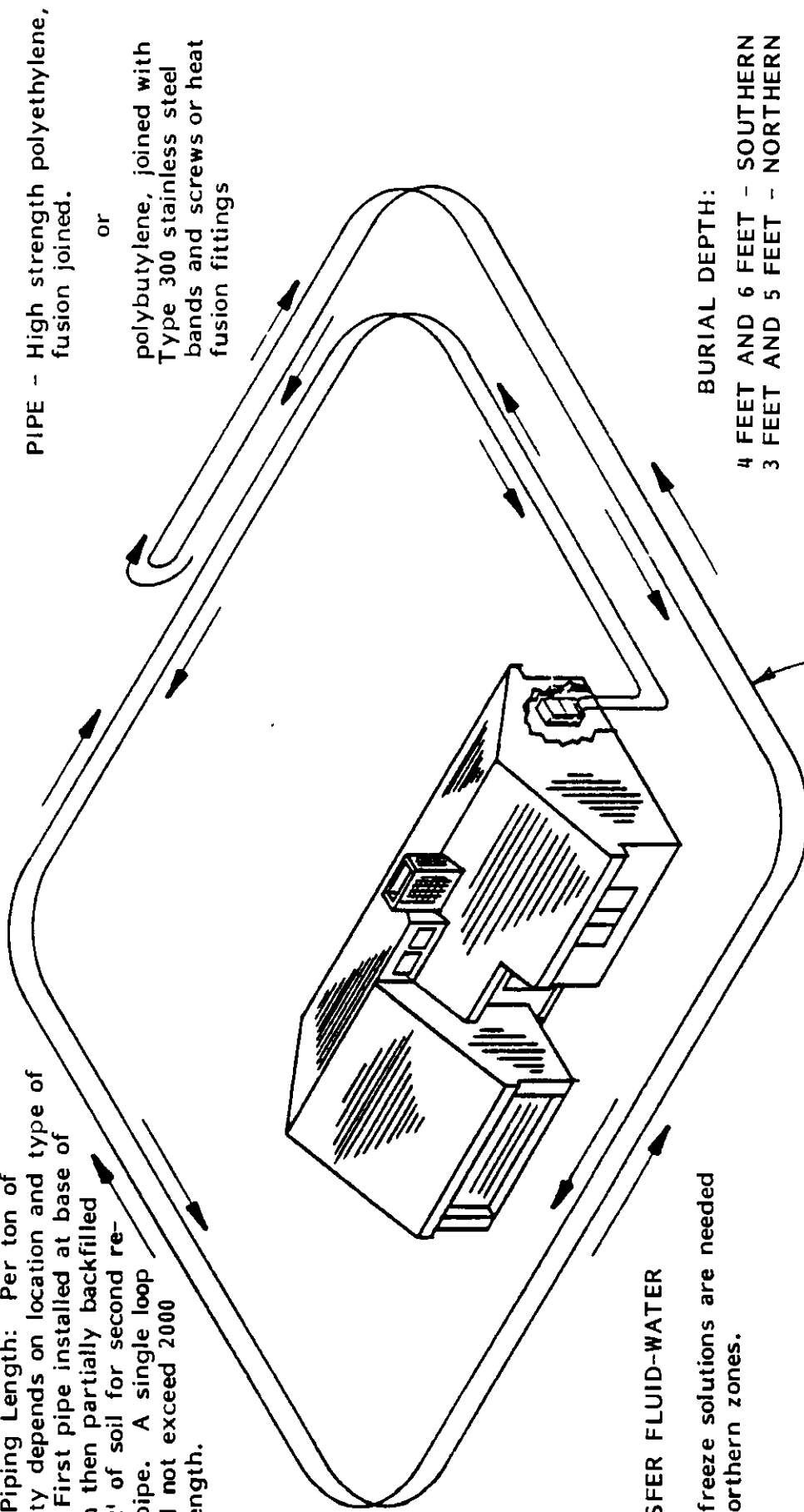


FIGURE 13  
HORIZONTAL (SERIES) SYSTEM

TWO PIPES IN SAME TRENCH

Total Piping Length: Per ton of capacity depends on location and type of soil. First pipe installed at base of trench then partially backfilled with 2' of soil for second re-turn pipe. A single loop should not exceed 2000 feet length.

PIPE - High strength polyethylene, fusion joined.  
 or  
 polybutylene, joined with Type 300 stainless steel bands and screws or heat fusion fittings



TRANSFER FLUID-WATER

NOTE: Antifreeze solutions are needed in northern zones.

BURIAL DEPTH:

4 FEET AND 6 FEET - SOUTHERN  
 3 FEET AND 5 FEET - NORTHERN

Min. Space  
 4 to 6 feet

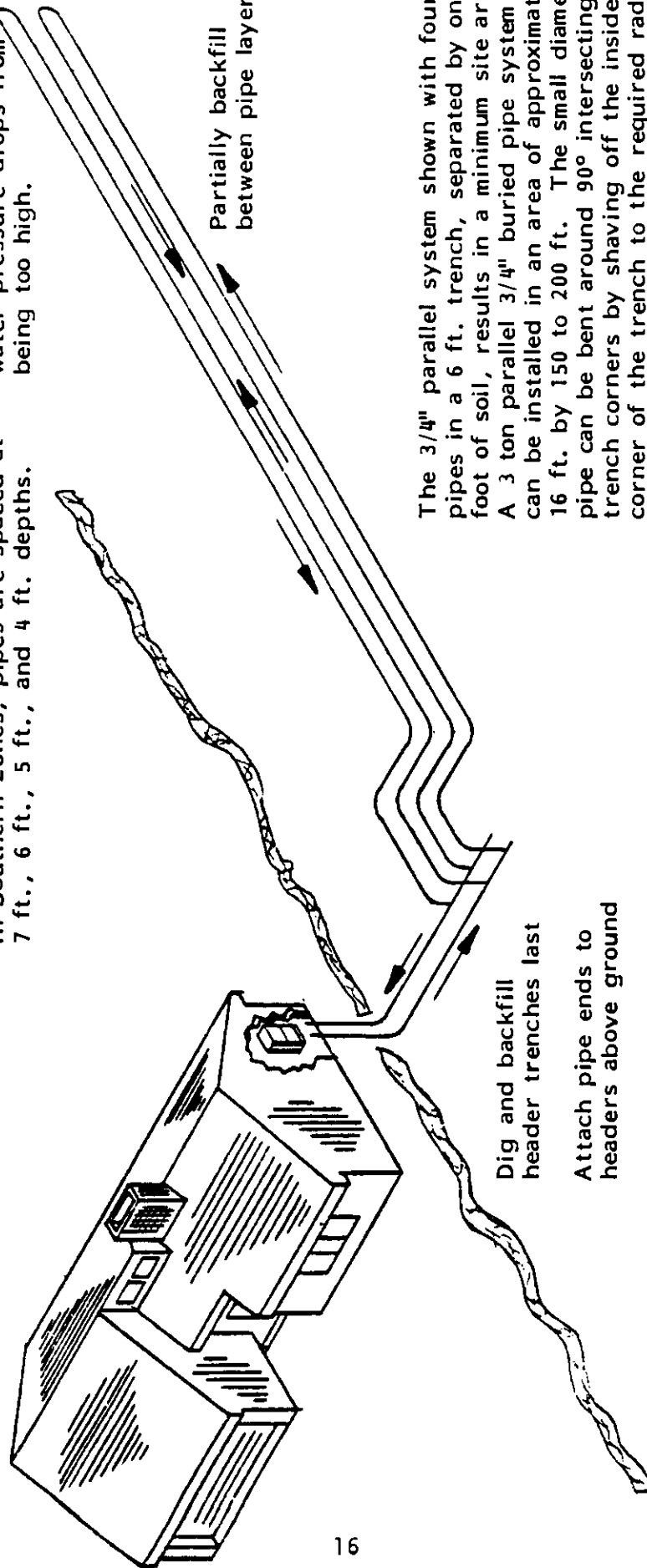
FLOW PATH: SERIES  
 TYPICAL PIPE SIZE: 1-1/4 TO 2 INCHES  
 PRACTICAL LENGTH: 210 TO 300 FEET OF TRENCH/TON  
 420 TO 600 FEET OF PIPE/TON

**FIGURE 14**  
**HORIZONTAL MULTI-LEVEL (PARALLEL) SYSTEM**

Be sure the buried pipe system is properly designed for the heat pump load, soil type, climate, the pipe used, and the operating cycle pattern.

System uses 3/4" or 1" pipe, installed four ft. deep, spaced one foot apart vertically. Return bends as shown. Trenches spaced four feet apart. In Northern Zone, pipes are installed at 6 ft., 5 ft., 4 ft., and 3 ft. depths. In Southern Zones, pipes are spaced at 7 ft., 6 ft., 5 ft., and 4 ft. depths.

The use of smaller diameter pipes results in a thinner pipe wall and thus better heat transfer without sacrificing the pipe pressure rating. Parallel hookups are usually required in order to keep water pressure drops from being too high.



The 3/4" parallel system shown with four pipes in a 6 ft. trench, separated by one foot of soil, results in a minimum site area. A 3 ton parallel 3/4" buried pipe system can be installed in an area of approximately 16 ft. by 150 to 200 ft. The small diameter pipe can be bent around 90° intersecting trench corners by shaving off the inside corner of the trench to the required radius with a shovel to prevent kinking.

- FLOW PATH: PARALLEL
- TYPICAL PIPE SIZE: PARALLEL PATHS 3/4 TO 1 INCHES
- HEADERS 1-1/2 TO 2 INCHES
- PARALLEL PIPE LENGTH: 500 FT. MAX. PIPE LENGTH (3/4 INCH)
- 750 FT. MAX. PIPE LENGTH (1 INCH)

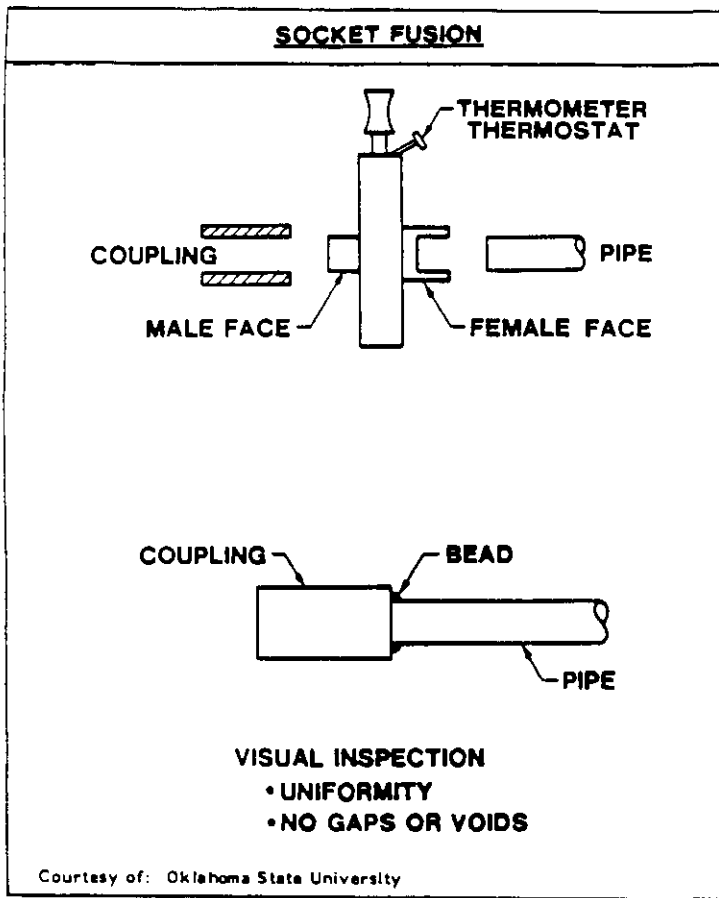


FIGURE 15

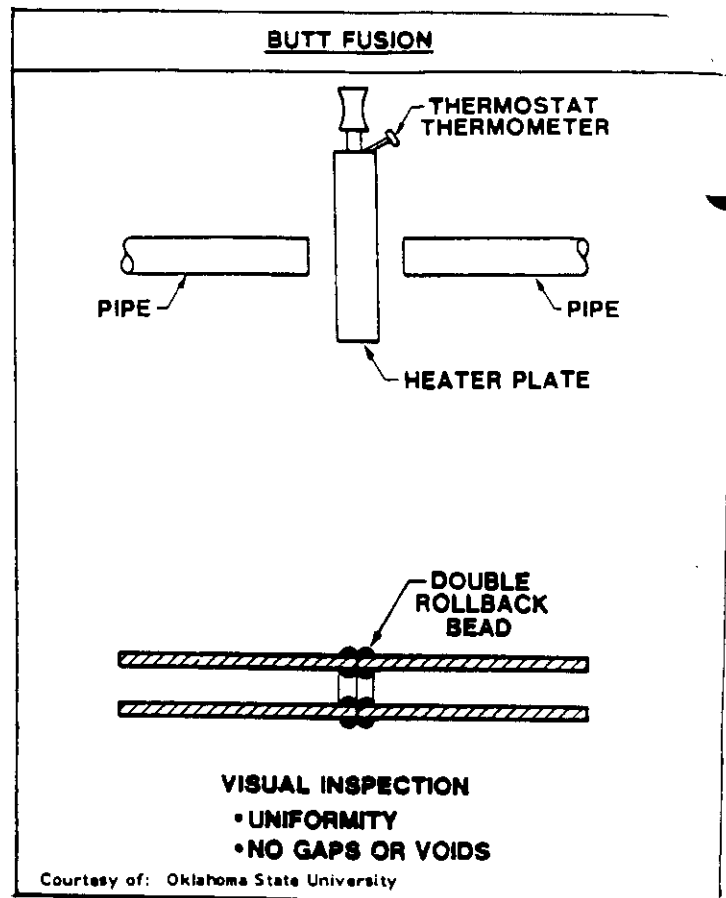


FIGURE 16

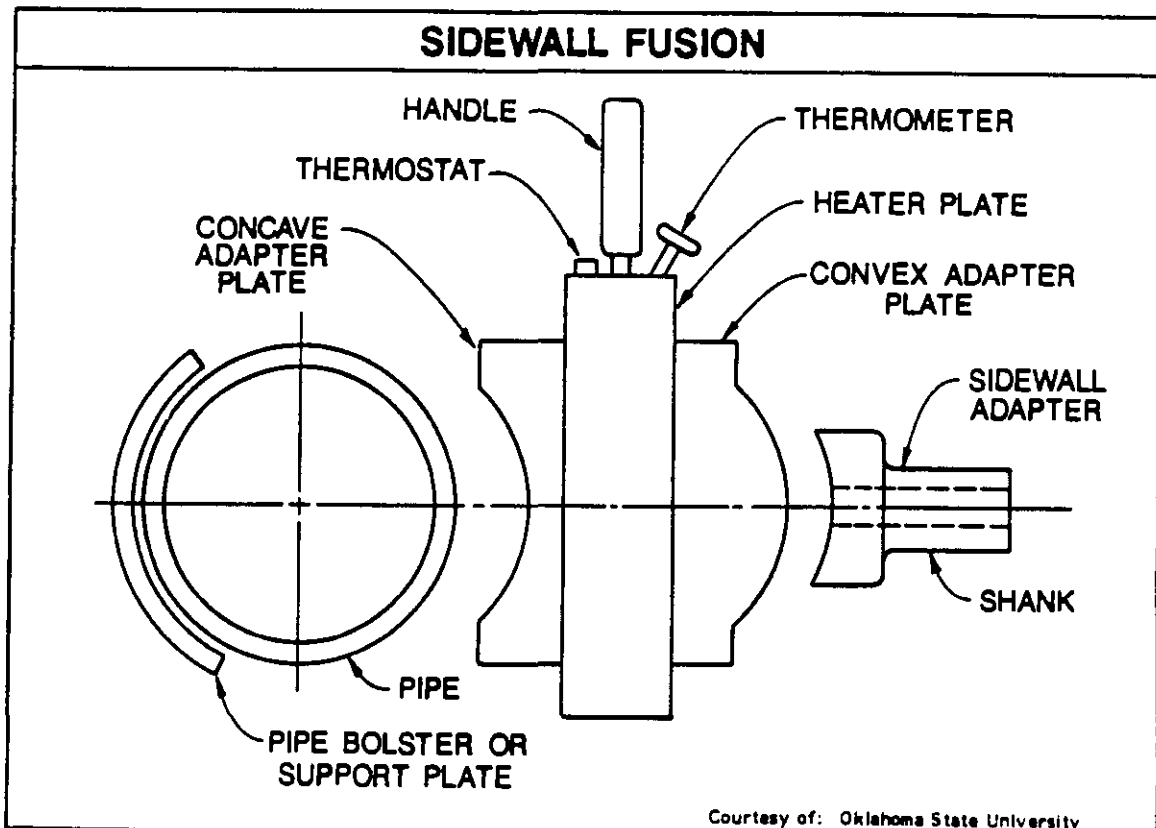


FIGURE 17

## PIPE JOINING METHODS

**HEAT FUSION**--Heat fusion is the process where plastic pipe materials are aligned, cleaned or trimmed, heated to their melting point, brought together, and allowed to cool to form a homogeneous material. The appropriate ASTM standards are:

1. D 2610 "Specifications for Butt Fusion Polyethylene (PE) Plastic Pipe Fittings, Schedule 40"

SCOPE:

2. D2683 "Specification for Socket-Type Polyethylene Fittings for Outside Diameter Controlled Polyethylene Pipe"

SCOPE:

3. D 2657 "Practice for Heat Joining of Polyolefin Thermoplastic Pipe and Fittings"

SCOPE: This practice describes general procedures for making joints with polyolefin pipe and fittings by means of heat-joining techniques in either a shop or field environment.

For reliability, all underground piping joints should be thermally fused rather than mechanically coupled. The arguments for this are:

1. Heat fusion joining results in a joint which is stronger than the pipe itself. The pipe wall at this point has a larger cross section which gives the joint the added strength.
2. The connection or joint is all plastic eliminating corrosion problems.
3. There are industry standards (ASTM, PPI, --) which have written guidelines for proper joining methods.
4. Training programs are available from the manufacturers of the pipe and fusion machines.

**HEAT FUSION METHODS**--The industry has accepted two heat fusion techniques, butt and socket. The fusion method chosen will depend on the pipe manufacturer's requirements and recommendations and the ease in which field personnel can be trained to reliably fabricate ground heat exchangers.

**SOCKET FUSION JOINING**--In the socket fusion method, the two pipe ends are joined by fusing each pipe end to a socket fitting (see Figure 15). This requires two heat fusion procedures for each joint.

**BUTT FUSION**--The second type of heat fusing joining is the butt fusion procedure where the 2 pipe ends are simultaneously heated to a plastic state and brought together to form the heat fused joint (see Figure 16). A single heat fusion process is required to form the joint between the two plastic pipe ends. The butt fusion process is performed by using specially designed machines (available from several manufacturers) which provide secure holding of the two pieces to be fused, aligning the pieces, trimming and squaring their ends, heating the surfaces to be joined, and butting them together while they remain in a plastic state.

**SIDEWALL BUTT FUSION JOINING**--In addition to joining the flat ends of pipe or fittings, the butt fusion process can also be used when joining the concave surface of a service saddle to the convex surface on the sidewall of a pipe (see Figure 17). This is done by heating these surfaces with appropriate convex and concave shaped heaters and then butting these surfaces together. This is known as sidewall fusion joining. Typical butt fusion fittings are illustrated in Figure 16.

**SELECTION OF HEAT FUSION METHOD**--Polyethylene is heat fused and joined using both butt and socket procedures. Material grade, density, etc. will determine if the particular grade can be fused with either method. Some high density polyethylene materials cannot be socket fused.

Polybutylene in the sizes used in ground heat exchangers is normally socket fused.

Both fusion procedures when properly done yield highly reliable joints that are stronger than the pipe itself.

#### IV. DESIGN OF EARTH COIL

Earth coupling is a method by which water used by the heat pump is circulated through pipes buried in the ground. Heat is transferred to and from the soil through the walls of the pipe. Earth coupled systems are used in areas where insufficient ground water is available, or disposal of well water is impractical, or regulations prohibit the use of well water, or the environment corrodes outdoor condensing units. The piping may be buried in either a vertical or a horizontal configuration.

The first recorded experience of earth coupling a heat pump was a 1912 Swiss patent. The next period of earth coupling activity occurred after World War II in both the United States and Europe. In the period from 1946 to 1953, twelve major earth coil research projects were undertaken by the Edison Electric Institute. This research developed many of the basic theories and designs that are used in earth coupling today. Work on earth coupling was terminated because of low energy costs.

The majority of the research work in the United States since 1978 has been conducted at Oklahoma State University (OSU). Currently many universities and utilities are conducting continuing studies of earth coils.

##### GUIDELINES PROCEDURE

1. Calculate the cooling and heat loads
2. Determine duct capacity
3. Select heat pump
4. Determine type of earth coil
5. Select pipe for earth coil
6. Calculate length of earth coil
7. Choose fluid in earth coil
8. Layout pipes and fittings
9. Calculate pressure drop in feet of head
10. Select circulating pump or pumps

**CALCULATE THE COOLING AND HEATING LOADS**--Use ACCA Manual J, ASHRAE, or equivalent method of calculating heat gains and losses for the building.

**DETERMINE DUCT CAPACITY**--Use ACCA Manual D, ASHRAE, or equivalent to determine the CFM capacity of the duct system. If it is a new building design, ductwork to meet the needs of the heat pump must be selected.

**SELECT HEAT PUMP**--In an earth coupled system, the heat pump should supply the entire cooling load at design maximum entering water temperature. There is no problem if the heat pump is oversized for the heating load. However, if the heating load of the building exceeds the cooling load, the heating capacity of the heat pump shall be equal to or greater than 70 percent of the design heating problem if the heat pump is oversized for the cooling load. Once the heating and cooling loads are known, the heat pump can be selected. In earth coupling applications, heat pump selection involves several important considerations.

Unlike in well water applications where water temperature is constant, earth coupled systems must be designed for entering water temperatures that may vary between 30 degrees on the low end and 110 degrees on the high end. Consequently, when selecting a heat pump for earth coupling, one must determine capacity and efficiency at both high and low design entering water temperatures.

DETERMINE TYPE OF EARTH COIL--There are three basic earth coil designs listed below in order of difficulty.

1. Single layer horizontal
2. Double layer horizontal
3. Single U-bend vertical

The trenches should be spaced a minimum of 5 feet apart. Single layer horizontal systems are usually trenched a minimum of 4 feet deep as far north as Indianapolis. But in northern locations such as Chicago, the trenches are usually 5 feet deep. Double layer horizontal systems are trenched at 6 feet with the pipes installed at 4 feet and 6 feet. The boreholes for vertical systems are spaced a minimum of 15 feet apart. The depth of the borehole is determined by drilling conditions.

Earth coil systems may be designed for series or parallel flow. Series flow is easier to install and test but usually requires larger diameter pipe. Vertical systems with series flow do not need to have the boreholes the same depth. Parallel flow requires more care in installation but usually reduces pipe diameter and pressure drop.

SELECT PIPE FOR EARTH COIL--After years of testing and experience, the plastic pipes listed below have been found to be the most cost effective for earth coils.

Polybutylene 2110 SDR 13.5	Polyethylene 3408 SDR 11
Polybutylene 2110 SDR 17	Polyethylene 3408 Schedule 40

Use either butt or socket fusion to join the plastic pipe as recommended by the pipe manufacturer.

CALCULATING LENGTH OF EARTH COIL--Table 1 shows typical earth coil lengths which will provide adequate system performance in those areas of the country depicted in the table. However, precise calculations which consider the unique characteristics of each locale can reduce the length of coil needed and enhance the performance of the system.

$$L_h = \frac{12,000 \text{ Btuh/Ton} (\text{COP} - 1/\text{COP}) \{R_p + (R_s)(F_h)\}}{T_l - T_{min}}$$

$$L_c = \frac{12,000 \text{ Btuh/Ton} (\text{EER}/3.41 + 1) - (\text{EER}/3.41)\{R_p + (R_s)(F_c)\}}{T_{max} - T_h}$$

Where:

L<sub>h</sub> = Heating length in feet per ton of heat pump capacity  
L<sub>c</sub> = Cooling length in feet per ton of heat pump capacity  
COP = COP of the heat pump at the design entering fluid temperature  
R<sub>p</sub> = Pipe resistance  
R<sub>s</sub> = Soil resistance  
F<sub>h</sub> = Heating run fraction  
T<sub>l</sub> = Low soil temperature at day T<sub>o</sub>  
T<sub>min</sub> = Design minimum entering fluid temperature  
EER = EER of the heat pump at the design entering fluid temperature  
F<sub>c</sub> = Cooling run fraction  
T<sub>max</sub> = Design maximum entering fluid temperature  
T<sub>h</sub> = High soil temperature at day to +180

**IMPORTANT:** Generally, in southern locales the cooling length will be longer while in northern areas the heating length will be longer. Always select the longest earth coil length for each installation.

The first element to consider is heat pump COP. Remember this is not the COP at well water temperature but the COP at the loop entering water temperature. This loop temperature will range between 30 and 50 degrees depending upon location and loop design. Typically the average January COP is between 2.8 and 3.1. Note that earth coil systems are designed for the peak demand months of January and August. As a result, a system may have a January COP of 2.9 and a March COP of 3.1. Some southern applications might have a COP greater than 3.1 but in those locations the cooling load is dominant.

Just as the COP must be for the January entering water temperature, so the EER must be for the August entering water temperature. Typically the entering water temperature ranges between 70 and 100 degrees. Typical EER values fall between 10 and 11.

Pipe resistance is the next element to consider. It is calculated using Fourier's equation.

$$R_p = \frac{L}{2 \pi K_p} \left\{ \frac{\ln D_o}{D_i} \right\}$$

$R_p$  = Pipe resistance

$K_p$  = Thermal conductivity of pipe (Btuh/Lft - degree F)

$\ln$  = The natural logarithm

$D_o$  = Pipe outside diameter (ft)

$D_i$  = Pipe inside diameter (ft)

The calculation of soil resistance is based upon the Kelvin Line Source Theory. This theory is set out in the following equation.

$$R_s = \frac{I(x)}{2 \pi K_s}$$

$R_s$  = Soil resistance

$I(x)$  = Integral

$K_s$  = Thermal conductivity of soil (Btuh) Lft - degree F

The above discussion assumes unfrozen soil. Frozen soil has less resistance to heat transfer. In addition, freezing soil releases 144 Btu/Lb of latent heat.

The heating run fraction is the percent of time the heat pump is assumed to run during the peak month of January. The cooling run fraction is the same except it represents the operation in August. Both numbers have been developed from a Department of Energy study and assume that the heat pump has a capacity equal to the design load of the building.

**CAUTION:** The run fraction will increase if the heat pump is undersized. For example, in Chicago, Illinois, the heating run fraction for 2,400 square foot medium insulated house is .44. If the heat pump supplies only 75 percent of the design heating load, then the run fraction will increase to more than .65. At some point, undersizing will lead to 100 percent run time or a run fraction of 1.0.

There are two benefits for sizing the heat pump as close to design load as possible.

1. It lessens any future residential demand charges for electricity and
2. It lowers the run fraction which increases.





The last element to be considered is the allowable temperature differential of the earth coil. This number is the amount of temperature swing from the peak soil temperature which the system is designed for and the heat pump can use. It can be expressed by the following equations.

$T_{hd} = T_i - T_{min}$   
 $T_{cd} = T_{max} - T_h$   
 $T_l =$  Low soil temperature  
 $T_h =$  High soil temperature  
 $T_{min} =$  Design minimum entering fluid temperature  
 $T_{max} =$  Design maximum entering fluid temperature

**NOTE:** Although Bard heat pumps can operate between 30 and 110 degrees, all designs should allow some margin for error.

$T_i$  and  $T_h$  represent the peaks of the annual temperature wave. This wave is represented by Figure 18. The formula for calculating the temperature of the undistributed soil at a depth for a given day is set out below.

$$T_d = T_m - A_s \{ e^{-X(\pi/365a)^{1/2}} \cos[2\pi/365(t-t_0) - x/2(365/\pi a)^{1/2}] \}$$

$T_d =$  Soil temperature on that day  
 $T_m =$  Mean annual soil temperature  
 $A_s =$  Annual soil temperature swing  
 $e =$  Exponential logarithm  
 $x =$  Depth in feet  
 $T =$  Day of the year  
 $T_0 =$  Phase constant, day of minimum surface temperature  
 $a =$  Thermal diffusivity of soil (ft<sup>2</sup>/day)

$T_m$  can be assumed to equal well water temperature from a well of 50 to 100 foot depth. It can be approximated by adding about 2 degrees F to the mean annual air temperature. Typically, the minimum surface temperature ( $T_0$ ) falls within one week of February 4. The maximum surface temperature will occur within about one week of August 5. There is a phase lag with increasing depth. This lag averages about one week per foot of depth.

For complete design data, refer to "Design/Data Manual for Closed Loop Ground-Coupled Heat Pump Systems" by J.E. Bose, published by American Society of Heating, Refrigerating and Air Conditioning Engineers, Inc., 1791 Tullie Circle, N.E., Atlanta, GA 30329 or attend a Factory School on Water Source Heat Pumps at Bard Manufacturing Company.

Bard Manufacturing will design the earth loop for you if you desire. Just complete the enclosed Worksheet, Form No. F1115 and send to:

Earth Coupled Loop System Design  
 Bard Manufacturing Company  
 P. O. Box 607  
 Bryan, Ohio 43506

The information will be inputted into a computer and a printout with various earth loop designs will be sent to you.

TABLE 1 TYPICAL TRENCH, (PIPE LENGTHS) AND HOLE DEPTHS PER TON\* FOR VARIOUS DESIGNS AND CLIMATES

	Number of pipes in trench and vertical spacing (4' - 6' horizontal)						
	Northern Climate			Southern Climate			
	1 at 5'	2 at 3', 5'	4 at 2', 3', 4', 5'	1 at 6'	2 at 4', 6'	4 at 3', 4', 5', 6'	
1-1/2" SCH.40 3408 Polyethylene	400' (400')	240' (480')	168' (672')	400' (400')	240' (480')	168' (672')	
3/4" SDR-11 3408 Polyethylene	460' (460')	275' (550')	192' (768')	460' (460')	275' (550')	192' (768')	
	Number of loops in wet hole. (10 - 15' horizontal spacing)						
	Northern Climate			OR	Southern Climate		
	1				2		
1-1/2" SCH.40 3408 Polyethylene	140' (280')				110' (220')		
3/4" SDR-11 3408 Polyethylene	170' (340')				135' (270')		

\*Capacity of unit at local ground water temperature. (Table practical for 50 degree F to 70 degree F ground water temperature in heavy soil (clay).  
 Contact Bard Manufacturing Company, Telephone: 419-636-1194 for additional information.  
 Table courtesy of Ditch Witch, The Charles Machine Works, Inc.; Perry, Oklahoma

TABLE 1A FIELD IDENTIFICATION OF INORGANIC SOIL TEXTURAL TYPES

Textural Type	GENERAL CHARACTERISTICS		Rubbed Between Fingers, Dry Conditions	Squeezed in Palm of Hand, Moist Conditions at Field Capacity	Rolled into Ribbon, Moist Conditions
	Main Fractions*	Appearance, Dry Conditions			
Sandy Soil	At least 85% sand particles	Crumbly with no clods or lumps; individual soil grains visible to the naked eye	Gritty: soil grains readily felt	Can form cast; crumbles with least amount of handling	Cannot form ribbon
Sandy loam soil	At least 50% sand particles; not more than 20% clay	Mainly crumbly and loose; grains readily seen and felt	Gritty: soil grains readily felt	Can form cast that will bear careful handling	Cannot form ribbon
Loam soil	At least 80% sand silt in about equal proportion; not more than 20% clay	Mainly crumbly; some clods or lumps	Fairly smooth but some gritty feeling; lumps easily broken	Can form cast that can be handled freely	Cannot form ribbon
Silt loam soil	At least 50% silt; not more than 20% clay	Quite cloddy but some crumbly materials	Lumps easily broken and easily pulverized; there-after floury texture and soft feel	Can form cast that can be handled freely; wet soil runs together and puddles	Cannot form perfect ribbon; has broken surface, cracks appear
Clay loam soil	20 to 30% clay	Fine-textured soil; quite cloddy but some crumbly material	Lumps hard; not easily broken	Can form cast that can be handled freely; soil plastic	Can form perfect ribbon but breaks easily
Clay soil	30 to 100% clay	Fine-textured soil; breaks into very hard clods	Lumps very hard; difficult, if not impossible, to break	Can form cast that can be handled freely; soil plastic	Can form ribbon that will support its own weight
Silt soil	At least 80% silt				

\*Based on the textural classification of the U.S. Bureau of Public Roads.  
 Refer to text for: shaking (dilatancy) test, shine test, dry-strength test.

Source: Soil Thermal Characteristics in Relation to Underground Power Cables. 14

\*\*\*\*\*  
BARD EARTH LOOP DESIGN

SEND TO: JOHN SMITH HEATING & COOLING DATE:10/5/90  
WILLOW ST.  
BRYAN, OHIO 43506

Job Name or NO.: BRYAN PROFESSIONAL BUILDING Located in: BRYAN, OHIO  
Geographic Location used for Design Data: Toledo, OH

SPECIAL INFORMATION:

.....  
BUILDING LOAD & LOCAL EARTH DATA

- 1. BUILDING Cooling Gain: 63452 BTUH Heating Loss: 53719 BTUH
- 2. Local Ground Water Temperature 52 F
- 3. Soil Type: Winter DAMP-HEAVY SOIL (CLAY) Summer DAMP-HEAVY SOIL (CLAY)
- 4. Annual Anticipated SOIL Temp. Swing Deg. F° 25
- 5. Approx. Earth Temp. Aug. 20th 67 and Feb 20th 36 @ 4 FT/ Depth

\*\*\*\*\*  
DESIGN FOR HORIZONTAL EARTH LOOP

- 1. PARALLEL FLUID FLOW through the Pipe System.
- 2. Length of PIPE for this earth loop is 2363 Ft.
- 3a. 2 PIPES/STACKED IN TRENCH 2' APART WITH BOTTOM PIPE @ Ave. 5 Ft. Depth.
- 3b. Pipe(s) layed in 3 Loop(s) 787 Ft long each.
- 4. Length of TRENCH for Unit 1211 Ft.
- 5. PE SCH 40 1 IN. Pipe 1.049 I.D.
- 6. PE SCH 40 1-1/2 IN. Pipe Headers 60 Ft length.

\*\*\*\*\*  
>>> REQUIRED BARD EQUIPMENT FOR SYSTEM <<<

Use WATER SOURCE HEAT PUMP MODEL(S): WPV62A, WPVD62A OR WPV62B  
With 4 KW OF Resistance Electric Heat. 15 KW is required for 100% backup.

.....  
Operating Liquid Temp. Range is 30 F. to 110 F. @ 13 GPM fluid flow rate.  
Performance at average Local Earth Temp. of 52 F. is: HEATING 53500 BTUH  
3.056 COP, COOLING 63500 BTUH 13.36 EER

Max. & Min. Anticipated Loop Fluid Temperatures during NORMAL Operation:  
COOLING 84 FLUID TEMP. Unit Cap. 55419 BTUH 9.481302 EER  
HEATING 30 FLUID TEMP. Unit Cap. 37000 BTUH 2.77 COP

\*\*\*\*\*  
CIRCULATION PUMP and ANTI-FREEZE DATA

- 1. Select a Circulation pump that will pump a minimum of 13 GPM fluid flow rate at a 54.94982 Ft.Hd. (see Manual 2100-099)  
Tptal System Pressure Loss (AS DESIGNED ABOVE) is 54.94982 Ft.Hd. at a 13 gallon per minute fluid flow rate (see following).  
WSHP coil= 33.592 Ft.Hd. + 25Ft. of 1 in. connection hose= 3.516652 Ft.Hd. + pipe header= 1.1178 Ft.Hd. + Earth pipe loop= 16.72336 Ft.Hd.

- 2. For 18F. Freeze Protection add 25 GALLONS OF PROPYLENE GLYCOL  
Total gallons of fluid in Loop System above is: 116 Gals.

-----  
For more information about circulation pump sizing, anti-freeze or before instal-  
-ling this earth loop system read BARD MANUAL 2100-099!

#####  
DESIGN ON THIS PAGE IS APPLICABLE ONLY TO BARD HEAT PUMPS.  
THIS INFORMATION IS BASED ON THE LATEST THEORIES AND PERFORMANCE DATA AVAILABLE  
AND IS SUBJECT TO CHANGE WITHOUT NOTICE AS ADVANCES IN TECHNOLOGY ARE MADE.  
#####

## V. INSTALLATION OF THE EARTH COUPLED GROUND HEAT EXCHANGER

IN THIS SECTION--Site Plan, Installation Equipment, and Pipe Installation Considerations.

Installation of the ground heat exchanger will for most persons involve a new skill or trade. As the industry develops, it appears that a new trade is being formed, that is, the notion of a loop installer whose primary purpose is to install, pressure test, and connect it to the residence. In this way, the HVAC person sees two water lines or taps that can be connected to the heat pump as specified by the manufacturer, distributor, or dealer. The loop contractor in many cases is responsible for final grading and restoration. In any case, the person responsible for the overall project must be identified to the customer.

### SITE PLAN

The site plan is a location description of the buried underground utilities that serve a given area. Two things are for certain:

1. Memories fail and utility lines seem to move underground with time and
2. Installation costs go up dramatically as the number of services are cut or severed.

Figure 21 has some of the types of services that need to be identified by locator services that are available in most areas. The location description and sketch should include:

1. The location of all buried utilities. Locator services for electrical, telephone, and gas service are available and can usually be found in the local telephone book. These services are generally at no cost to the homeowner or contractor.
2. The location of the ground heat exchanger should be established from two permanent points in case of future excavations.

The owner should be consulted to determine if:

1. Special areas are to avoided. Trees, shrubs, and gardens that are not to be disturbed should be identified.
2. Acceptable locations for entry and exit of heavy equipment. Be cautious, they may not know the limits of their driveway. The contractor is generally liable! A lightweight machine with large flotation tires can reduce pavement and yard loads. Machine with four-wheel steer can maneuver in crowded locations.
3. Services like underground water sprinklers may not be known or easily identified by the contractor. Ask the owner to uncover these buried systems or agree in writing in advance that the contractor is not liable.

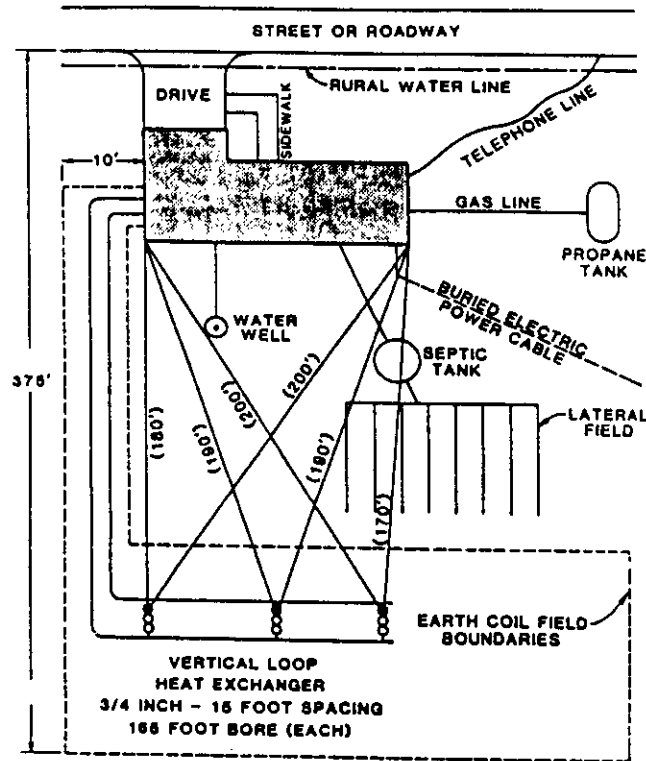
### INSTALLATION EQUIPMENT

Chain trenchers, bulldozers, backhoes, and vibratory plows are used to bury horizontal ground heat exchangers. The economic choice of which machine to use depends on local site conditions and the competition situation. Generally speaking, the machine which moves the least amount of soil will be the most cost productive. Figure 22 describes the various machines that have been used to bury horizontal ground heat exchangers.

**CHAIN TRENCHERS**--In many cases, trenchers are the most economic choice since the amount of soil or dirt removed is minimal when compared to other methods, and trenching productivity is usually much higher than that of a backhoe. Systems are now being developed which allow the automatic placement and backfilling of multiple pipes in a single trench simultaneously. A trailing vibrator and the addition of water to form a slurry has increased productivity significantly for the multiple pipe system. Trench widths are about 6 inches with depths to 7 feet for 65 horsepower trenchers. The most common size chain trencher is in the depth range of 3

to 5 feet. A 6 foot boom costs about 5 percent of the cost of a trencher. Multiple pipes in the trench greatly reduce trench length and the area required for a horizontal buried pipe system.

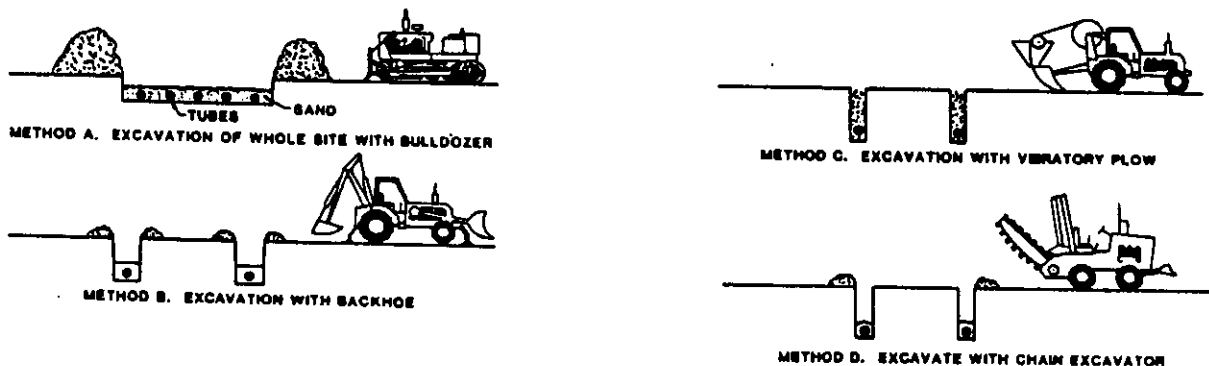
FIGURE 21  
LOCATION DESCRIPTION OF UNDERGROUND UTILITIES  
COURTESY OF OKLAHOMA STATE UNIVERSITY



**BULLDOZERS**--Method A using a bulldozer would only be appropriate if the soil had been removed for some other purpose or if excavation for a large header system were required.

In larger installations in Europe, track type machines have been used to plow in horizontal ground heat exchangers and backfill around the pipe in a continuous operation. The backfill process consists of a hopper and chute arrangement which places the material in the immediate pipe area.

FIGURE 22  
FOUR BASIC INSTALLATION TECHNIQUES  
COURTESY OF OKLAHOMA STATE UNIVERSITY



**BACKHOES**--Backhoes (Method B) have been used where there is a presence of rocks, cobbles, or boulders which are too large or too hard to be removed by a chain trencher. Backhoes have also been used where more than one pipe is placed in a single trench either stacked vertically (such as 1 x 2) or multiple pipes placed horizontally in several layers (2 x 3). NOTE: The nomenclature 1 x 2 defines a pipe system of 1 level or layer and 2 pipes. A system of three pipes at 2 levels or layers would be denoted as 2 x 3. The backhoe may also be used to open the site from the foundation to the ground heat exchanger. The soil removed by a backhoe tends to be lumpy and can leave air pockets around the pipes greatly reducing the heat transfer.

**VIBRATORY PLOWS**--Vibratory plows are commonly used at depths not greater than 3 feet. To facilitate rapid burial, a vibrator or vibratory plow is used to improve the speed of placement and reduce the size of machine. Loose or unstable soils are also amenable to this type of pipe placement and they work better than a chain trencher in glacial till. The shallow depth results in larger seasonal soil temperature swings and longer lengths of pipe.

**DRILLING MACHINES**--Drilling is required to install vertical loops. Two applicable techniques for boring holes are: (A) mud and air rotary drills, and (B) standard augur or hollow-stem augur drilling. Boring holes for earth loop inserting and boring holes in order to find and produce water wells are two completely different tasks. The ground heat exchanger application is much simpler. Since the objective is to install a specified length of heat exchanger in a vertical configuration, it is not important to reach a given depth at a particular site. If 600 feet of bore hole is required, two 300 foot vertical bore holes are acceptable and may be more cost effective. Soil and rock conditions will determine drill rates and consequently determine an economic borehole depth. Since ground temperatures fluctuate near the surface, hole depths greater than 50 feet are normally recommended. However, the 50 foot depth is not a minimum value. Some general guidelines are as follows:

1. Soil moisture and temperature stability generally increase with depth which favors the deeper holes.
2. Fewer holes mean less connections at the surface which can be a time saver, also less surface area required.
3. If "many" holes are drilled, several boreholes may need to be connected in series before tying back to the main header. Too many parallel flow paths can result in low flow and reduced performance of the ground heat exchanger.
4. If hard rock layers are encountered, it may be more profitable to move and repeat the process.
5. Extensive hard rock in a drilling service area can easily justify a down-hole hammer or the use of a rock quarry drilling contractor with a top-hole hammer.
6. Vertical loops using 3/4 inch or 1 inch pipe and a close U-bend require only a 3 - 4" hole. This smaller drilling system needs less mud flow, a smaller and less expensive bit, smaller mud pans, a smaller mud pump, and results in less wear and tear on the mud pump. In many cases, this will result in lower drilling costs.

The borehole does not need to be cased for performance reasons. It may need to be cased if the soil is unstable or a formation presents a problem due to lost circulation during drilling. The borehole must only remain open long enough to insert the ground heat exchanger. Most of these problems can be controlled by proper mud formulation and use. Drilling rates are faster than water well drilling which generally requires sampling and casing. Well completion procedures are not required which greatly reduces time and cost.

In mud or air rotary drilling, the drill rig rotates the drill pipe and sends either high pressure fluid (air, water, or mud) down the inside of the drill pipe to lubricate and cool the bit and to bring the cuttings back to the surface along the outside of the drill string. In rotary mud drilling, removed soil or earth is collected in a mud pan to be replaced in the hole or removed from the job site if necessary. Drilling mud (bentonite or fluid additives) are added to the mud to control its viscosity and to prevent a number of drilling problems. If the drill cuttings are of a high density, the drilling fluid viscosity must be increased to carry the cuttings to the surface. The mud must also be dense enough to support the borehole wall if the

surrounding soil is unstable or be mixed to form a clay deposit on the wall of the hole if the mud tries to lake through the wall of the hole into a porous formation. The proper mud mix can also prevent swelling. A less dense mud may be required to keep mud from migrating through surrounding porous formations.

In extreme cases of unstable soils, drill pipe with large inside diameters are used which allow loops with U-bends to be inserted inside the drill string before its removal. The drill bit in this case has a knockout point which allows the U-bend and loop to remain in the bore hole while the drill string is removed.

In hollow-stem augur drilling, the drill rig rotates a hollow augur with cutting teeth and a temporary point at the bottom. The drilling operation may be completely dry and hence clean at the surface. Most of the cuttings are brought to the surface but some of them are simply pushed into the walls and compacted in place. The hollow augur essentially serves as a casing in the hole as it is drilled. When a hole is completed, the point at the bottom of the augur is pulled, the ground heat exchanger is inserted, and then the hollow augur is pulled or screwed out. In some designs, a disposable bit point is used which allows a weight on a rope to be used to "knock out" the disposable point. Augur drilling is applicable in a limited number of different soils and can present some serious problems in clay or adhesive soils or rock. In moist soils, augur drilling is slower than rotary mud or air drilling.

## PIPE INSTALLATION CONSIDERATIONS

Consistently successful plastic pipe installations for ground heat exchanger applications are the result of good planning, the use of suitable materials and equipment, and close attention to the correct procedures.

Time spent in careful planning will substantially reduce the time and cost of the installation.

The following factors should be considered during planning:

1. Depth of trench as influenced by climate, soil type, and size of trencher available.
2. Length of trench as influenced by the area available, the heating and cooling load, the number of pipes in the trench, type of soil, and moisture content of soil.
3. Depth and number of vertical holes, if used, as influenced by the area available, obstruction, the heating and cooling load, and soil and rock types.
4. Trench pattern as influenced by above and below ground obstructions, ground slope, trenching turn radius limitations, backfilling and restoration requirements. (Be sure all buried conductors are located and marked).
5. Type and size of trenching chain, as influenced by type of soil and rock, depth of trench, and size of trencher.
6. Type of plastic pipe. Use of high quality polyethylene or polybutylene. PVC is not acceptable in either heat transfer characteristics or strength.

Several factors to be considered regarding the trenching phase in order to minimize problems are time and cost.

1. A combination of narrow chain, correct teeth, 4-wheel steering for maneuverability, 4-wheel drive for good traction, good backfilling capability with a 6-way blade, and high enough horsepower to finish most jobs in one day, will minimize expensive interruptions and complications due to weather and variations in soil conditions.
2. Remove rocks left in the bottom of the trench to eliminate damage to the pipe. Use long-handled tongs.
3. A backhoe attachment with a 12 inch bucket may be needed to dig out large rocks and dig access hole at the building.



4. Where murky or sandy conditions cause caving, use a pipe guide mounted on the trenching boom to guide the pipe down to the bottom of the trench as it is dug.
5. Two by six (2 x 6) boards inserted in previously dug trenches and wedged will prevent dirt from an intersecting trench from having to be removed from the previous trench. Place a piece of plywood over the near length of the previously dug trench.

The pipe installation phase can be accomplished as this trenching proceeds. Be sure that the following procedures are followed:

1. Inspect the trench to insure that rocks are removed. Also remove rocks from the edge of the trench and from the top of the spoils pile so they will not fall in with the 4 - 6 inch of fines or sand that are first put in the trench to support and cover the pipe for protection.
2. Inspect the pipe as it is laid out beside the trench for cuts, kinks, or other damage.
3. Make all joints while the pipe is laying beside the trench and test with 40 psi air pressure and soap.
4. Joints must be mechanically strong enough to force the pipe to absorb the stress and strain of the length expansion and contraction caused by the temperature changes in the circulated water. Pipe ends should be extra long and not cut for attaching the end fittings until the rest of the pipe has reached soil temperature in the trench.
5. Carefully lower the pipe into the trench after the bottom has been again checked for rocks and the fines smoothed.
6. If the soil is a heavy clay in very dry climates, it may shrink away from the pipe as it dries when heated during the summer cooling cycle operation of the heat pump. Use a sand fill around the pipe or a subsoil drip irrigation line buried a few inches above the pipe. The sand will crumble to maintain contact with the pipe. Add water with a drip line when in-out water temperature indicates reduced heat transfer through the pipe to the soil.

The backfilling is critical and its successful completion depends on the following good procedures.

1. If the rocks have been removed from the edge of the trench and the top of the spoils pile and the dirt has not formed clods due to rain, an experienced trencher operator can angle-blade the top of the spoils pile into the trench on the first pass. A worker should follow closely and tamp the fins by hand and make sure no rocks fall in.
2. Several more passes with the angle blade should be used to make the backfilling as uniform as possible and to prevent bridging.
3. Several stages of tamping and rolling over with the trencher wheels may be necessary to complete the job.

Additional considerations are required when closed vertical loops are used in limited site areas.

1. SOIL CONDITIONS--These will determine whether the augur, recirculating mud, or down-hole hammer method is used. It will also determine the type of drill bit and whether a mud additive is required.
2. The depth and number of holes for vertical loops depends on the heating and cooling load, the drilling rate, the site area, soil and rock types, and moisture level.
3. Each loop should be assembled, laid out straight, taped to reduce springback friction, and carefully tested for leaks and flow before the hole is drilled so that it can be lowered into the hole before it can cave in or the mud can settle to the bottom of the hole. The hole should be 5 - 10 feet deeper than the length of the loop to accommodate expansion of the loop. Fill the loop with water prior to insertion. If the hole

is to be grouted in place, it should be filled with water and pressured to a level that will prevent the pipe from being crushed by the denser backfill material.

Taping short lengths of scrap steel rebar on the end of the pipe loop will hold the loop end straight and offset buoyancy of the plastic to make insertion easier and faster.

4. Test the loops after they are connected with 40 PSI air or water.
5. If the water table is low, pea gravel and a broad grade sand should be filled in around the pipes above the water table so that good thermal contact can be maintained at all times.
6. The hole can be filled with grout, if required, using a small plastic discharge pipe inserted with the loop.

## INSTALLATION CHECKLIST

### BURIED PIPE SYSTEM DESIGN

- Heat pump sized
- Water pump pressure, GPM, specified
- Type, diameter, length of pipe
- Type of joint specified
- Climate, zone location
- Designed heating and cooling load specified
- Soil moisture and type specified
- Heat pump COP\* specified (\*Coefficient of Performance)
- Pipe depth specified
- Need for sand or drip system specified
- Backfilling specified
- (Other) \_\_\_\_\_

### PLANNING

- Buried pipe system design completed
- Pipe and fittings as specified on layout are on hand
- Flagging of existing buried conduit and WSHP pipe route is scheduled
- Soil and rock characteristics have been determined
- Size and type machine is scheduled. Larger trencher can complete job faster if weather is limiting factor
- Alligator chain with Tungsten carbide mining teeth scheduled for installation, if needed
- Backhoe scheduled for installation, if needed
- Pipe, fitting, clamps, fusion machine scheduled
- Testing pump, reservoir, valve gauge assembly scheduled with correct size fittings for pipe
- Sand scheduled, if needed
- Buried drip irrigation pipe scheduled if seasonal soil moisture control desired
- (Other) \_\_\_\_\_

### TRENCHING

- Is job site flagged for buried conduits and WSHP pipe route
- Alligator chain with Tungsten carbide mining teeth for frozen soil and rock
- Feed chute for unstable soils
- Backhoe for access holes, large rocks
- Tongs, narrow hoes for removing loose rocks. Shovels, including long handle and narrow
- Fuel, oil, grease gun, tools, fuel filter cartridge, tire gauge, trailer spare
- Water hose
- Extension cord, trouble light, flood light, flashlight
- Boards, plywood strips for intersecting trenches, claw hammer, nails
- (Other) \_\_\_\_\_

### PIPE INSTALLATION AND TESTING

- Correct size, length, and type of pipe. DO NOT USE PVC PIPE
- Fittings, fusion machine, heavy extension cord
- Pipe cutter
- Type 300 stainless steel clamps. Make sure screws are not plated steel
- Torque wrench for clamps
- High pressure water pump with reservoir, valves, gauges, correct fittings for pipe
- Anti-freeze
- Sand, if needed
- Buried drip irrigation pipe, if needed
- (Other) \_\_\_\_\_

COMPLIMENTS OF DITCH WITCH

## VI. THE CIRCULATION SYSTEM DESIGN

Equipment room piping design is based on years of experience with earth coupled heat pump systems. The design eliminates most causes of system failure.

Surprisingly, the heat pump itself is rarely the cause. Most problems occur because designers and installers forget that a closed loop earth coupled heat pump system is NOT like a household plumbing system.

Most household water systems have more than enough water pressure either from the well pump or the municipal water system to overcome the pressure or head loss in 1/2 inch or 3/4 inch household plumbing. A closed loop earth coupled heat pump system, however, is separated from the pressure of the household supply and relies on a small, low wattage pump to circulate the water and antifreeze solution through the earth coupling, heat pump and equipment room components.

The small circulator keeps the operating costs of the system to a minimum. However, the performance of the circulator MUST be closely matched with the pressure or head loss of the entire system in order to provide the required flow through the heat exchanger. Insufficient flow through the heat exchanger is one of the most common causes of system failure. Proper system piping design and circulator selection will eliminate this problem.

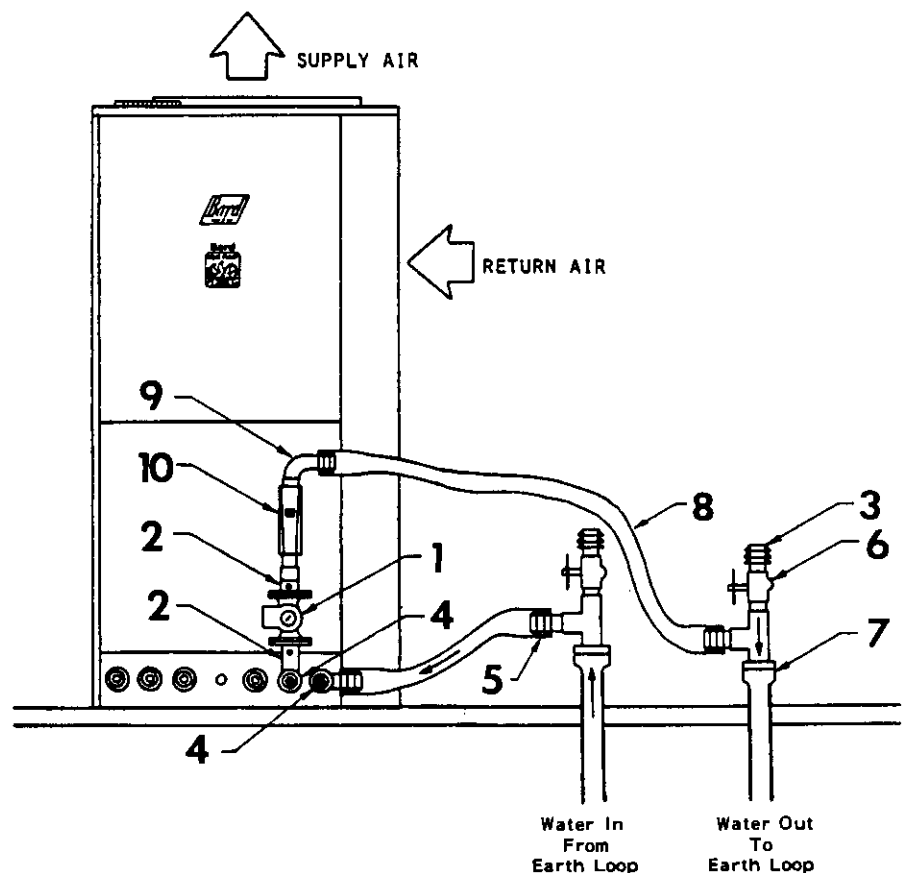
Bard supplies a worksheet to simplify head loss calculations and circulator selection. Refer to "Circulating Pump Worksheet" section.

Two general methods are used to pipe the water circuit in the equipment room. The first and easiest to use is to install a pump module. This module comes complete with connecting hose and heat pump adapters available from module manufacturers. A second method is to "site build" the piping at the installation.

To move the transfer fluid (water or propylene glycol and water solution) through the earth loop system and the water source heat pump, some type of circulation system is required. Design of circulation system must include provisions for the following (see Figure 23):

1. Selection of a circulation pump or pumps for total system.
2. Providing air bleed off before start-up running.
3. Providing for flow monitoring.
4. Positive pressure control and limiting.
5. Antifreeze charging capability.

FIGURE 23  
CLOSED LOOP EQUIPMENT ROOM PIPING  
DRAWING COMPLIMENTS OF OKLAHOMA STATE UNIVERSITY



NOTE: All indoor piping must be plastic if calcium chloride antifreeze is used.

NOTE: The expansion and contraction of earth loop piping will cause a 50 to 60 psig water pressure change in system between summer to winter.

The components for a circulation system are (see Figure 23):

1. Circulating Pumps are engineered for each individual system to provide the correct water flow and overcome the friction loss of the system piping. Isolation flanges or ball valves to insulate pump from system are required on pump. You need to be able to remove the pump from piping without losing the transfer fluid for repairs if ever required. Stainless steel pump body required for use with calcium chloride antifreeze. \*

\*Determining pressure drop and selecting a circulation pump or pumps. It is very important in selecting the circulating pump that a very accurate pressure drop calculation be made because final pressure drop at the selected pump must pump against will to determine the actual flow rate (GPM) that is delivered to the water source heat pump, the pumping cost and efficiency of the entire system.

2. Ball Valve and Flange
3. Barb X MIP Brass Adapter
4. Brass Test Plugs--In order to start up and troubleshoot a closed loop system properly, water in and water out temperatures at the heat pump must be monitored. A test plug is installed on one leg of each connection line. A probe thermometer can be temporarily inserted, the temperature monitored and the thermometer removed. Use one thermometer to monitor these temperatures. Using two different thermometers to measure the temperature differential can introduce large measurement errors.
5. Bard X Insert Brass Adapter
6. Two Boiler Drains are located on both sides of the circulator for final filling, air purging and antifreeze addition.

The top drain should be the highest point in the equipment room piping. This will help purge air out of the system during final filling at start up.

7. PB or PB pipe to fit transition.
8. One inch reinforced flexible hose
9. 90 degree street ell (brass)
10. Flow Meter (Bard part No. 8603-012)--On water-in side to monitor water flow.

## HEAT PUMP CONNECTIONS

The units have various female connections. To keep head losses small, all piping and components in the circulating pump are one inch. The transition from one inch will be made at the heat pump.

Be sure to use a back-up wrench when installing the adapters to the heat pump.

## PIPING CONNECTIONS

Up to 25 feet of reinforced flexible hose is used. Cut hoses to the desired lengths and install with as few bends as possible. Close bends increase pipe head loss so any bends should be as wide as possible. Use the clamps to secure hoses in position.

FIGURE 24

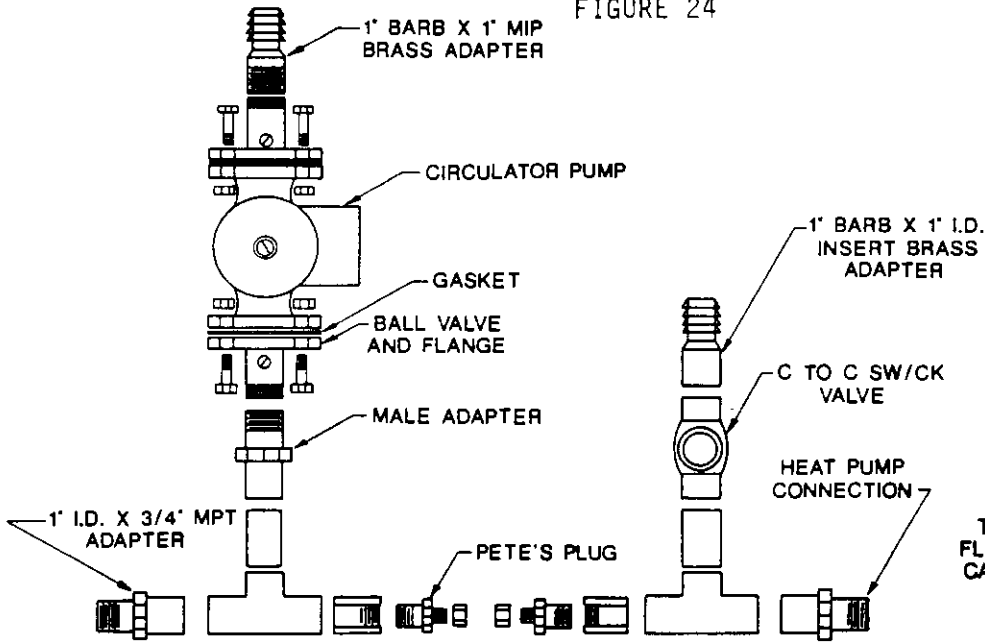


Figure 25

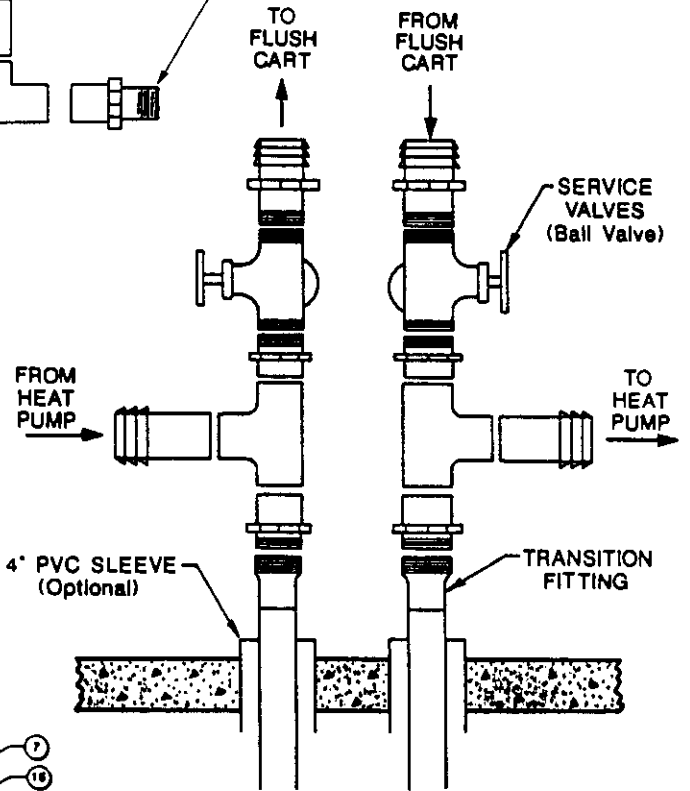
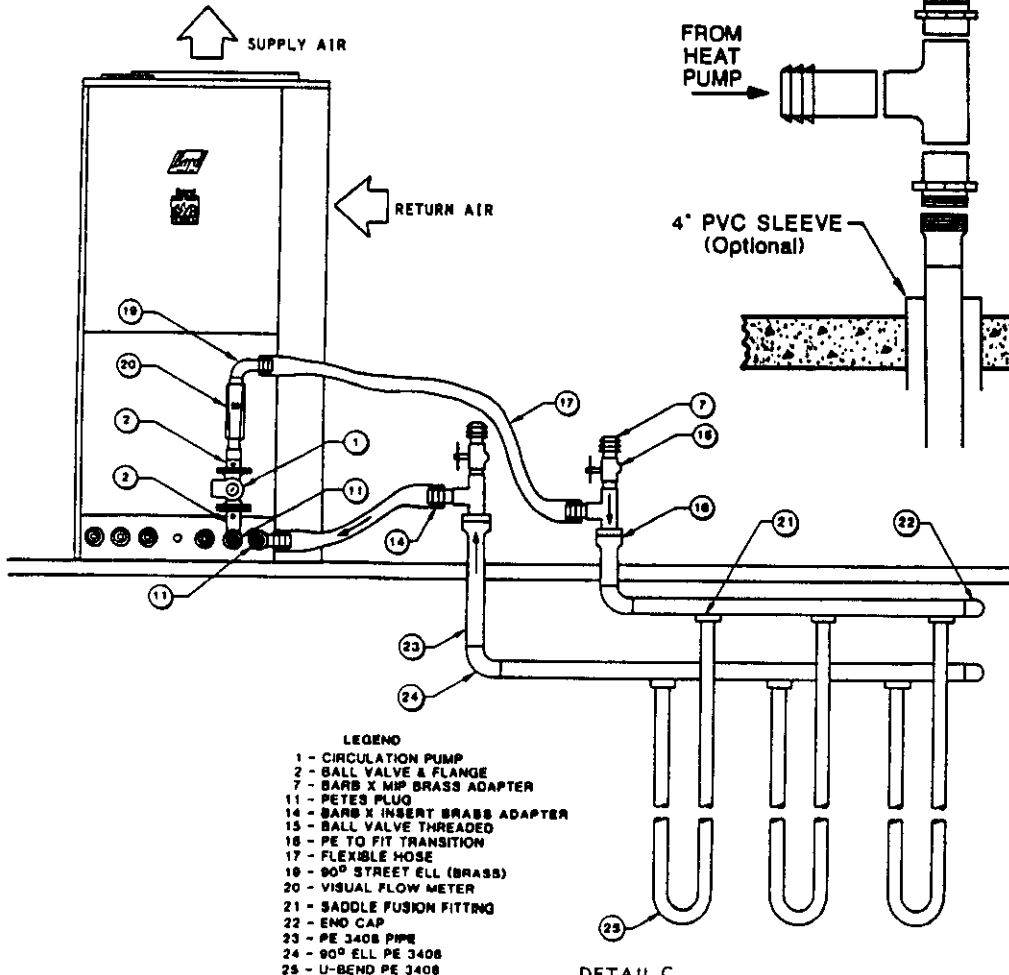


FIGURE 26



- LEGEND
- 1 - CIRCULATION PUMP
  - 2 - BALL VALVE & FLANGE
  - 7 - BARB X MIP BRASS ADAPTER
  - 11 - PETE'S PLUG
  - 14 - BARB X INSERT BRASS ADAPTER
  - 15 - BALL VALVE THREADED
  - 16 - PE TO FIT TRANSITION
  - 17 - FLEXIBLE HOSE
  - 19 - 90° STREET ELL (BRASS)
  - 20 - VISUAL FLOW METER
  - 21 - SADDLE FUSION FITTING
  - 22 - END CAP
  - 23 - PE 3408 PIPE
  - 24 - 90° ELL PE 3408
  - 25 - U-BEND PE 3408

DETAIL C

Polybutylene may also be used in place of Polyethylene pipe shown on drawings.

Drawings courtesy of Oklahoma State University.

## CIRCULATING PUMP WORKSHEET

1. Find the Bard heat pump model used in Table 2. MODEL \_\_\_\_\_
2. Enter water coil head loss (Table 2): \_\_\_\_\_ ft. hd.
3. Continue across Table 2 to find GPM flow required for this heat pump. \_\_\_\_\_ GPM
4. Count each elbow, tee, reducer, air scoop, flowmeter, etc., as 3 feet of pipe equivalent. Add the equivalent feet of pipe to the actual feet of pipe used. The total length is used to determine the pipinq heat loss below.

Pipe Type and Size	No. Elbows, Tees Devices, Etc *	x 3	Equiv. Ft. Of Pipe	Actual Pipe Used	Total Pipe Length
_____	_____	x 3	_____	_____	_____
_____	_____	x 3	_____	_____	_____
_____	_____	x 3	_____	_____	_____
_____	_____	x 3	_____	_____	_____
_____	_____	x 3	_____	_____	_____

\*If the pipe is bent at a 2 foot radius or larger, DO NOT figure the curve as an elbow.

5. PIPING HEAD LOSS for different types of pipe at GPM flow rate of water source heat pump. NOTE: For parallel earth loop system, figure for only one loop.

Pipe Type and Size	Total Pipe Length	-	100)	Piping** Head Loss (Table 3)	=	ft. hd.
_____	( _____	-	100)	_____	=	_____ ft. hd.
_____	( _____	-	100)	_____	=	_____ ft. hd.
_____	( _____	-	100)	_____	=	_____ ft. hd.
_____	( _____	-	100)	_____	=	_____ ft. hd.
_____	( _____	-	100)	_____	=	_____ ft. hd.

\*\*For a parallel earth loops, divide the heat pump GPM (line 3) by number of loops to determine flow rate through each individual loop to select piping head loss.

SUBTOTAL \_\_\_\_\_ ft. hd.

6. Multiply SUBTOTAL by multiplier (see Table 5) to obtain TOTAL HEAD LOSS FOR SYSTEM using antifreeze solution.

TOTAL HEAD LOSS \_\_\_\_\_ ft. hd.

7. PUMP SELECTION: Use Table 4 and flow rate, (line 3). Select the pump output which is larger or equal to the TOTAL HEAD LOSS FOR SYSTEM (line 5 or 6).

Circulating Pump Model \_\_\_\_\_ No. Pumps \_\_\_\_\_

If the TOTAL HEAD LOSS calculated in line 6 is greater than the pump outputs listed in Table 4, go to the pump manufacturer's performance curves and find the required GPM flow for the heat pump. Pump performances are listed for each pump model at different flow rates.

Series pump performance is simply a TOTAL OF THE INDIVIDUAL PUMP PERFORMANCES. If one pump can overcome 10 feet of heat loss, two can overcome 20 feet of head loss, three can overcome 30 feet of head loss, etc.

\*\*\*\*\* REMEMBER: UNDER NO CIRCUMSTANCES MIX DIFFERENT PUMP SIZES WHEN USING PUMPS IN SERIES. \*\*\*\*\*

F1125-890

TABLE 2 WATER COIL PRESSURE DROP

Model	WQS30A	WQS36A	Model	WQS42A	WPV62B
	WPV30B	WPV36B		WPV53B	
GPM	Feet Head	Feet Head	GPM	Feet Head	Feet Head
4	4.6	4.4	6	5.8	5.8
5	6.9	4.6	7	7.4	8.1
6	10.0	5.5	8	9.2	10.4
7	13.1	6.9	9	12.0	12.9
8	17.3	9.0	10	15.0	15.5
9	21.9	12.7	11	17.8	18.5
10	27.7	17.5	12	20.8	21.5
11	34.1	24.0	13	24.2	24.7
12	40.6	35.3	14	27.7	28.4
13	46.8	47.5			

TABLE 4 SELECTION OF CIRCULATION PUMP OR PUMPS

Pump Output (Feet of Head) @ GPM @ Top Of Column	Grundfos* Pump Models	No of Pumps	Water Flow Rate Required in G.P.M.						
			4	5	6	8	10	12	13
	UP43-75F	1	24.5	24	23.5	23	22	21	20.5
	UP26-64F	1	22.5	21.5	20.5	19	17.5	16	15
	UP26-64F	2	45	43	41	38	35	32	30
	UP26-96F	1	26.5	26	25	22.5	20	18	16.5
	UP26-96F	2	53	52	50	45	40	36	33
	UP26-99F	1	30.5	30	29	28	27	25	24
	UP26-99F	2	61	60	58	56	54	50	48

\*Other models of circulation pumps may be used. Consult the manufacturer's specifications

TABLE 3 MINIMUM FLOW IN PIPE FOR TURBULANCE (GPM)\*

Nominal Pipe Size (Pipe ID)	Water at 40 deg F	20% Calcium Chloride	Propylene Glycol	Methanol
		25 deg F	20% 25 deg F	20% 25 deg F
PE (SDR-11)				
3/4" (0.86)	1.1	2.3	3.4	2.4
1" (1.077)	1.3	2.9	4.4	3.1
1-1/4" (1.385)	1.7	3.6	5.5	3.9
1-1/2" (1.554)	1.9	4.1	6.3	4.4
2" (1.943)	2.4	5.2	7.9	5.5
PE (SCH 40)				
3/4" (0.824)	1.0	2.2	3.3	2.3
1" (1.049)	1.3	2.8	4.2	3.0
1-1/4" (1.380)	1.7	3.7	5.6	3.9
1-1/2" (1.610)	2.0	4.3	6.5	4.6
2" (2.067)	2.5	5.5	8.4	5.9
PB(SDR-17, IPS)				
1-1/2" (1.676)	2.1	4.5	6.8	4.8
2" (2.095)	2.6	5.6	8.5	5.9
PB(SDR-13.5, CTS)				
1" (0.957)	1.2	2.5	3.9	2.7
1-1/4" (1.171)	1.4	3.1	4.7	4.9
1-1/2" (1.385)	1.7	3.7	5.6	3.9
2" (1.811)	2.2	4.8	7.3	5.1

\*For each separate loop.

NOTE: When selecting pipe size for parallel flow, it is necessary to maintain turbulent flow in the earth coil for heat transfer. The table above lists the minimum flows for turbulence.

TABLE 5 PIPING FEET OF HEAD LOSS AT DIFFERENT FLOW RATES PER 100 FEET

Pipe Size and Material	G.P.M. FLOW RATE										
	DI	1	2	3	4	5	6	8	10	12	14
Connection Hose 1"	1.050	*	*	*	1.33	1.95	2.68	4.43	6.53	8.99	11.77
PVC 3/4" - 200 PSI		*	*	*	3.7	5.7	*	*	*	*	*
PVC 1" - 200 PSI		*	*	*	1.0	1.9	2.7	4.2	6.3	8.9	11.8
Copper 3/4"		*	*	*	4.3	6.3	*	*	*	*	*
Copper 1"		*	*	*	1.5	1.9	2.7	4.5	6.9	9.6	12.8
PE3408 (Polyethylene)											
DI											
1. SDR-11 3/4	0.860	0.31	1.03	2.07	3.41	5.03	*	*	*	*	*
2. SDR-11 1	1.077	0.11	0.36	0.71	1.18	1.73	2.38	3.92	*	*	*
3. SDR-11 1-1/4	1.358	*	0.12	0.24	0.39	0.58	0.79	1.31	1.93	2.65	3.47
4. SDR-11 1-1/2	1.554	*	*	0.13	0.21	0.31	0.42	0.69	1.02	1.40	1.83
5. SDR-11 2	1.943	*	*	*	0.07	0.11	0.15	0.24	0.35	0.48	0.63
6. SCH 40 3/4	0.824	0.38	1.26	2.54	4.18	6.16	8.46	*	*	*	*
7. SCH 40 1	1.049	0.12	0.40	0.81	1.33	1.96	2.69	4.45	*	*	*
8. SCH 40 1-1/4	1.380	*	0.11	0.22	0.36	0.54	0.74	1.21	1.79	2.46	3.21
9. SCH 40 1-1/2	1.610	*	*	0.11	0.18	0.26	0.35	0.58	0.86	1.18	1.55
10. SCH 40 2	2.067	*	*	*	*	0.08	0.11	0.18	0.26	0.36	0.47
PB2110 (Polybutylene)											
DI											
11. SDR-17, IPS 1-1/2	1.676	*	*	0.09	0.15	0.21	0.29	0.48	0.71	0.98	1.28
12. SDR-17, IPS 2	2.095	*	*	*	0.05	0.07	0.10	0.17	0.25	0.34	0.44
13. SDR-13.5, Cts 1	0.957	0.19	0.62	1.25	2.06	3.03	4.16	*	*	*	*
14. SDR-13.5, Cts 1-1/4	1.171	*	0.24	0.48	0.79	1.17	1.60	2.64	*	*	*
15. SDR-13.5, Cts 1-1/2	1.385	*	0.11	0.22	0.36	0.53	0.72	1.19	1.76	2.41	3.2
16. SDR-13.5, Cts 2	1.811	*	*	0.06	0.10	0.15	0.20	0.33	0.49	0.68	0.88

NOTES: 1. These head losses are for water at 40 degrees F temperature.  
 2. Count each elbow, tee, reducer, air scoop, flow meter, etc., as 3 feet of equivalent pipe length and add to actual measured pipe length for total length.  
 3. To adjust the total earth loop piping head loss for other antifreezes and water solutions at 25 degrees F, multiply pressure loss on line 6 for water by:  
 Propylene Glycol - 1.36, Calcium Chloride - 1.23, Methanol Alcohol - 1.25



# PRESSURE DROP CALCULATIONS TO SELECT CIRCULATION PUMP

Transfer fluid requirements for closed-loop, earth-coupled heat pump systems varies with fluid temperature and heat pump size. To determine the circulation pump size requirement, the system flow rate requirements (GPM for heat pump used) and total system pressure drop in feet of head loss. From these two pieces of information a circulation pump can be selected from the pump manufacturer's performance curves.

The fluid (water) flow rate and water coil pressure drop are found in the manufacturer's heat pump specifications or Table 2 for Bard water source heat pumps. The head loss for different pipe materials and sizes per 100 feet are found in Table 5 of this section and a quick pump selection table for flow rates that match Bard water source heat pumps are in Table 4 of this section.

Following are two examples of how to determine the head loss of earth loops. First example will be a series horizontal system and the second example will be a parallel vertical system.

### EXAMPLE 1:

- A. Series horizontal system.
- B. Bard WPV36B water source heat pump to be used.
- C. Heat pump water flow requirements is 5 GPM with a 4.6 foot head loss (see Table 3).
- D. Earth loop 1200 feet 1-1/2" SDR 17 polybutylene pipe.
- E. 20 feet 1 inch copper pipe connecting earth loop to water source heat pump.
- F. The circulation pumping system lay out to be similar to Figure 16.

### CIRCULATING PUMP WORKSHEET

- Find the Bard heat pump model used in Table 2. MODEL WPV36B
- Enter water coil head loss (Table 2): 4.6 ft. hd.
- Continue across Table 2 to find GPM flow required for this heat pump. 5 GPM
- Count each elbow, tee, reducer, air scoop, flowmeter, etc., as 3 feet of pipe equivalent. Add the equivalent feet of pipe to the actual feet of pipe used. The total length is used to determine the piping head loss below.

Pipe Type and Size	No. Elbows, Tees Devices, Etc *	x 3	Equiv. Ft. Of Pipe	Actual Pipe Used	Total Pipe Length
1" Copper	20	x 3	60	20	80
1-1/2" PB SDR17	None	x 3	None	1200	1200
		x 3			
		x 3			
		x 3			

\*If the pipe is bent at a 2 foot radius or larger, DO NOT figure the curve as an elbow.

- PIPING HEAD LOSS for different types of pipe at GPM flow rate of water source heat pump. NOTE: For parallel earth loop system, figure for only one loop.

Pipe Type and Size	Total Pipe Length	÷	100	Piping** Head Loss (Table 3)	=	ft. hd.
1" Copper	( 80 )	÷	100	1.9	=	1.52
1-1/2" PB SDR17	( 1200 )	÷	100	0.21	=	2.52
	( )	÷	100		=	ft. hd.
	( )	÷	100		=	ft. hd.
	( )	÷	100		=	ft. hd.

\*\*For a parallel earth loops, divide the heat pump GPM (line 3) by number of loops to determine flow rate through each individual loop to select piping head loss.

- Multiply SUBTOTAL by multiplier (see Table 5) to obtain TOTAL HEAD LOSS FOR SYSTEM using antifreeze solution.

SUBTOTAL	8.64	ft. hd.
TOTAL HEAD LOSS	11.75	ft. hd.

- PUMP SELECTION: Use Table 4 and flow rate, (line 3). Select the pump output which is larger or equal to the TOTAL HEAD LOSS FOR SYSTEM (line 5 or 6).

24 - 64	1
Circulating Pump Model	No. Pumps

If the TOTAL HEAD LOSS calculated in line 6 is greater than the pump outputs listed in Table 4, go to the pump manufacturer's performance curves and find the required GPM flow for the heat pump. Pump performances are listed for each pump model at different flow rates.

Series pump performance is simply a TOTAL OF THE INDIVIDUAL PUMP PERFORMANCES. If one pump can overcome 10 feet of head loss, two can overcome 20 feet of head loss, three can overcome 30 feet of head loss, etc.

\*\*\*\*\* REMEMBER: UNDER NO CIRCUMSTANCES MIX DIFFERENT PUMP SIZES WHEN USING PUMPS IN SERIES. \*\*\*\*\*

F1125-890

**EXAMPLE 2:**

Given:

- A. Vertical system.
- B. Bard WPV53A water source heat pump.
- C. Heat pump water flow requirements are 10 GPM with a 15 foot head loss (see Tables 2 and 3).
- D. Heat pump connected to circulation pump module and earth coil with 25 feet of 1 inch I.D. connection hose.
- E. Pressure drop through flow meter and connections to coil of water source heat pump 1 inch copper.
- F. Three loops (U-bends) with 373 feet pipe each.
- G. Loops are 3/4 inch SDR-11 polyethylene pipe.
- H. Flow rate through each loop will be 1/3 of total flow through total earth loop system because there are three loops and each one will have an equal share of the total flow rate.

10 GPM - 3 = 3.3 GPM per loop

- I. 240 feet of 1-1/2 inch SDR-11 polyethylene pipe headers.

**CIRCULATING PUMP WORKSHEET**

1. Find the Bard heat pump model used in Table 2. MODEL WPV53A
2. Enter water coil head loss (Table 2): 15 ft. hd.
3. Continue across Table 2 to find GPM flow required for this heat pump. 10 GPM
4. Count each elbow, tee, reducer, air scoop, flowmeter, etc., as 3 feet of pipe equivalent. Add the equivalent feet of pipe to the actual feet of pipe used. The total length is used to determine the piping head loss below.

Pipe Type and Size	No. Elbows, Tees, Devices, Etc. *	x 3	Eqv. Ft. Of Pipe	Actual Pipe Used	Total Pipe Length
1" Bore	NA	x 3	NA	25	25
1" Copper	14	x 3	42	10	52
PE SDR-11 3/4"	4	x 3	12	373	385
PE SDR-11 1-1/2"	8	x 3	24	240	264
		x 3			

\*If the pipe is bent at a 2 foot radius or larger, DO NOT figure the curve as an elbow.

5. PIPING HEAD LOSS for different types of pipe at GPM flow rate of water source heat pump. NOTE: For parallel earth loop system, figure for only one loop.

Pipe Type and Size	Total Pipe Length	Piping** Head Loss (Table 3)	
1" Bore	( 25 ÷ 100)	6.53	-
1" Copper	( 52 ÷ 100)	6.9	-
PE SDR-11 3/4"	( 385 ÷ 100)	2.07	-
PE SDR-11 1-1/2"	( 264 ÷ 100)	1.02	-
	( ÷ 100)		-

\*\*For a parallel earth loops, divide the heat pump GPM (line 3) by number of loops to determine flow rate through each individual loop to select piping head loss.

6. Multiply SUBTOTAL by multiplier (see Table 5) to obtain TOTAL HEAD LOSS FOR SYSTEM using antifreeze solution. SUBTOTAL 30.88 (t. hd.)

7. PUMP SELECTION: Use Table 4 and flow rate, (line 3). Select the pump output which is larger or equal to the TOTAL HEAD LOSS FOR SYSTEM (line 5 or 6). TOTAL HEAD LOSS 42.0 (t. hd.)

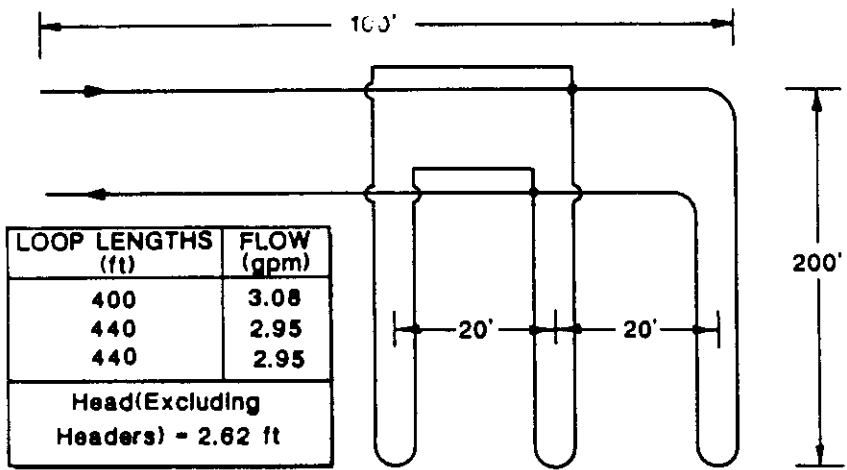
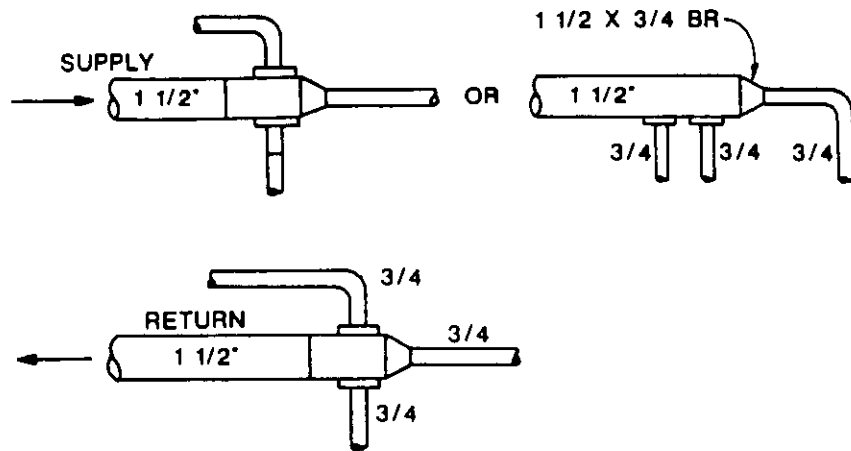
If the TOTAL HEAD LOSS calculated in line 6 is greater than the pump outputs listed in Table 4, go to the pump manufacturer's performance curves and find the required GPM flow for the heat pump. Pump performances are listed for each pump model at different flow rates.

Series pump performance is simply a TOTAL OF THE INDIVIDUAL PUMP PERFORMANCES. If one pump can overcome 10 feet of heat loss, two can overcome 20 feet of head loss, three can overcome 30 feet of head loss, etc.

\*\*\*\*\* REMEMBER: UNDER NO CIRCUMSTANCES MIX DIFFERENT PUMP SIZES WHEN USING PUMPS IN SERIES. \*\*\*\*\* E1125-890

FIGURE 27

CLOSE HEADER SYSTEM



LOOP LENGTHS (ft)	FLOW (gpm)
400	3.08
440	2.95
440	2.95

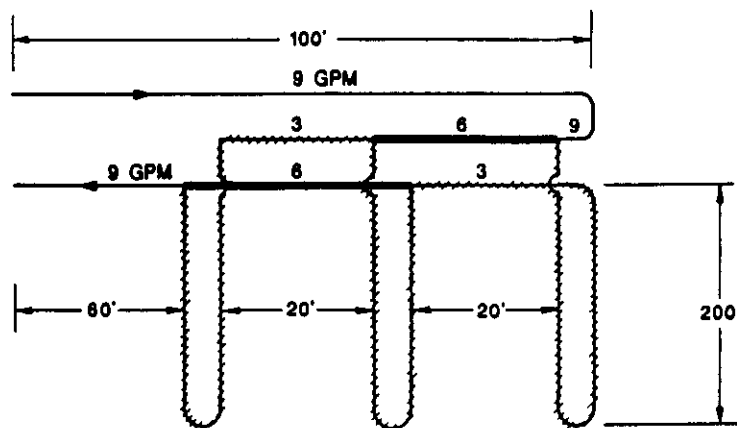
Head(Excluding Headers) = 2.62 ft

REVERSE RETURN NOT REQUIRED

NTS

FIGURE 28

SPACED HEADER WITH REVERSE RETURN



NTS

HEADERS: 1 1/2'  
LOOPS: 3/4'

----- 3 GPM  
————— 6 GPM  
————— 9 GPM

FIGURE 29  
LAYOUT AND DETAILS OF A TYPICAL CL/GS HEAT PUMP SYSTEM

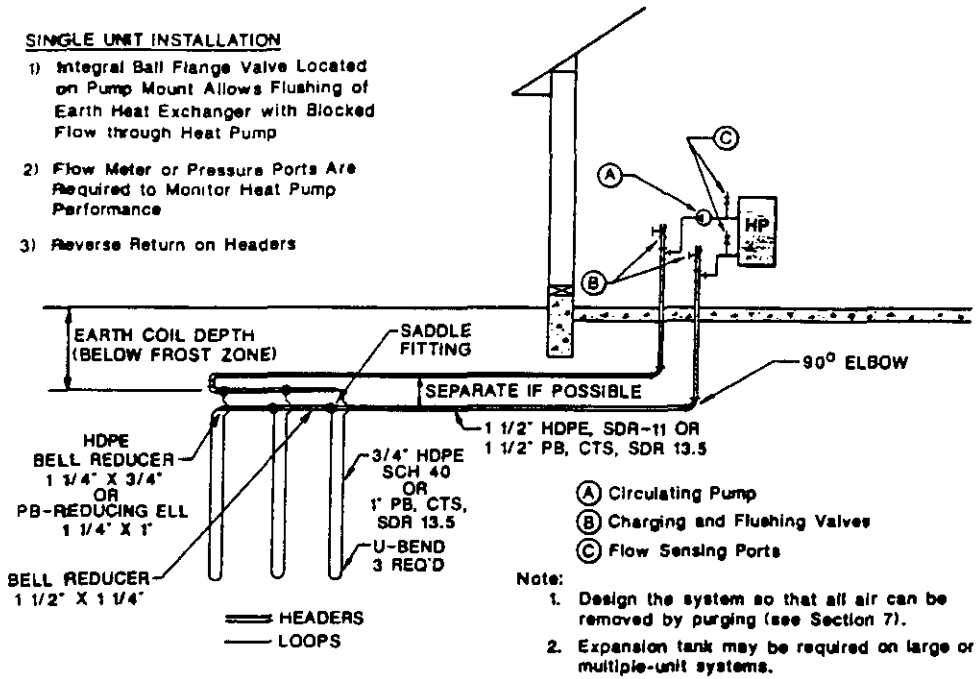


FIGURE 30  
PUMP MODULE AND HOOKUP

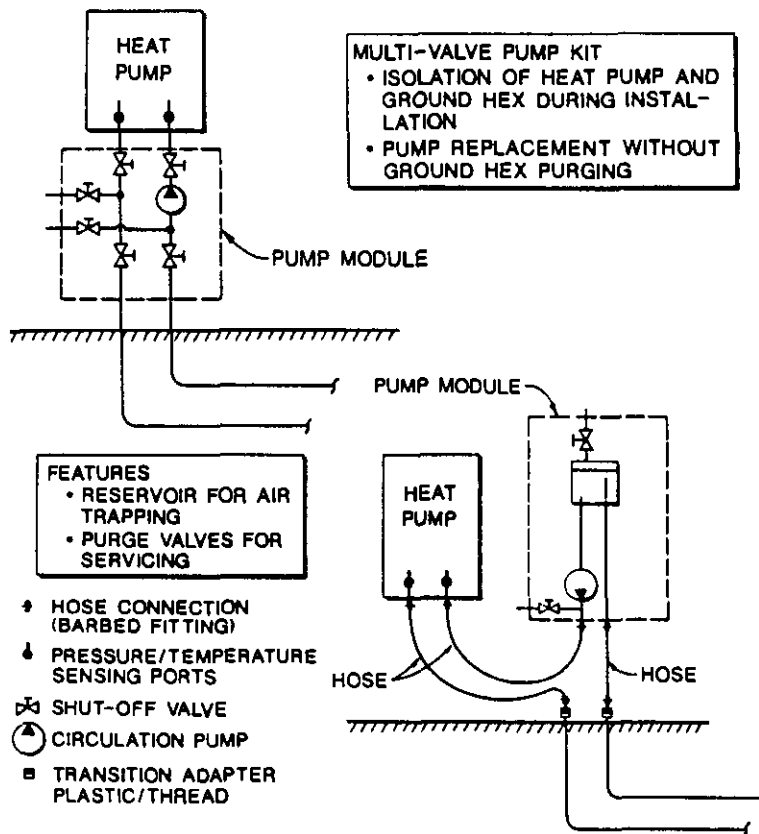


FIGURE 31  
MULTIPLE UNIT INSTALLATION

NOTE:

- 1) Note Location of Check Valves for Preventing Short Circuiting
- 2) Integral Ball Flange Valve Located on Pump Mount Allows Flushing of Earth Heat Exchanger with Blocked Flow-Through Heat Pump

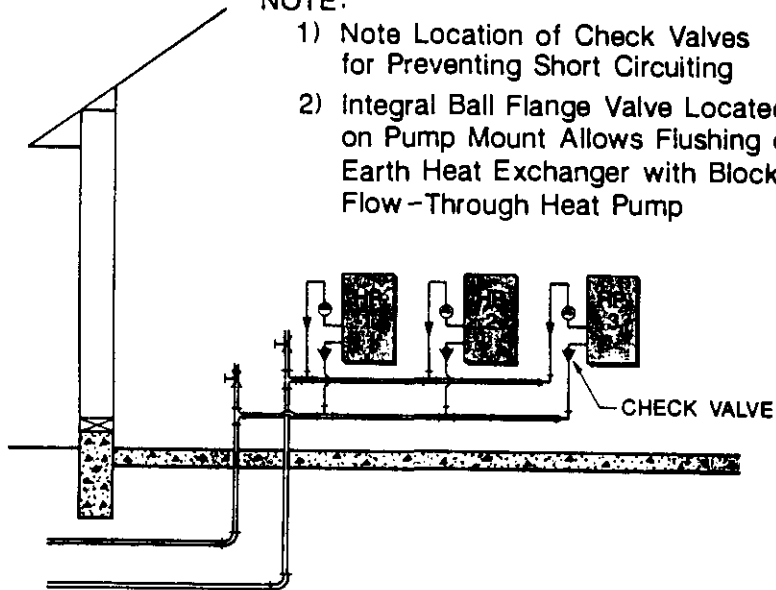
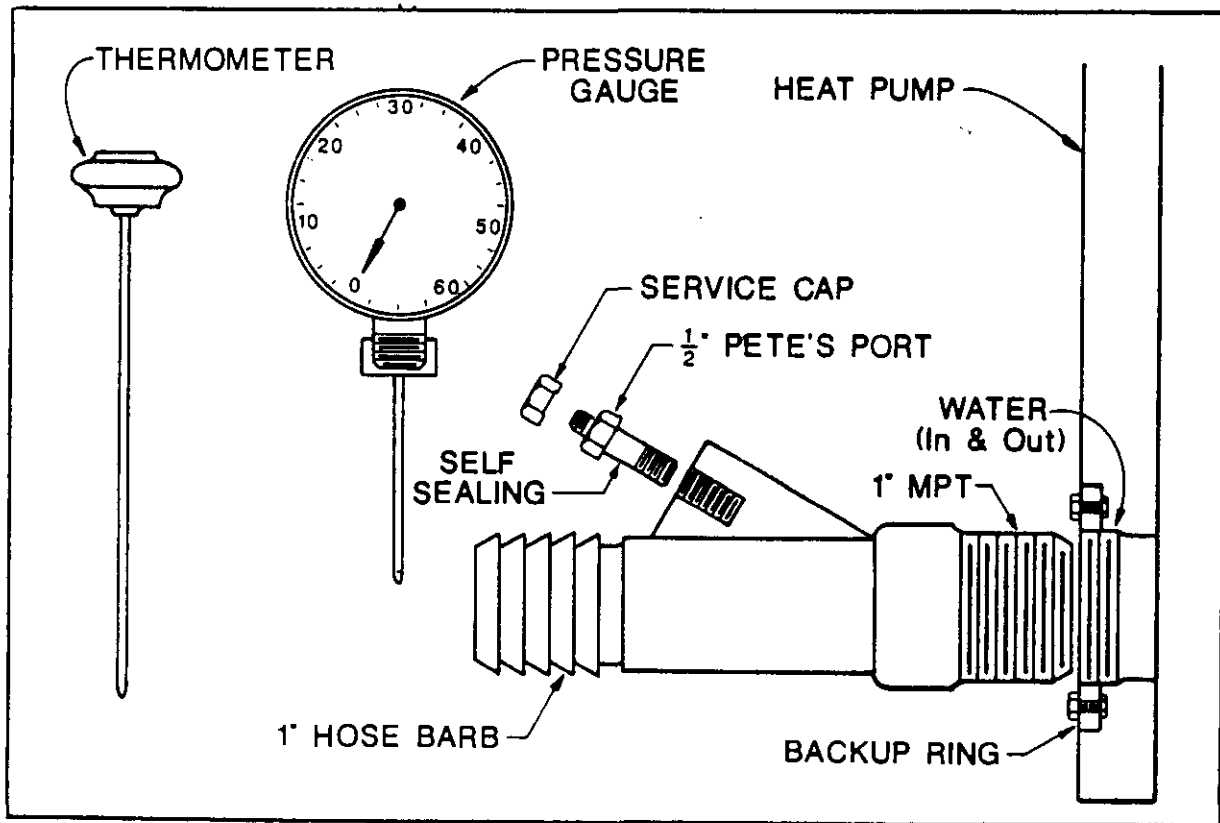


FIGURE 32  
PRESSURE AND TEMPERATURE SENSING ADAPTER AND COMPONENTS



Drawings courtesy of Oklahoma State University.

## VII. FREEZE PROTECTION

**ANTIFREEZE SOLUTIONS**--Except in the very most southern climates, an antifreeze solution will be required to prevent freezing in the heat pump heat exchanger. The choices are as follows:

1. Salts--Calcium Chloride and Sodium Chloride
2. Glycols--Ethylene and Propylene
3. Alcohols--Methyl, Isopropyl, and Ethyl

The selection of an earth coil circulation fluid is based upon the following:

1. Safety (toxicity and flammability)
2. Freezing point
3. Heat transfer characteristics (primarily thermal conductivity and viscosity)
4. Frictional pressure drop and pumping requirements (primarily viscosity)
5. Cost (initial charge, makeup and inhibitor costs)
6. Corrosiveness
7. Physical and chemical compatibility with all system components
8. Availability of product in local market area
9. Ease of transporting and storing
10. Long life

The earth coil circulation fluid freezing point is particularly important and determines the solute concentration in the circulation fluid that is required for freeze protection of the evaporator of the heat pump. The coldest expected evaporator exit temperature of the earth coil circulation fluid during heating operation determines the required freezing point of the circulation fluid. The refrigerant temperature in the evaporator runs approximately 10 degrees F lower than the exit water temperature, therefore, it is necessary to provide freeze protection for the minimum operating evaporator refrigerant temperature.

Generally speaking, the salts are safe, non toxic, have good heat transfer characteristics, are low cost, have long life but are corrosive in the presence of air and most metals. The major drawback of the salts in their corrosive nature and their cleanup problems when spilled. One very strong point is that they are considered non toxic and environmentally safe. With proper metal component selection and air purging of the system, they can and have been used successfully. In northern climates where heat pump loop operating temperatures go as low as 30 degrees F, calcium chloride and methanol has been used.

Glycols are safe, are considered toxic, are generally non corrosive, have fair heat transfer characteristic, are medium cost and with a finite life. For low temperature operation, the glycols can become viscous requiring greater pumping power and, therefore, reduce the heat pump system efficiency.

Improperly handled, alcohols are not safe (burn and explode when mixed with air), are toxic, are relatively non corrosive, with fair heat transfer characteristics, are medium cost, and have long life. Their major drawbacks are their explosive and toxic behavior. Diluting the alcohol solution before taking them on site reduces the explosive risk somewhat. Alcohols are non corrosive which makes their use very popular. Their application has been in both the northern and southern climates.

**CAUTION:** Many anti corrosion inhibitors are toxic and care must be taken to prevent a non toxic antifreeze solution from becoming toxic after the solution is inhibited.

**METAL COMPONENTS**--The metal components in the system must be compatible with the cl/gc circulating fluid. The components that must be carefully selected are:

1. Circulation pump and pump flanges
2. All metal piping
3. Sensing ports

4. Any metal components in contact with the circulating fluid

Depending on the antifreeze selected, the metals chosen for the system must be carefully selected. The dealer's recommendation must be carefully followed.

Antifreeze solution used in earth loop systems must be non toxic and non corrosive. Non toxic in case there is a leak in the loop system so the ground water will not be contaminated and non corrosive to protect the metal components used in the circulation pumps and other system components.

To determine the amount of antifreeze to be added to the water in the earth loop, calculate the approximate volume of water in the system by using the following table which gives the gallons of water per 100 feet of pipe.

TABLE 6

Pipe Material	Nominal Pipe Size	Gallons Per 100' of Pipe
Polyethylene		
SDR-11	3/4	3.02
SDR-11	1	4.73
SDR-11	1-1/4	7.52
SDR-11	1-1/2	9.85
SDR-11	2	15.40
SCH 40	3/4	2.77
SCH 40	1	4.49
SCH 40	1-1/4	7.77
SCH 40	1-1/2	10.58
SCH 40	2	17.43
Polybutylene		
SDR-17 IPS	1-1/2	11.46
SDR-17 IPS	2	17.91
SDR-13.5 CTS	1	3.74
SDR-13.5 CTS	1-1/4	5.59
SDR-13.5 CTS	1-1/2	7.83
SDR-13.5 CTS	2	13.38
Copper	1	4.3

Add two gallons for equipment room devices and heat pump.

### PROPYLENE GLYCOL

Propylene glycol solution is lower in toxicity, can offer low corrosivity, low volatility, and low flammability hazard. However, propylene glycol is more costly and yields more viscous solutions. Propylene glycol solutions may be considered for use down to about 15 degrees F. Use of propylene glycol solutions below 15 degrees F offers excess viscosity which, in turn, yields excessively high frictional pressure drops and excessively low heat transfer coefficients.

The 15 degrees F temperature is definitely the maximum lower limit for closed loop systems. A more reasonable lower limit threshold would be a maximum 25 percent mixture by volume and operating above 30 degrees F. Lower operating temperatures and/or higher concentrations of propylene glycol are not economical when you consider the energy required to pump the fluid and maintain turbulent flow under those conditions.

In order to obtain good heat transfer within the buried pipe system, the calculated Reynolds number should not fall below 2500 for the coldest exit fluid temperature from the heat pump.

The quality of the water used to prepare glycol solutions is important. The water should be "soft" and have a low concentration of chloride and sulfate ions. Glycol inhibitor is commonly added by the manufacturer. Glycol solutions normally have a pH of 8.8 to 9.2. Glycol solutions having pH that falls below 7.5 should be replaced. Addition of inhibitor cannot restore the solution. Indiscriminate mixing of differently inhibited solutions should be avoided unless the solutions are known to be compatible.

Never use chromite treatment because it will result in rapid buildup of sludge. Glycol solutions, even though inhibited, do not have an indefinite service life and should be checked yearly. Spent glycol solution should be removed from the system and replaced with fresh glycol solution.

Where the ground water at 100 foot depth is less than or equal to 60 degrees F, a 20 percent by volume solution of propylene glycol is required. The percentage of antifreeze depends on geographical location. A 20 percent by volume solution of propylene glycol is required for 18 degrees F freeze protection.

Example: For 100 gallons of water in system, 20 gallons of propylene glycol is required.

Two short pieces of hose, a bucket and a small submersible pump are needed to add the antifreeze.

Block the system by closing a ball valve. Blocking flow prevents the antifreeze from being pumped into one boiler drain and out the other.

Attach hoses to the boiler drains. Run the uppermost hose to drain. Connect the other hose to the submersible pump in the bucket. Put full strength propylene glycol into the bucket and pump in the amount needed to give the required percentage by volume. When the required amount has been pumped in, turn off the pump, close the boiler drains, and disconnect the hoses and open the isolation flange or gate valve.

## CALCIUM CHLORIDE

Calcium chloride brines are the second lowest cost brines, next to sodium chloride brines. Calcium chloride brines have been used to as low as -30 degrees F; however, thermal and flow characteristics deteriorate rapidly below -5 degrees F.

Calcium chloride is marketed in flake, solid, and solution forms. The flake form is used most extensively and is available as Type 1 which is 77 minimum weight calcium chloride and Type 2 which is 94 minimum weight percent calcium chloride.

Both of the salt brines previously discussed can cause considerable corrosion problems. Regular monitoring and maintenance are necessary. Seclusion of the brines from oxygen and carbon dioxide helps prevent corrosion; however, closed system such as the earth coil still tend to have corrosion. Strangely enough, diluted solutions tend to be more corrosive than concentrated solutions. Corrosion is best controlled by minimizing contact with air and maintaining pH between 7.5 and 8.0. Acidic, neutral, or strongly alkaline brines tend to be most corrosive.

Sodium dichromate inhibitor is generally considered to be the most economical and most effective means of combating corrosion with salt brines. Sodium dichromate comes as orange crystals that are readily dissolved in warm water. Sodium dichromate dissolves very slowly in cold water and should never be put into a brine tank in crystal form. Dissolve dichromate crystals in warm water and add resulting solution to the brine.

If you elect to use the salt brine solutions, the following points have been observed in systems that have successfully operated in this environment for long periods of time with little or no difficulty.

During system startup, all air must be purged or removed. Fluid velocities greater than 2 feet per second must be achieved during the charging, purging and startup operation in order to accomplish this objective.



Air traps at the end of headers and manifolds must be eliminated.

Metal components with high zinc contact must be eliminated. This includes circulation pumps, fittings and valves. This can partially be accomplished in the design process by reducing the number of metal components in the system.

Alloys that are high in zinc content should be avoided and substituted with 300 and 400 series stainless steel, copper-nickel or other more noble (cathodic) materials.

Copper-nickel heat exchangers are more likely to survive the salt brine environment than standard copper heat exchangers.

The materials are listed in order of most desirable to least desirable from a corrosion resistance standpoint:

- |                               |                           |
|-------------------------------|---------------------------|
| 1. 300 series stainless steel | 6. Brasses                |
| 2. 400 series stainless steel | 7. Active stainless steel |
| 3. Copper nickel alloys       | 8. Cast iron              |
| 4. Bronzes                    | 9. Steel                  |
| 5. Copper                     | 10. Aluminum              |

A 20 percent by weight solution calcium chloride and water may also be used as an antifreeze in the earth coupled system. It is also non toxic, a better heat conductor and less expensive than propylene glycol. However, it is very corrosive. Multiply the gallons of water in the earth loop system by 1.4841 to find the pounds of 94 - 97 percent pure calcium chloride required for 18 degrees F freeze protection.

### METHYL ALCOHOL (METHANOL)

Methyl alcohol, sometimes referred to as methanol, wood alcohol and carbinol has been widely used as an antifreeze. Methanol water offers low cost, low corrosivity, low viscosity, and good thermal conductivity. Methanol water offers relatively low frictional pressure drops and relatively high heat transfer coefficients. Methanol, however, offers the disadvantages of high volatility, high flammability, and high toxicity. Pure methanol has a flash point of 54 degrees F to 60 degrees F, while a 30 percent methanol in water solution has a flash point of 75 degrees F. These flash points are poor. A 19.41 percent by volume solution will have a freezing point of 15 degrees F.

## VIII. SYSTEM START UP

Once the ground water source heat pump system is completely installed, the final step is to start the system and check for proper operation. The proper sequence on startup is to begin with the water side of the system, then proceed to the air side.

**FLUSH THE SYSTEM PIPING--DO NOT** connect the water lines from the earth coupled loop to the unit before the water lines have been flushed. Flushing will remove any debris and air that may be trapped in the piping. If water is circulated through the unit without first flushing the water loop piping, the heat pump unit may be damaged. Therefore, follow this procedure carefully before connecting to the unit.

When an earth coupled system, connect the piping to flushing rig (Figure 33) that can be easily constructed from a 55 gallon drum, 1 hp water pump, and some relatively inexpensive piping. Fill the earth coupling as much as possible then hook one side of the earth coupling to the pump and return the other side of the earth coupling to the top of the barrel. Fill the barrel and turn on the pump. The barrel must be kept at least half full of water to avoid sucking air into the system.

When the proper flushing connections have been made, check to be sure all accessible fittings are secure and tight and any valves in the line are open. Start the pump and let the water circulate for at least 20 - 30 minutes. This will allow enough time for any entrained air or debris to be purged from the system. With an earth coupled system, check for possible leaks in the loop by establishing 50 PSIG water pressure in the line and checking the gauge after 15 minutes. If there are no leaks in the line, the pressure will not drop. If the pressure in the line falls by more than 5 PSIG, it may be necessary to dig holes at the coupling locations to check for loose or failed couplings. With all ground water systems, check carefully for any visible signs of water leakage before digging or boring down to any coupling locations. If visible leakage is found, correct the problem and retest the system. If no visible signs of leakage exist and the piping system is losing more than 5 PSIG in 15 minutes, then proceed to locate the source of the leakage. Remember, for proper system operation, there can be no leakage in the water loop.

FLOW RATE (GPM) REQUIRED FOR DEBRIS  
FLUSHING AND AIR PURGING TO GIVE AN  
TABLE 7 AVERAGE VELOCITY OF 2 FPS IN PIPE

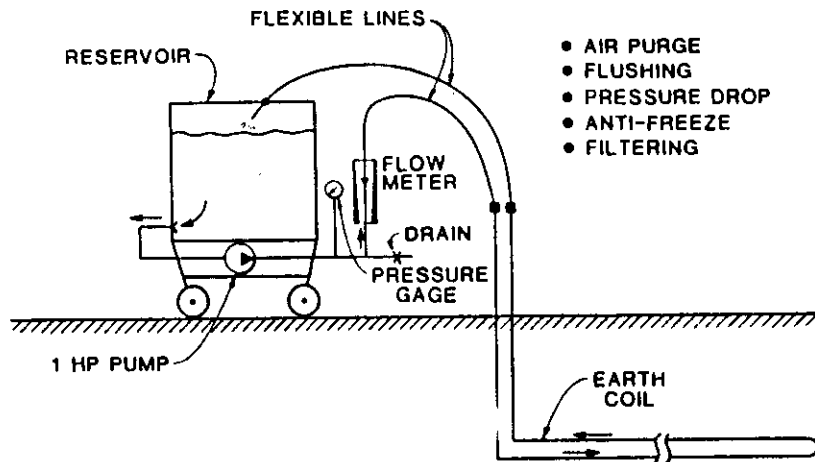
Nominal Pipe Size (Inches)	Pipe ID (Inches)	Flow Rate (GPM)
Polyethylene, SCH40		
1 3/4	0.860	4.3
2 1	1.077	5.7
3 1-1/4	1.358	9.0
4 1-1/2	1.554	11.8
5 2	1.943	18.4
Polyethylene, SDR-11		
6 3/4	0.824	3.3
7 1	1.049	5.4
8 1-1/4	1.380	9.3
9 1-1/2	1.610	12.7
10 2	2.067	20.9
Polybutylene, SDR-17, IPS		
11 1-1/2	1.676	13.8
12 2	2.095	21.5
Polybutylene, SDR-13.5, CTS		
13 1	0.957	4.5
14 1-1/4	1.171	6.7
15 1-1/2	1.385	9.4
16 2	1.811	16.1

**BOILER DRAINS**--Boiler drains are located on both sides of the circulator for final filling, air purging and antifreeze addition.

The top drain should be the highest point in the equipment room piping. This will help purge air out of the system during final filling at start up.

**FLOW RATE ADJUSTMENT**--When the earth loop has been completely flushed and leak tested, remove the flexible connection from the pipe ends and hook up the supply and return lines to the appropriate connections on the water source heat pump, turn on the circulator pump, and let the water circulate through the system for 5 minutes. DO NOT allow the heat pump to operate yet. The proper sequence is to allow water to circulate, adjust the flow rate, then operate the heat pump.

FIGURE 33  
 PORTABLE RIG FOR FLUSHING EARTH COUPLED SYSTEMS  
 EARTH COIL START-UP



If the circulator does not operate immediately, turn off the electrical power to the heat pump, close the isolation flanges, remove the indicator plug, insert a small blade screwdriver into the motor shaft, and turn gently until the shaft moves freely. Replace the indicator plug, open the isolation flanges, wait a few minutes, then restart the pump.

The flow rate should be the desired operating flow of the model of water source heat pump being used (see manufacturer's specifications). Water flow should not be less than that of the minimum flow rate required for the model of water source being used. If water flow is less than system calculations indicate, check your calculations. If the calculations are correct, there is some trapped air or restriction in the water circuit.

### PROPER PLANNING YIELDS PROBLEM-FREE GROUND-SOURCE HEAT PUMP SYSTEM

This article was first published in *THE SOURCE*, a newsletter from the Oklahoma State University International Ground Source Heat Pump Association.

When the topic of ground-source system troubleshooting is broached, certain problems seem more common than others. One situation is a system which has not been thoroughly purged of air. Another typical scenario is a vertical system with too many bore holes.

Failure to purge a system of air can lead to various problems. Air in a system can corrode the metallic components in the circulating system, causing their eventual failure. Under certain circumstances, excessive air in the system may block water flow in some branches of a parallel ground heat exchanger.

For example, air trapped at the top of one of several vertical ground heat exchanger loops may cause an air column that will prevent flow through the loop. This, in turn, results in inadequate heat transfer in the ground heat exchanger system.

If a fluid velocity of 2 ft/sec is maintained for 20 to 30 minutes, the air will be removed in all cases (See Table 7). Header designs have been created for easy air purging and debris removal.

### Check Bore Holes

Too many bore holes can also cause complications because the water or antifreeze solution is not flowing properly through the loops, resulting in insufficient turbulence for heat transfer. One symptom of this particular problem is cold-loop water in the winter, which results in reduced heating capacity. There may be no evidence, however, of this problem during summer, when the water in the ground heat exchanger is warm.

The formula for calculating the maximum number of bore holes is the heat pump manufacturer's recommended flow rate divided by the minimum required flow in the pipe for turbulence.

$$\frac{\text{Manufacturer's recommended flow rate}}{\text{Minimum flow in pipe for turbulence}} = \text{Maximum number of bore holes}$$

For example, assume the heat pump manufacturer's recommended flow rate was 18 gpm and the minimum flow for the selected pipe and fluid for turbulence was 3.5 gpm, then:

$$\frac{18 \text{ GPM}}{3.5 \text{ BPM/loop}} = 5.14$$

When the division yields an uneven number, always round down. Rounding down 5.14 gives 5, the maximum number of bore holes the system can have and maintain adequate fluid turbulence for good heat transfer. By properly calculating the maximum number of bore holes in this way, future system problems can be alleviated.

Too much antifreeze can also cause poor heat transfer in the ground heat exchanger. The minimum flow rate is different for each type of fluid. Determine if the minimum flow rate exists in all fluid paths for the specific fluid chosen (See Table 3). If not, select a new piping arrangement that gives higher flow in all paths.

When such problems occur, make sure all air is purged from the system. Also check the antifreeze levels. Finally, an additional circulating pump may be necessary to ensure the minimum flow rate exists in all loops. (4)

(4) Air Conditioning, Heating & Refrigeration News. October 1, 1990.

RULE OF THUMB	RULE OF THUMB	
<p>When using 20 percent propylene glycol antifreeze solution, the minimum water flow rate for the selected heat pump will need to be increased 40 percent to have the same heat transfer.</p>	<p>To adjust the total earth loop piping head loss for other antifreezes and water solutions at 25 deg. F, multiply pressure loss on line 6 for water by:</p>	
<p>Example: A 4 GPM flow would need to be increased to 5.6 GPM for approximately the same heat transfer properties.</p>	<p>Fluid</p>	<p>Multiplier</p>
	<p>20 percent Propylene Glycol</p>	<p>1.36</p>
	<p>20 percent Calcium Chloride</p>	<p>1.23</p>
	<p>20 percent Methanol Alcohol</p>	<p>1.25</p>

## IX. OTHER ITEMS TO BE FOLLOWED

- A. Follow the Installation Instructions for the water source heat pump model being used to check the operation of the refrigeration cycle and specifics in installation in structure. The equipment manual will also show the electrical hookup and air flow requirements.
- B. Follow the Air Conditioning Contractors of America "Manual D" for proper duct design for the air side of the system.

## ACKNOWLEDGMENTS

1. Albertson, P. 1983, Pamphlet "Earth-Coupled Water Source Heat Pump", Ditch Witch, Perry, OK.
2. Bose, James E. et al. 1984, "Closed-Loop Ground-Coupled Heat Pump Design Manual", Oklahoma State University, Stillwater, OK
3. Braud, H.J. Klinkowski, H. and Oliver J. 1983, "Earth-Source Heat Exchanger for Heat Pumps", Louisiana State University, Baton Rouge, LA.
4. Braud, H.J., Baker, F.E. and Snilie, J.L. 1984, "Earth-Coupled Heat Pump Systems", Louisiana Cooperative Extension Service, Baton Rouge, LA.
5. Bitelman, L. 1983, Letter "Pipe Pressure Loss Tables for Polyethylene Pipe", McElroy Manufacturing, Inc., Tulsa, OK.
6. Hatherton, D.L. 1983 "Trenched and Drilled Earth-Coupled Heat Pump Systems", Ground Water Energy Newsletter, (Sept; Oct. 1983), Worthington, Ohio.
7. Hawkinson, G. 1984, Letter "Pipe Head Loss Tables for Polybutylene Pipe", Vanguard Plastics, Inc. McPherson, KA.
8. Partin, James R. 1981, "Drilled and Trenched Earth-Coupled Heat Pump Exchangers", Stillwater, OK.
9. Bose, J.E., 1985, "Design/Data Manual For Closed Loop Ground-Coupled Heat Pump Systems", American Society of Heating, Refrigerating and Air Condition Engineerings, Inc., Atlanta, GA.
10. NRBCA, 1987, Closed Loop/Ground Coupled Heat Pump Systems Installation Guide, National Rural Electric Cooperative Association, Washington, D.C. 20036

## SERVICE LINES

Bury the service lines a minimum of 4 feet deep or below the frost line, whichever is deeper, across the shore and keep them separated about 2 feet in the trench.

Follow the "Horizontal Earth Coil Installation" instructions for the service lines to the lake exchanger.

## ANTIFREEZE

The equivalent of 25 percent propylene glycol is required.

FIGURE 34  
CLOSED LOOP LAKE EXCHANGER

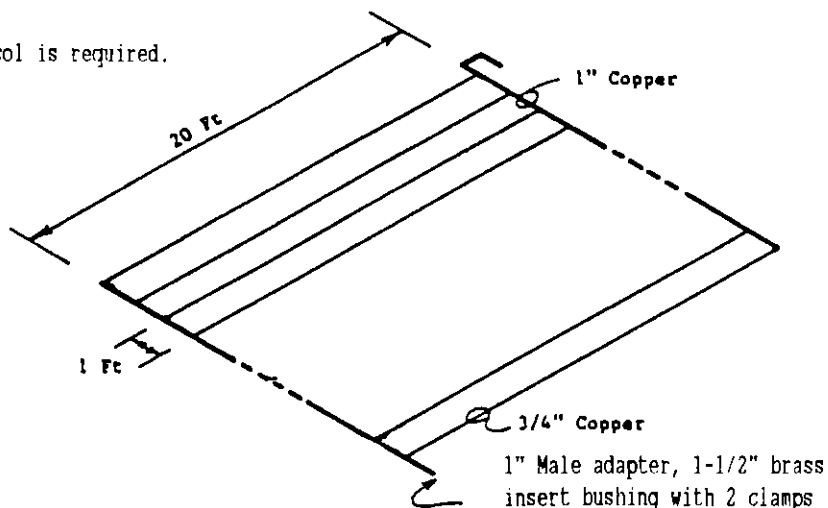


TABLE 8

Heat Exchanger Size, Tons	No. Of Legs 20 Ft. Long	Header Length In Feet	Flow GPM	Exchanger Head Loss In Feet	Service Line Head Loss, Feet/100 Feet
1	3	4	3	0.20	0.11
2	6	7	6	0.55	0.24
3	9	10	9	1.4	0.72
4	12	13	12	2.8	1.23
5	15	16	15	5.0	1.90

FIGURE 35

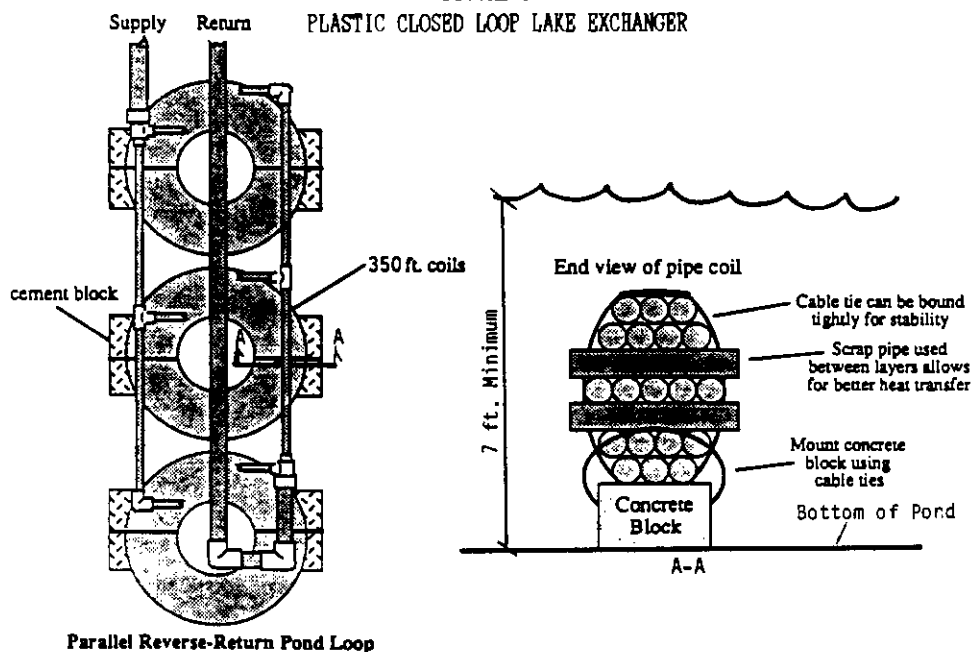


Figure A-A shows a new idea for increasing flow through the coils simply using pieces of pipe between the layers. This drawing is a cut-away view, looking at a dissected coil. Note that the cable tie can now be tightened to make the coils more manageable, while the scrap pipe still allows flow through the coil.

# EARTH COUPLED LOOP DESIGN

1) Return Design To: \_\_\_\_\_ Date: \_\_\_\_\_  
 Street: \_\_\_\_\_ Attn: \_\_\_\_\_  
 City and State: \_\_\_\_\_ Zip: \_\_\_\_\_  
 Dealer/Job Name: \_\_\_\_\_ Location: \_\_\_\_\_  
City State

2) Geographic Location of Job (NEAREST): \_\_\_\_\_  
 SEE TABLE 10 ON BACK OF SHEET City State

3) Building or \*Zone Design: COOLING LOAD: \_\_\_\_\_ btu/h  
 HEATING LOAD: \_\_\_\_\_ btu/h

**\*NOTE:** Buildings too large for one heat pump, complete worksheet for each zone.

4) Size Heat Pump to satisfy: \_\_\_\_\_ Cooling Load \_\_\_\_\_ Heating Load\*\*

**\*\*NOTE:** Recommend sizing for the greater of 60 to 90% of heating load or cooling load.

5) Local Ground Well Water Temperature: \_\_\_\_\_ degrees F

6) Model of Bard Water Source Heat Pump to be used: \_\_\_\_\_

7) Provide COST OF OPERATION ESTIMATES: \_\_\_\_\_ No \_\_\_\_\_ Yes  
 If Yes, please provide local cost per kilowatt \$ \_\_\_\_\_ KW

8) Loop Configuration:  
 \_\_\_\_\_ SERIES: typically 1-1/4" to 2" pipe used.  
 \_\_\_\_\_ PARALLEL: typically 3/4" to 1" pipe used. # of loops \_\_\_\_\_  
 \_\_\_\_\_ HORIZONTAL: depth to bottom pipe \_\_\_\_\_ ft.  
 \_\_\_\_\_ VERTICAL: **MAXIMUM** depth of bore \_\_\_\_\_ ft.

9) Anti-Freeze Solution: \_\_\_\_\_ NONE \_\_\_\_\_ CALCIUM CHLORIDE  
 \_\_\_\_\_ PROPYLENE GLYCOL \_\_\_\_\_ METHANOL

10) Type of Pipe to be Used: # \_\_\_\_\_ Nominal Size: \_\_\_\_\_  
 If system requires larger or smaller pipe, 2nd choice: # \_\_\_\_\_  
**SEE TABLE 9 ON BACK OF SHEET**

11) Horizontal System Configuration in Trench: **See Back Of Sheet**  
 \_\_\_\_\_ One pipe \_\_\_\_\_ 2 pipes: stacked \_\_\_\_\_ 2 pipes: side/by/side  
 \_\_\_\_\_ Other \_\_\_\_\_ 4 pipes: stacked \_\_\_\_\_ 4 pipes: stacked pairs

12) Type of Soil: Conditions in **summer**  
**Horizontal Systems:**  
 \_\_\_\_\_ Dry-Light Soil (Sand or Gravel) -- (grass and weeds turn brown in summer)  
 \_\_\_\_\_ Damp-Light Soil (Sand or Gravel)-- (grass turns brown, weeds stay green)  
 \_\_\_\_\_ Dry-Heavy Soil (Clay) -- (grass turns brown, weeds stay green)  
 \_\_\_\_\_ Damp-Heavy Soil (Clay) -- (grass and weeds stay green all summer)  
 \_\_\_\_\_ Wet Soil (Saturated, swamp or marsh) -- (swamp, marsh bottoms, etc.)

**Vertical Systems:**  
 \_\_\_\_\_ Damp Soil (Clay)  
 \_\_\_\_\_ Wet Soil (Avg Rock)

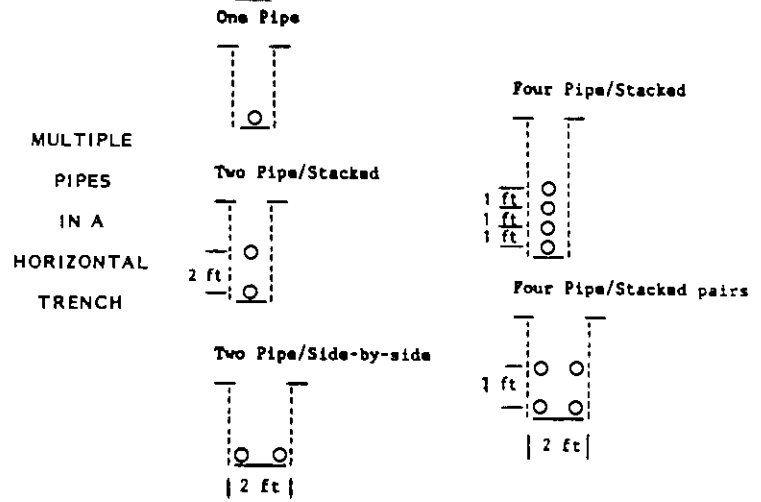


Send or FAX to: Earth Coupled Loop System Design  
 Bard Manufacturing Company  
 P. O. Box 607  
 Bryan, Ohio 43506  
 FAX# 419-636-2640

TABLE 9

Pipe Material Description		Nominal Size
PE	1 SDR-11	3/4
	2 SDR-11	1
	3 SDR-11	1-1/4
	4 SDR-11	1-1/2
	5 SDR-11	2
	6 SCH 40	3/4
	7 SCH 40	1
	8 SCH 40	1-1/4
	9 SCH 40	1-1/2
	10 SCH 40	2
PB	11 SDR-17, IPS	1-1/2
	12 SDR-17, IPS	2
	13 SDR-13.5, Cts	1
	14 SDR-13.5, Cts	1-1/4
	15 SDR-13.5, Cts	1-1/2
	16 SDR-13.5, Cts	2

RECOMMENDED EARTHLOOP PIPES



NOTE: PE are polyethylene pipes  
PB are polybutylene pipes

TABLE 10  
GEOGRAPHICAL LOCATIONS OF INPUT DATA

(WT = Well Temperature)

State	City	WT	State	City	WT	State	City	WT
AL	Birmingham	65	KS	Dodge City	57	NV	Ely	47
	Montgomery	67		Topeka	56		Las Vegas	69
							Winnemucca	52
AZ	Phoenix	73	KY	Louisville	60	NJ	Trenton	55
	Tucson	70						
			LA	Lake Charles	70	SD	Huron	47
AR	Little Rock	64		New Orleans	70		Rapid City	50
				Shreveport	66	NM	Albuquerque	59
CA	Los Angeles	64					Roswell	63
	Merced	68	ME	Portland	48	NY	Albany	50
	San Diego	64					Binghamton	48
			MA	Plymouth	51		Niagara Falls	50
CO	Colorado Springs	51					Syracuse	50
	Denver	52	MI	Battle Creek	50	NC	New Bern	65
	Grand Junction	55		Detroit	50		Greensboro	60
				Sau St. Marie	42	ND	Bismarck	44
DC	Washington	57					Grand Forks	42
			MN	Duluth	41		Williston	45
FL	Appalachicola	70		Int. Falls	39	OH	Akron	52
	Jacksonville	71		Minneapolis	47		Columbus	55
			MS	Biloxi	70		Dayton	56
GA	Atlanta	62		Columbus	65		Toledo	51
	Augusta	65		Jackson	67	OK	Altus	65
	Macon	67	MO	Columbia	57		Oklahoma City	62
				Kansas City	58		Tulsa	62
ID	Boise	53		Springfield	58	OR	Astoria	53
	Idaho Falls	46					Medford	55
			MT	Billings	49		Portland	54
IL	Chicago	51		Great Falls	48	PA	Middletown	55
	East St. Louis	57		Missoula	46		Philadelphia	55
	Urbana	53					Pittsburg	52
			NE	Grand Island	52		Wilkes-Barre	52
IN	Fort Wayne	53		Lincoln	53			
	Indianapolis	55		North Platte	51	WV	Charleston	58
	South Bend	52					Elkins	52
						WI	Green Bay	46
IA	Des Moines	52					Madison	49
	Sioux	51				WY	Casper	49
							Cheyenne	48
							Lander	46
							Sheridan	48