

INSTALLATION INSTRUCTIONS

MODELS

EH3RA-A05
EH3RA-A10
EH3RA-A15
EH3RA-A20

EH3RA-B06
EH3RA-B09
EH3RA-B12
EH3RA-B15
EH3RA-B18

EH3RA-C06
EH3RA-C09
EH3RA-C12
EH3RA-C15
EH3RA-C18

OPTIONAL ELECTRIC HEAT PACKAGES

FOR USE WITH MODELS
RPMA30A, RPMA36A
RPMH30B, RPMH36B

MANUAL 2100-112 REV. C
SUPERSEDES REV. B
FILE VOL. II, TAB 12

**COPYRIGHT AUGUST, 1989
BARD MANUFACTURING COMPANY
BRYAN, OHIO**

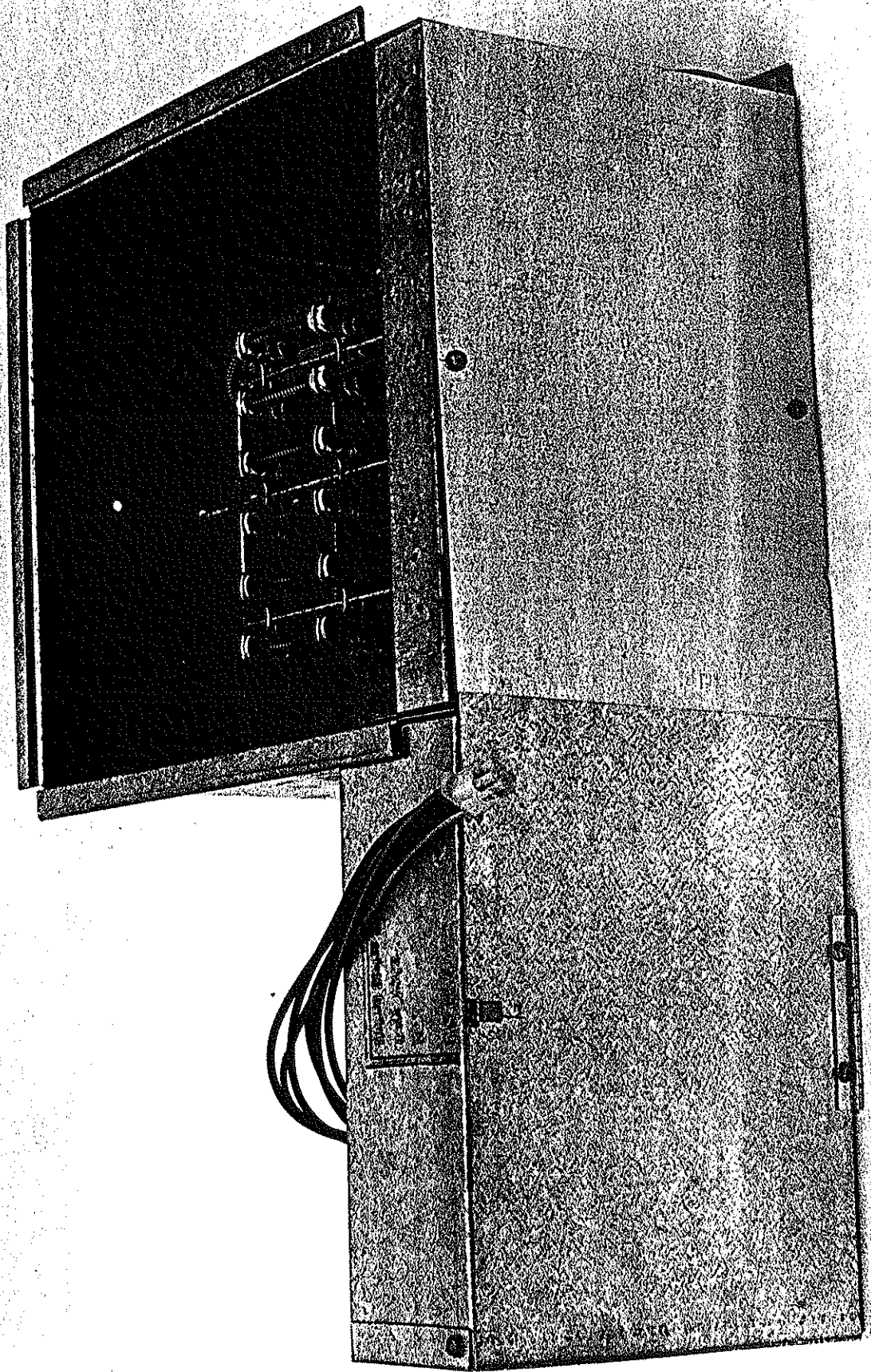


Figure 1.

IMPORTANT

The equipment covered in this manual is to be installed by trained, experienced service and installation technicians.

SHIPPING DAMAGE

Upon receipt of equipment, the carton should be checked for external signs of shipping damage. If damage is found, the receiving party must contact the last carrier immediately, preferably in writing, requesting inspection by the carrier's agent.

UNPACKING THE HEAT PACKAGE

Remove the heat package from the shipping carton. The heat package must consist of the following: (See Figure 1)

1. Basic heater enclosure with controls and installation instructions.
2. Plastic bag containing (2) #10-16 x 1/2" screws.

INSTALLATION

Disconnect all power supplies to the air conditioner or heat pump. Remove the blower service door located to the right of the unit control panel. Remove the two screws used to secure the blower housing to the slide mount (Figure 2). Remove the blower assembly from the slide mount taking care to protect all blower motor leads from damage.

Install the basic heater enclosure into the slide mount previously used for mounting the blower. Secure the heater enclosure to the slide mount with the two screws that were removed earlier from the blower housing.

Slide the blower housing into the heater enclosure slide mount located on the top of the enclosure. Secure the blower housing to the heater enclosure with two screws (shipped in plastic bag).

IMPORTANT

The optional heat packages in conjunction with models RPMH30B or RPMH36B are internally wired to allow a maximum of 10Kw single or 12Kw three phase of electric heat to be energized during heat pump operation. Any additional installed Kw will operate only during the emergency heat mode.

A maximum of 20Kw may operate in the heating mode for models RPMA30A and RPMA36A.

WIRING CONNECTIONS

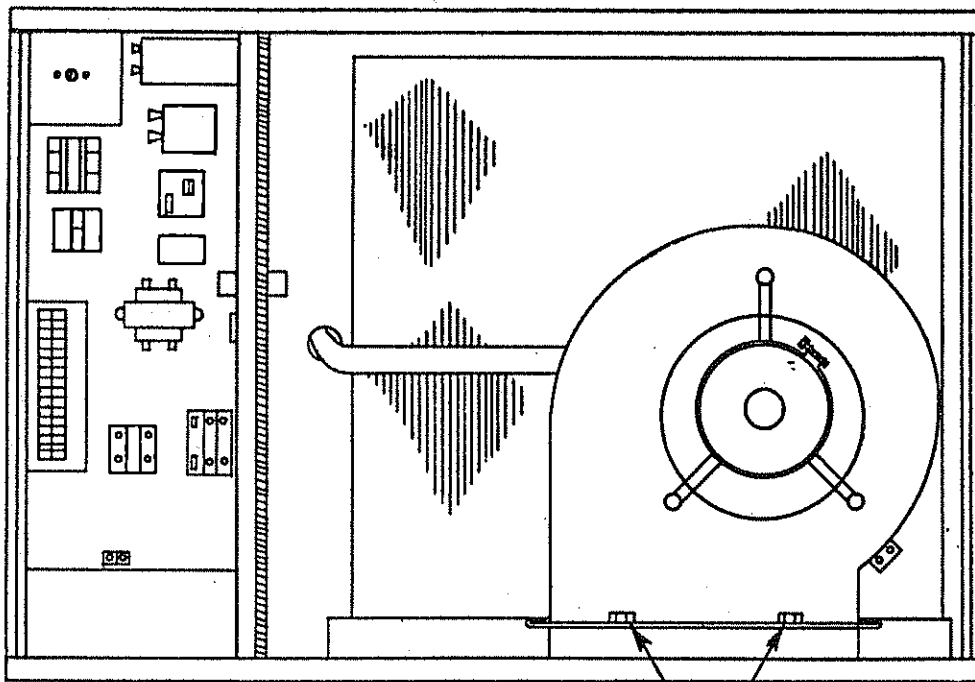
Connect the wires exiting the rear of the heater package into the unit circuit by plugging in the plastic snap lock fitting into the mating fitting located on the insulated partition between the control panel and the blower area.

IMPORTANT: A separate power supply must be provided for use with any optional heater package. DO NOT attempt to connect a heater package with a basic unit to a single power supply.

Remove the unit control panel exposing a 3½" x 11" raceway at the bottom of the panel. The field installed heater power supply is to be routed through the exposed raceway into the heater package.

Inspect all wiring for damage and secure any loose wiring. See Figure 3 for completed assembly. Replace the control box cover and the blower service door.

Energize both power supplies and check for proper system operation.



Remove these two screws to remove blower assembly.

FIGURE 2.

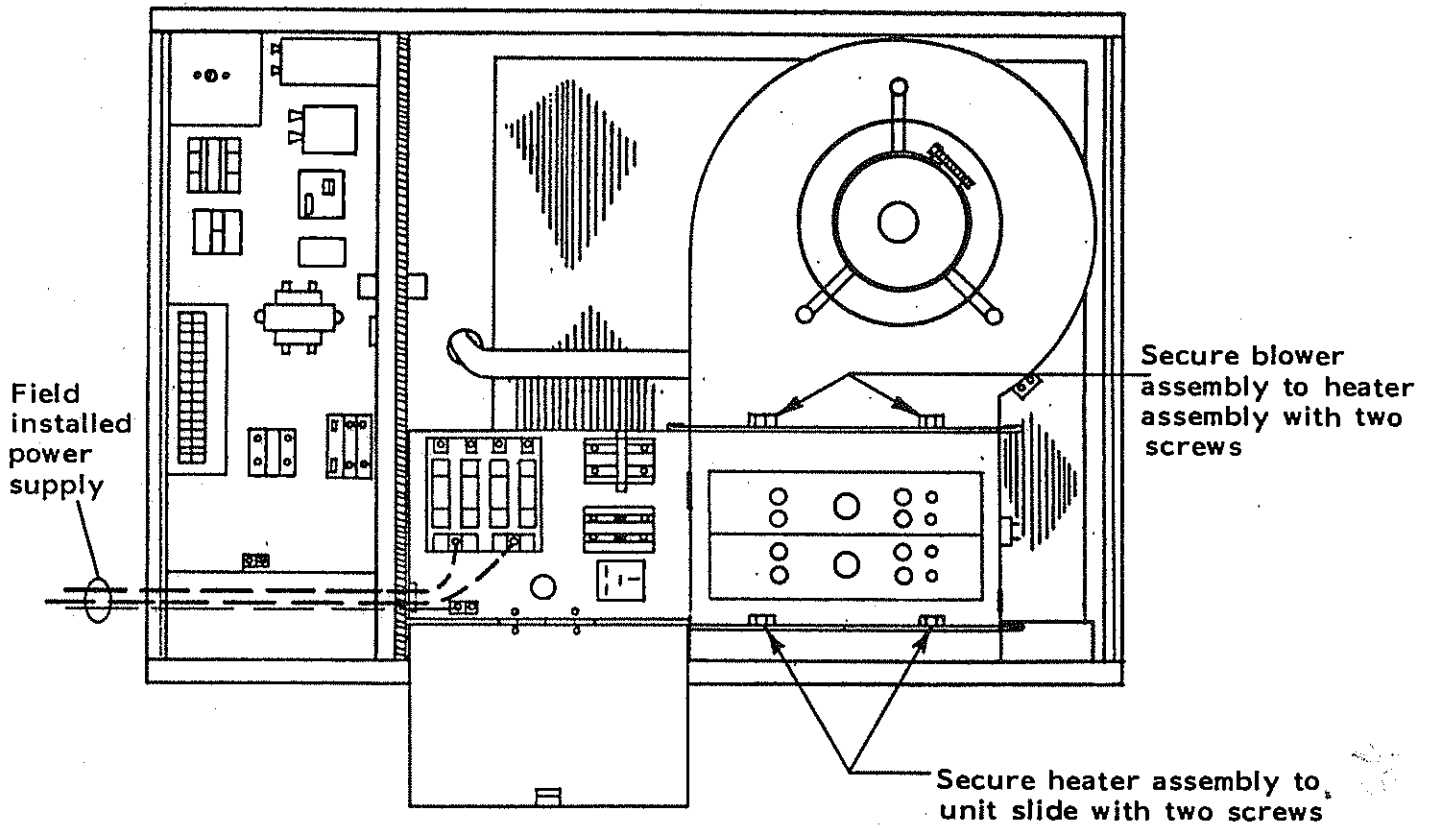
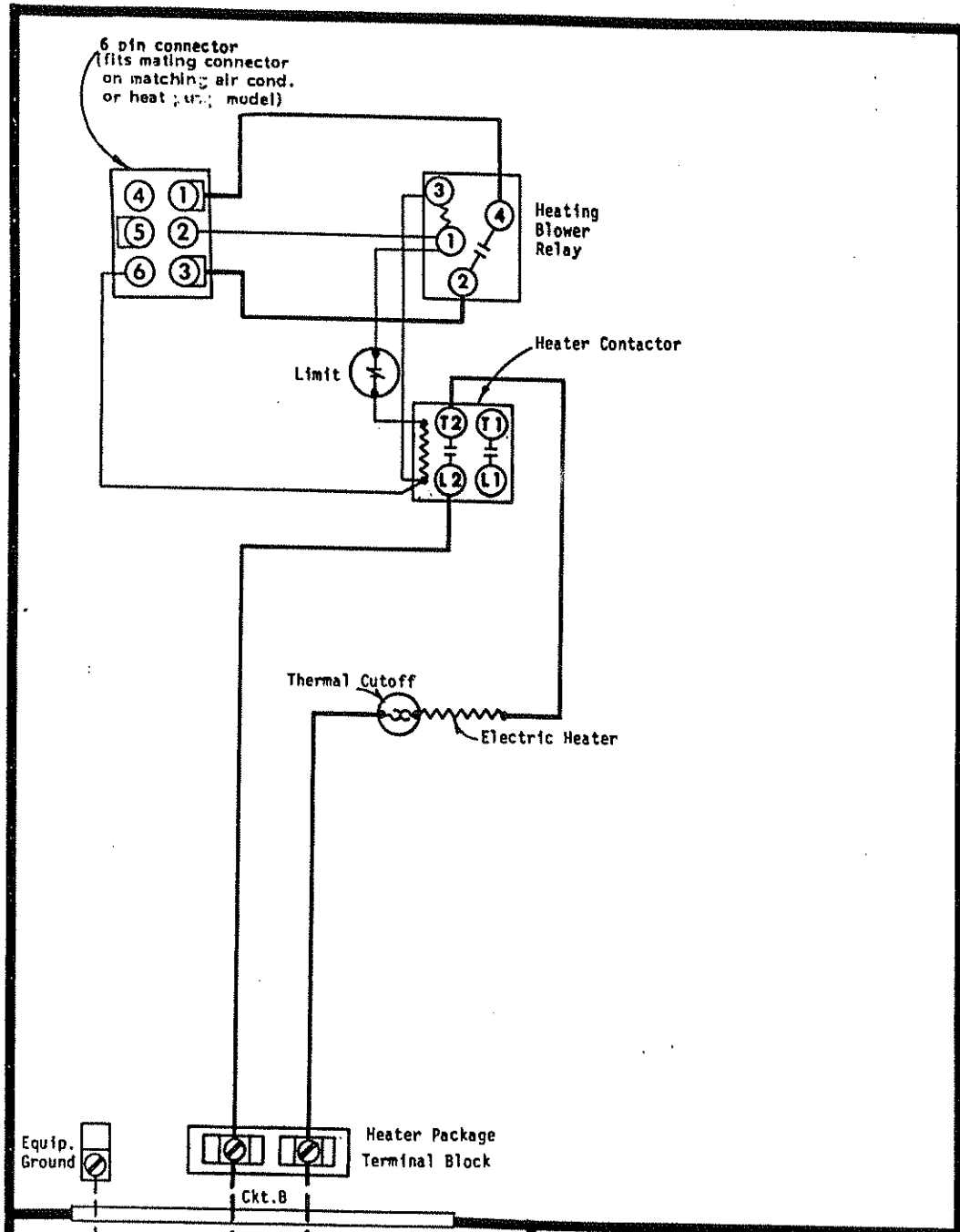


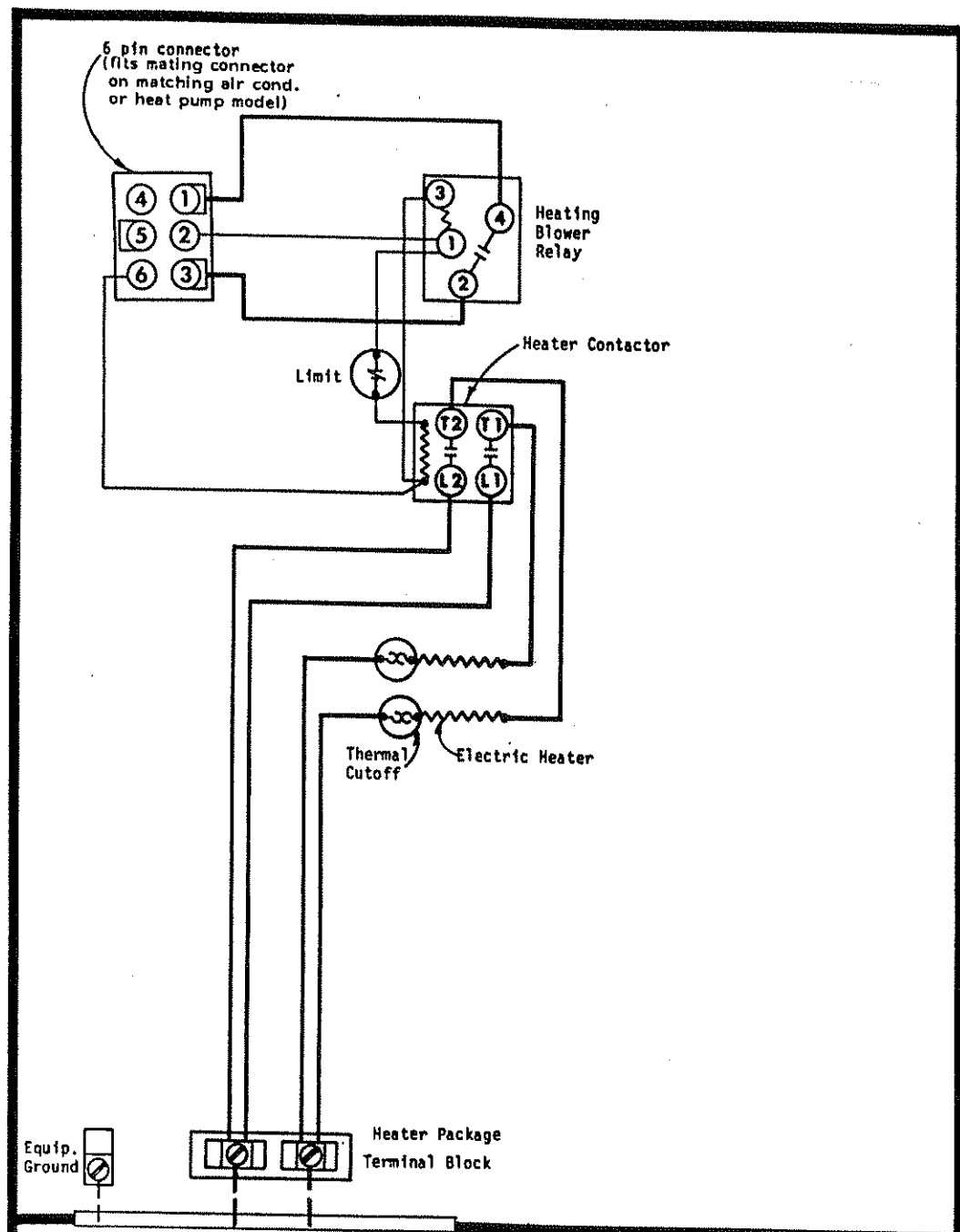
FIGURE 3.



FACTORY WIRING	FIELD WIRING
Low Voltage ———	-----
High Voltage ———	-----

USE COPPER OR ALUMINUM WIRE

NOTE: Refer to the heat package for proper installation.



6 pin connector
(fits mating connector
on matching air cond.
or heat pump model)

Heating
Blower
Relay

Heater Contactor

Limit

Thermal
Cutoff

Electric Heater

Equip.
Ground

Heater Package
Terminal Block

Ckt. B

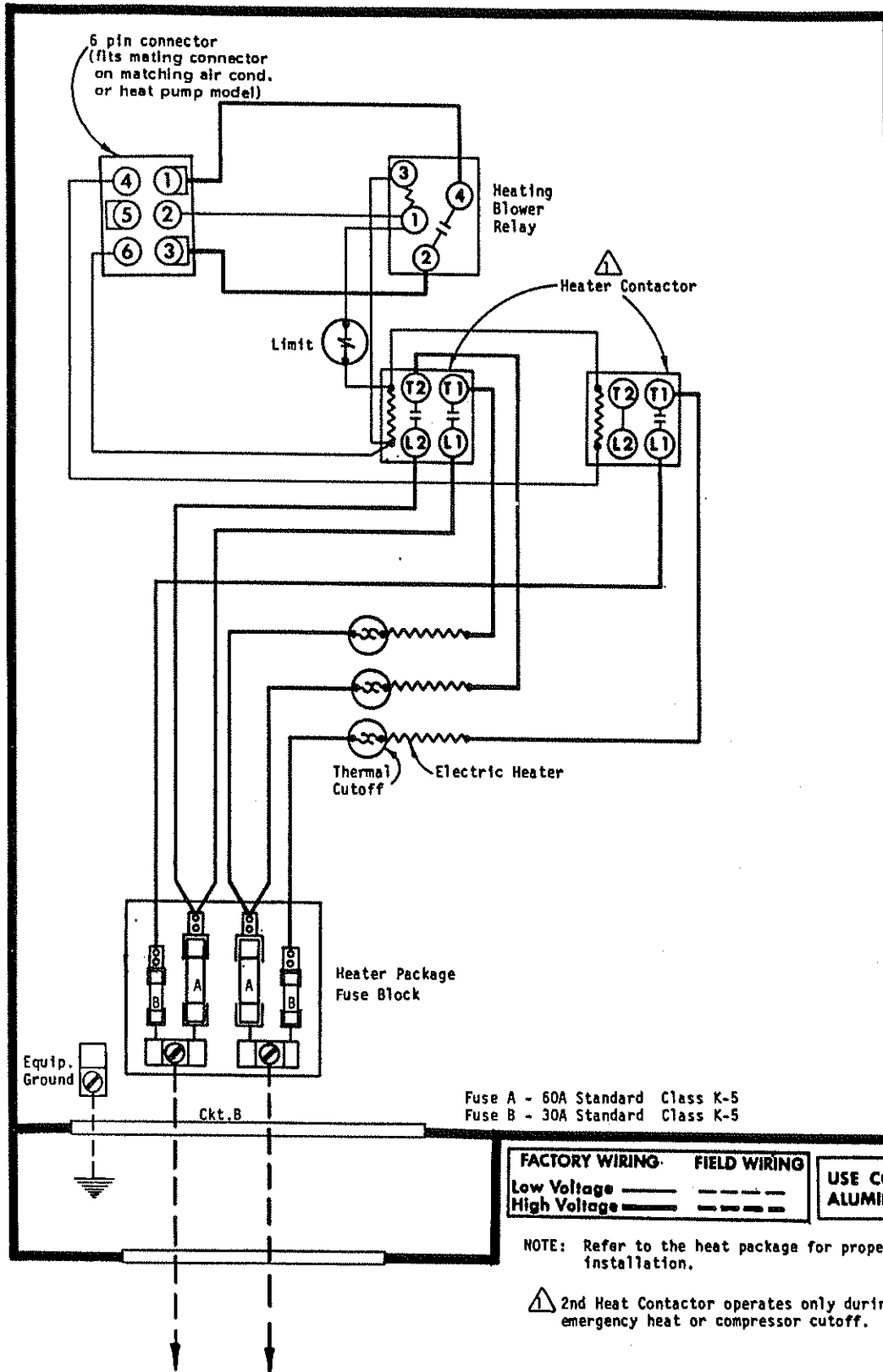
FACTORY WIRING	FIELD WIRING
Low Voltage ———	-----
High Voltage ———	-----

**USE COPPER OR
ALUMINUM WIRE**

NOTE: Refer to the heat package for proper
installation.

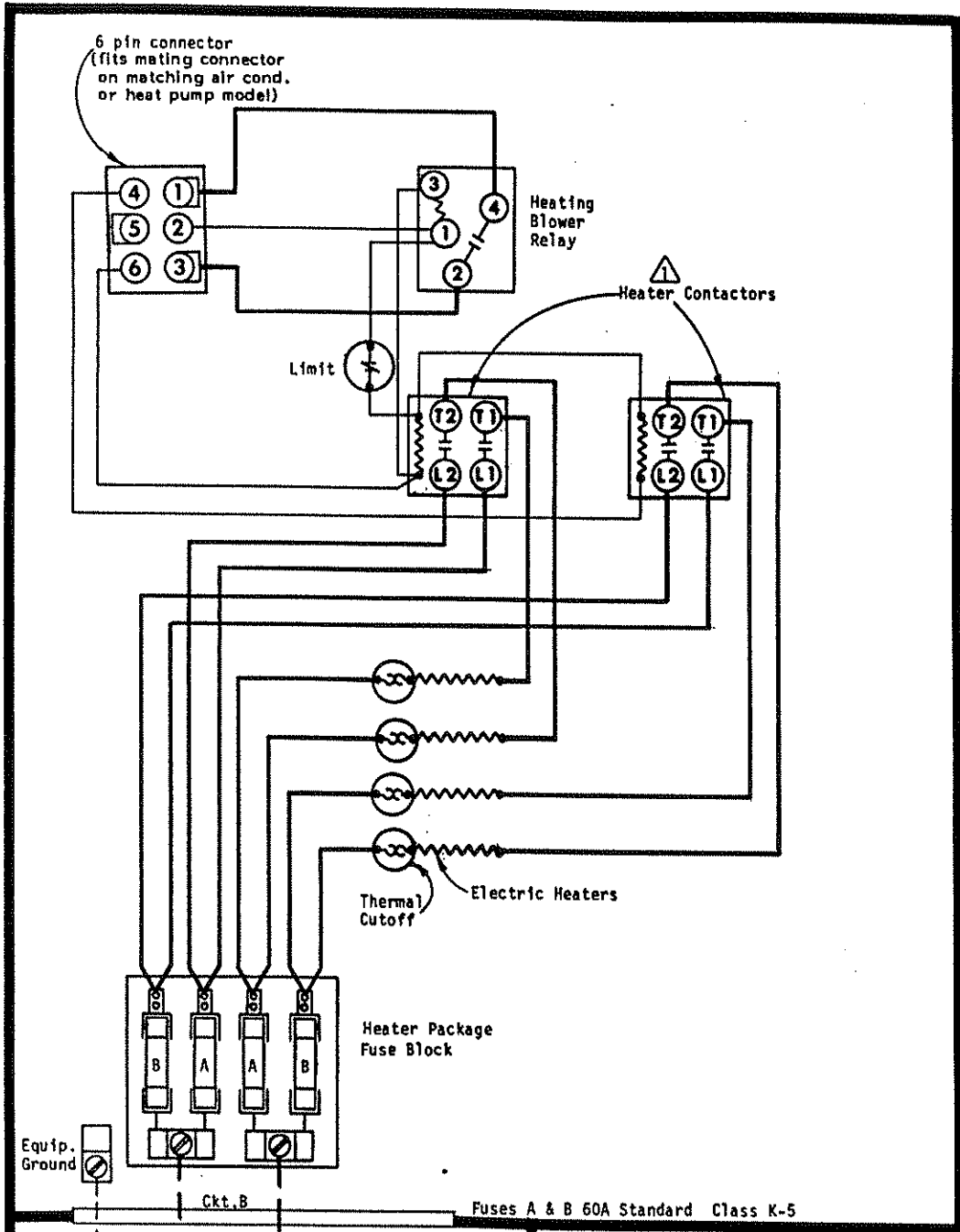
290/208-60-1

4073-120 B



240/208-60-1

4073-130 B



6 pin connector
(fits mating connector
on matching air cond.
or heat pump model)

Heating
Blower
Relay

Heater Contactors

Limit

Thermal
Cutoff

Heater Package
Fuse Block

Equip.
Ground

Fuses A & B 60A Standard Class K-5

FACTORY WIRING	FIELD WIRING	USE COPPER OR ALUMINUM WIRE
Low Voltage	-----	
High Voltage	-----	

NOTE: Refer to the heat package for proper installation.

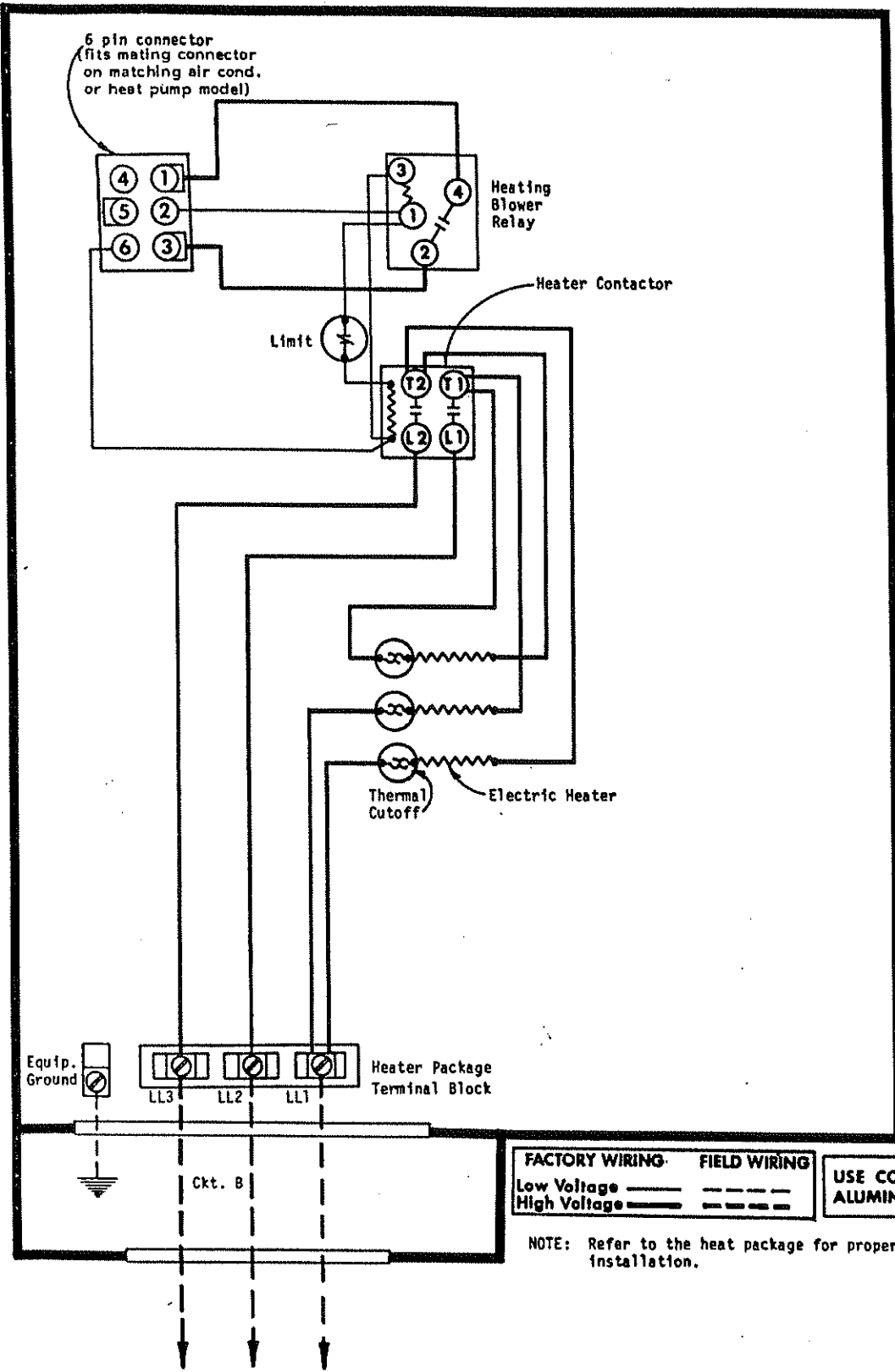
⚠ 2nd Heat Contactor operates only during emergency heat or compressor cutoff.

Field wiring material must be rated at least 75°C.

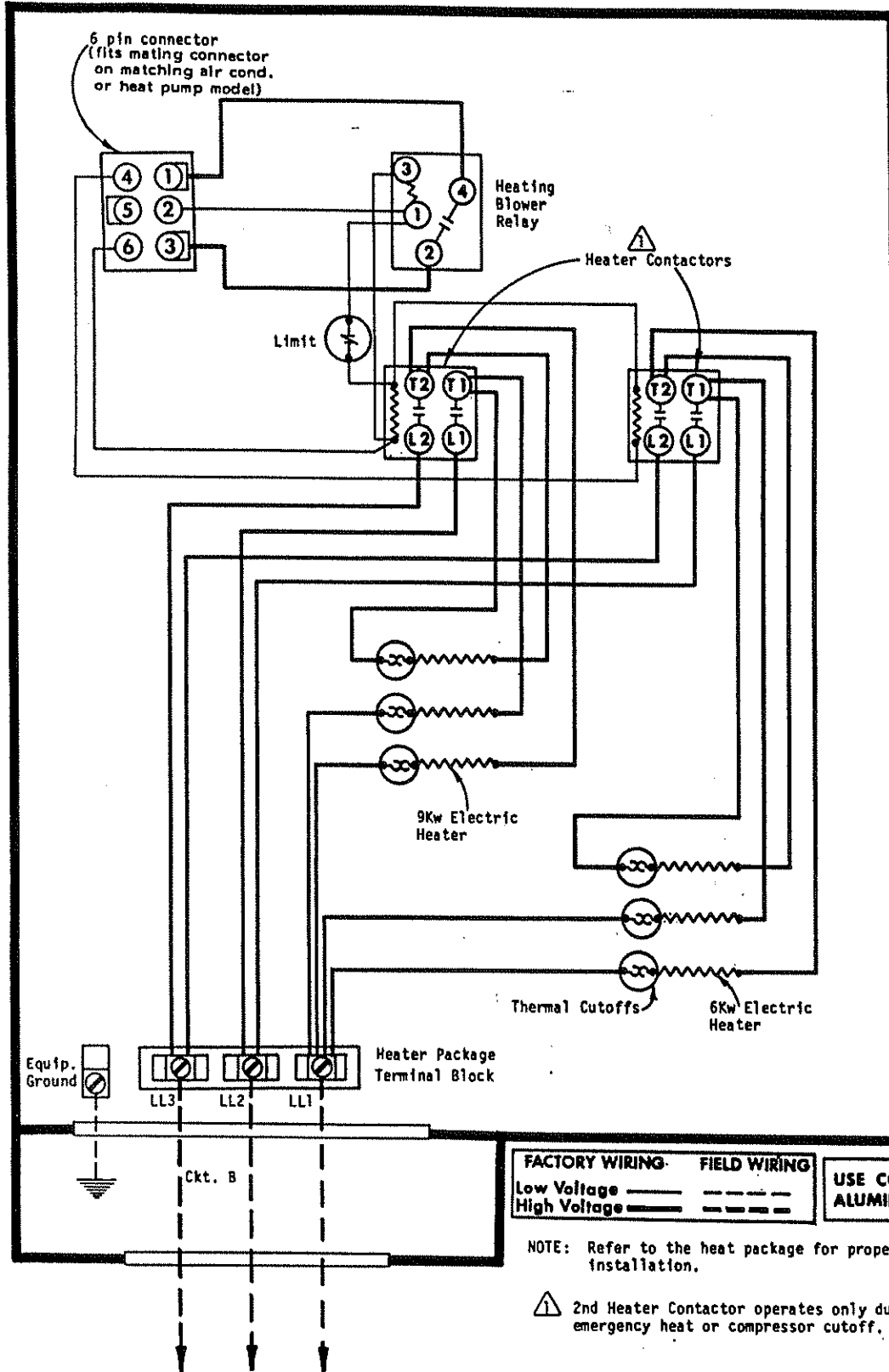
For supply connections use No. 2 AWG (240V) or No. 3 AWG (208V) or larger wires suitable for at least 75°C (167°F).

240/208-60-1

4073-140c

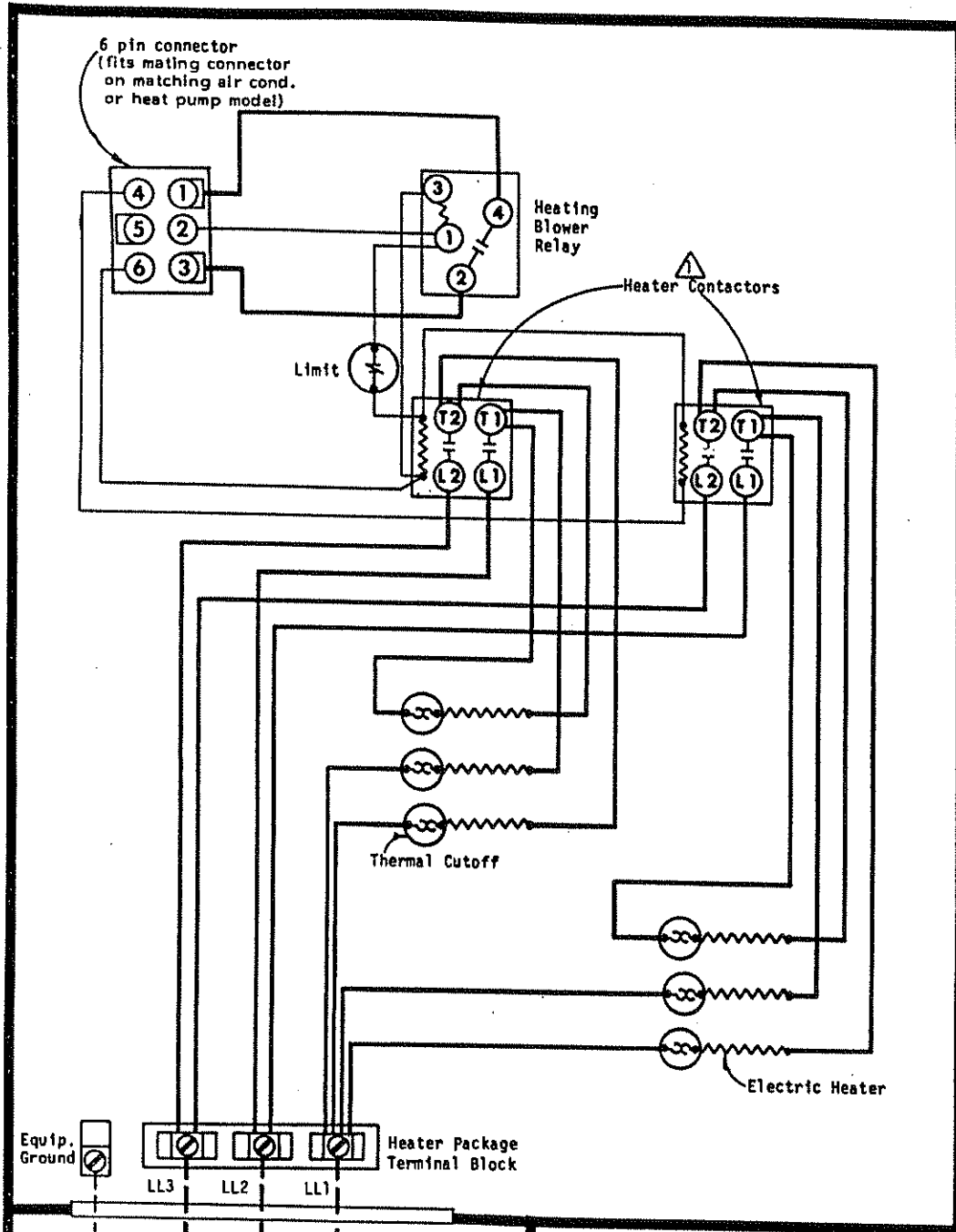


240/208-60-3



280/208-60-3

4073-220 B



FACTORY WIRING	FIELD WIRING
Low Voltage ———	-----
High Voltage ———	-----

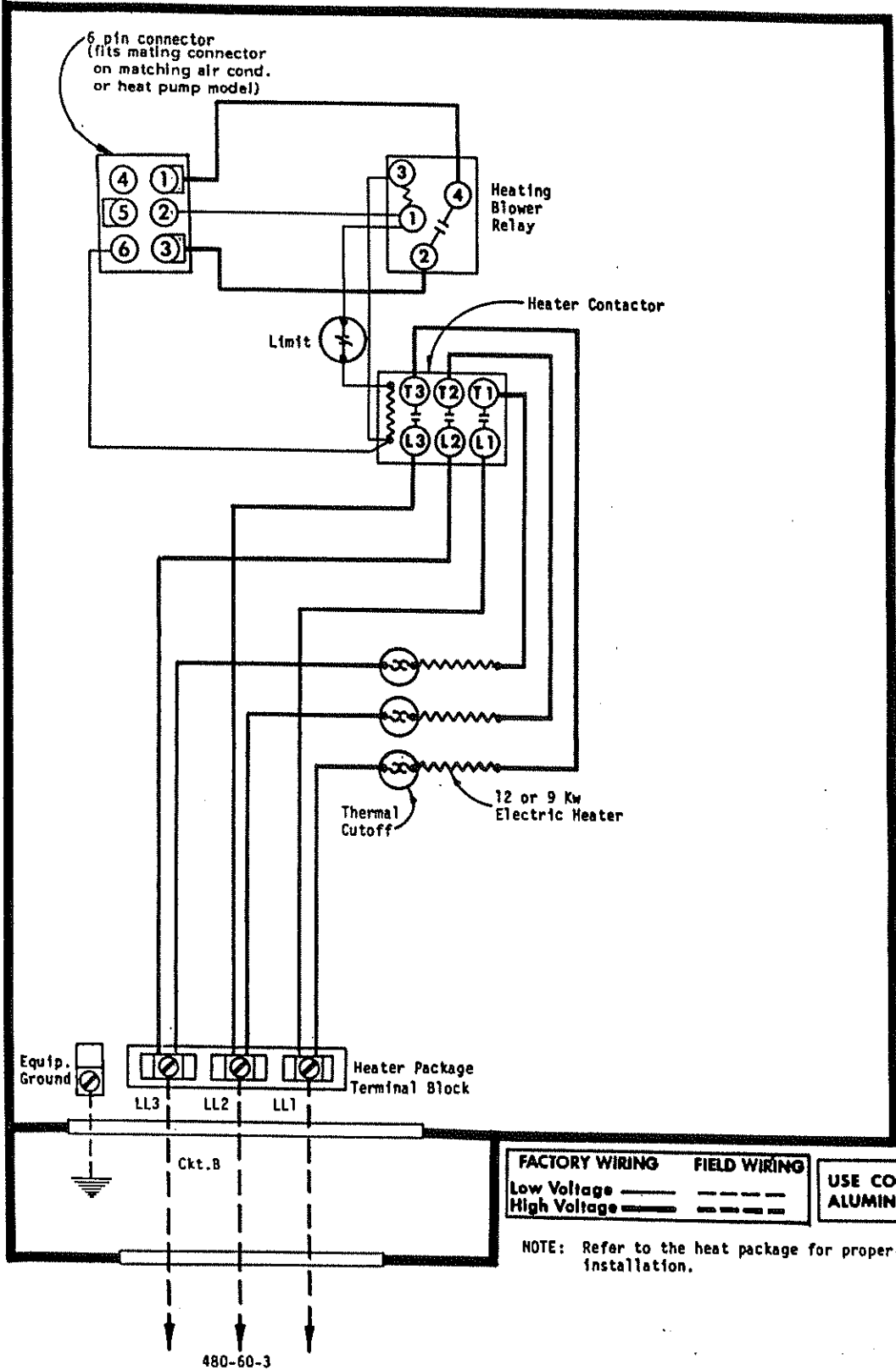
USE COPPER OR ALUMINUM WIRE

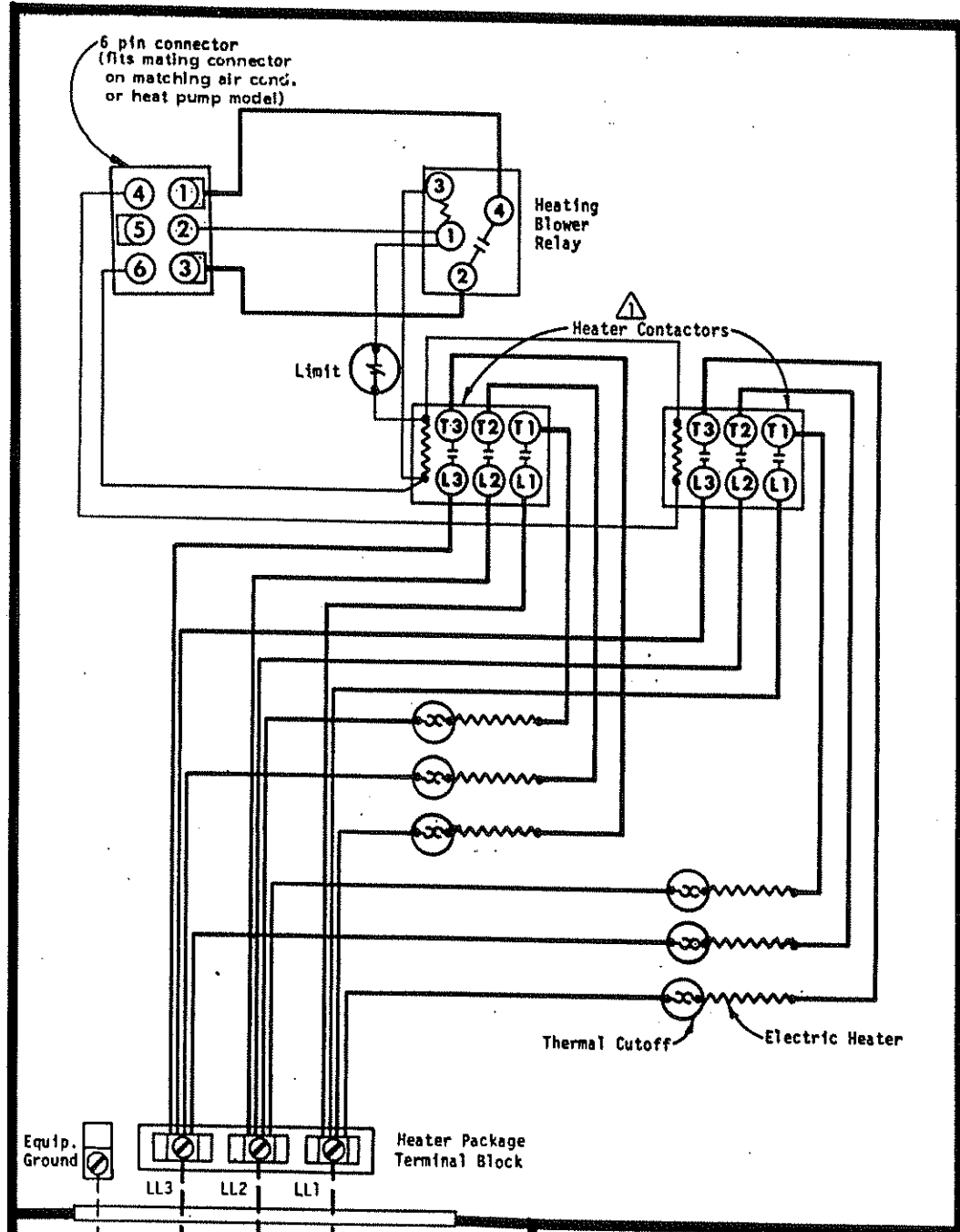
NOTE: Refer to the heat package for proper installation.

⚠ 2nd Heater Contactor operates only during emergency heat or compressor cutoff.

240/208-60-3

4073-230 B





6 pin connector
(fits mating connector
on matching air cond.
or heat pump model)

Heating
Blower
Relay

Heater Contactors

Limit

Thermal Cutoff

Electric Heater

Equip.
Ground

Heater Package
Terminal Block

LL3

LL2

LL1

Ckt. B

FACTORY WIRING

FIELD WIRING

Low Voltage ———
High Voltage ———

USE COPPER OR
ALUMINUM WIRE

NOTE: Refer to the heat package for proper
installation.

⚠ 2nd Heater Contactor operates only during
emergency heat or compressor cutoff.

480-60-3

4073-320 B