

INSTALLATION INSTRUCTIONS

SPLIT AIR CONDITIONER OUTDOOR SECTION

MODELS

24UACS,QA

30UACS,QA

36UACS,QA

36UACSA-B

42UACS,QA

42UACSA-B

48UACS,QA

48UACSA-B

60UACS,QA

60UACSA-B

**FOR USE WITH:
MATCHING INDOOR BLOWER
COIL UNITS AND MATCHING
ADD ON COIL UNITS ONLY**

COPYRIGHT FEBRUARY, 1989
BARD MANUFACTURING COMPANY
BRYAN, OHIO

INDEX

I. Application and Installation Instructions 3
 General 3
 Shipping Damage 3
 Installation 3
 Location 4
 Mounting Unit Outside on Slab 4
 Wiring 4
 Pressure Service Ports 4
 Crankcase Heaters 5
 Fan Blade Setting Dimensions 5
 Important Installer Note 6
 Indoor Coil 6

II. Installing Refrigerant Tubing (Applicable to "S" Models). 7

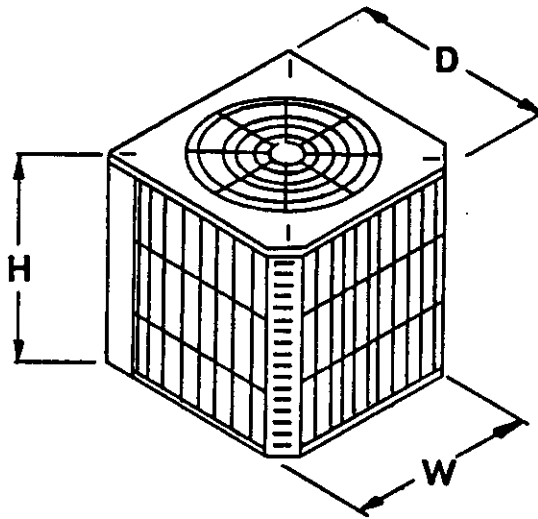
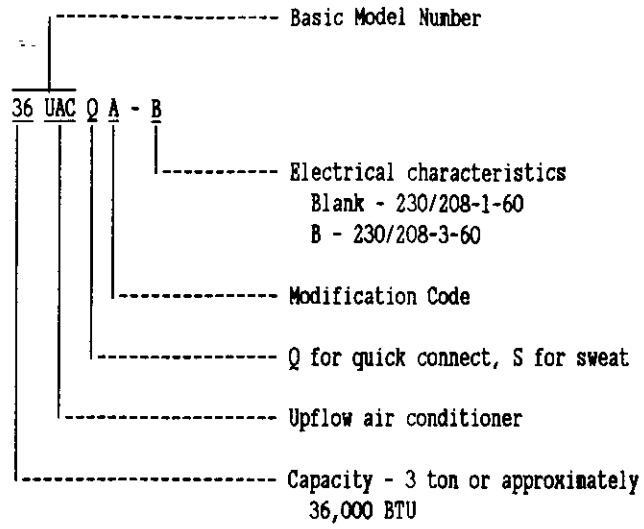
III. Installing Refrigerant Tubing (Precharged--Applicable to "Q" Models). . 7
 System Start-Up 9
 Refrigerant Charge Checking 9

INDEX OF FIGURES AND TABLES

Figure 1	1
Figure 2	3
Figure 3	5
Figure 4	6
Figure 5	8
Table 1	2
Table 2	6
Table 3	7
Table 4	9
Table 5	10
Table 6	10
Table 7	11
Table 8	15
Table 9	16
Table 10	17
Table 11	18
Table 12	19
Table 13	20

FIGURE 1

NOMENCLATURE EXPLANATION - Example:



DIMENSIONS			
Basic Model No.	"W" Width	"D" Depth	"H" Height
24UAC	32-1/2	32-1/2	26"
30UAC			
36UAC			
42UAC			
48UAC			
60UAC			36"

TABLE 1

RATED CFM AND AIR FLOW DATA (WET COIL--COOLING)									
Condensing Unit Model Number	Evaporator Coil Model Number	Rated Airflow		Rated E.S.P. ②	Motor Speed Tap	Recommended Air Flow Range			
		CFM	Pressure Drop H ₂ O ①						
24UACQA 24UACSA	A18AQ-A	750	.20			640 - 825			
	A18AS-A								
	A30AQ-A	825	.15			700 - 910			
	A30AS-A								
30UACQA 30UACSA	B24EHQ1	785	.20	.20	High	670 - 860			
	3HCQ1	800					.20		680 - 880
	A30AQ-A	1000							
A30AS-A									
36UACQA 36UACSA	B36EHQ1	1025	.30	.40	Low	870 - 1300			
	3HCQ1	1000					.30		850 - 1100
	A30AQ-A	1125							
A30AS-A									
36UACQA 36UACSA 36UACSA-B	A36AQ-A	1200	.30			1020 - 1320			
	A36AS-A								
	A42AQ-A	1380	.30			1170 - 1520			
	A42AS-A								
	A48AQ-A	1450	.27			1230 - 1600			
	A48AS-A								
B36EHQ1	1200	.30	.30	High	1020 - 1320				
3HCQ1	950					.30		900 - 1050	
4HCQ	1300								.25
A42AQ-A	1325	.30			1125 - 1450				
A42AS-A									
42UACQA 42UACSA 42UACSA-B	A48AQ-A	1525	.30			1300 - 1675			
	A48AS-A								
	BC48A	1525	.20	.40	Low	1300 - 1675			
	BC60A	1640					.40	High	1400 - 1800
	4HCQ	1200	.30			1020 - 1320			
5HCQ	1500	.30							1275 - 1650
A42AQ-A	1325		.30			1125 - 1450			
A42AS-A									
48UACQA 48UACSA 48UACSA-B	A48AQ-A	1525	.30			1300 - 1675			
	A48AS-A								
	BC48A	1700	.30	.30	High	1450 - 1875			
	BC60A	1750					.30	High	1485 - 1925
	4HCQ	1300	.30			1170 - 1450			
	5HCQ	1375					.30		
A48AQ-A	1500	.30			1275 - 1650				
A48AS-A									
60UACQA 60UACSA 60UACSA-B	A60AQ-A	1900	.30			1615 - 2100			
	A60AS-A								
	BC48A	1700	.30	.30	High	1450 - 1875			
	BC60A	1800					.20	High	1525 - 1975
	5HCQ	1600	.30			1360 - 1760			

① Measured across the evaporator coil assembly, including drain pan.

② External static pressure available for the duct system - supply and return. All blower coils have multi-speed motors, and value shown is at the recommended rated speed. Consult specification air flow charts with the blower coil units for complete information at other speeds.

APPLICATION AND INSTALLATION INSTRUCTIONS

GENERAL

These instructions explain the recommended method to install the air cooled remote type condensing unit, the interconnecting refrigerant tubing, and the electrical wiring connections to the unit.

The condensing units are to be used in conjunction with the matching evaporator coils or evaporator blower units for comfort cooling applications as shown in the specification sheet.

These instructions and any instructions packaged with any separate equipment required to make up the entire air conditioning system should be carefully read before beginning the installation. Note particularly "Connecting Quick-Connect Couplings, Starting Procedure" and any tags and/or labels attached to the equipment.

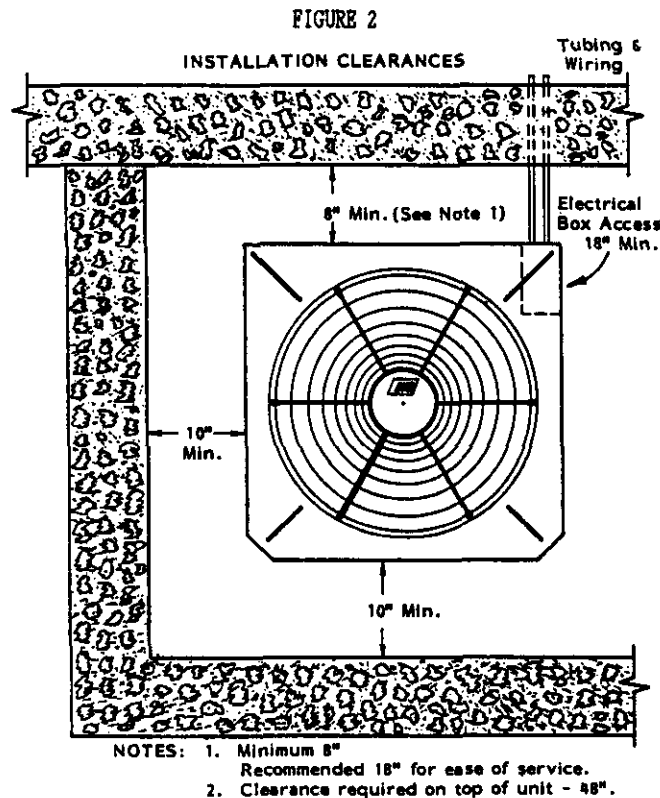
While these instructions are intended as a general recommended guide, they do not supersede any national and/or local codes in any way. Authorities having jurisdiction should be consulted before the installation is made.

SHIPPING DAMAGE

Upon receipt of equipment, the carton should be checked for external signs of shipping damage. If damage is found, the receiving party must contact the last carrier immediately, preferably in writing, requesting inspection by the carrier's agent.

INSTALLATION

Size of unit for a proposed installation should be based on heat loss calculation made according to methods of National Warm Air Heating and Air Conditioning Association. The air duct should be installed in accordance with the Standards of the National Fire Protection Association for the Installation of Air Conditioning and Ventilating Systems of Other Than Residence Type, NFPA No. 90A, and Residence Type Warm Air Heating and Air Conditioning Systems, NFPA 90B. Where local regulations are at a variance with instructions, installer should adhere to local codes.



LOCATION

The condensing unit is designed to be located outside with free and unobstructed condenser air inlet and discharge. It must also permit access for service and installation. Condenser air enters the coil on three sides and discharges upward from the top. Refrigerant and electrical connections are made from the rear of the unit as shown in Figure 2 with electrical service access on the right side. The unit can be installed with the rear of the unit "close to the wall", however, additional service clearance at the back of the unit would be desirable if practical for unit service. The compressor can be serviced through the top.

MOUNTING UNIT OUTSIDE ON SLAB

A solid level base or platform, capable to support the unit's weight, must be set at the outdoor unit predetermined location. The base should be at least two inches larger than the base dimensions of the unit and at least two inches higher than surrounding grade level. The required unit minimum installed clearances must be maintained as called out in Figure 2 when locating and setting the base.

Remove the unit from its shipping carton and position the unit on the prepared base or platform.

Do not attach the unit or its base to the building structure to avoid the transmission of noise into the occupied area.

NOTE: These units employ internally sprung compressors; therefore, it is not necessary to remove or loosen the base mounting bolts on the compressor prior to operation.

Consideration should be given to the electrical and tubing connections when placing the unit to avoid unnecessary bends or length of material.

WIRING

All wiring must be installed in accordance with the National Electrical Code and local codes. Power supply voltage must conform to the voltage shown on the unit serial plate. A wiring diagram of the unit is attached to the inside of the electrical cover. The power supply shall be sized and fused according to the specifications supplied. A ground lug is supplied in the control compartment for equipment ground.

The control circuit is a 24 volt circuit. "Typical" wiring diagrams illustrating some of the various circuits which could be encountered can be found later in the manual.

The unit rating plate lists a "Maximum Time Delay Fuse" or "HACR Type" circuit breaker that is to be used with the equipment. The correct size must be used for proper circuit protection and also to assure that there will be no nuisance tripping due to the momentary high starting current of the compressor motor.

When matching with a B-model blower coil unit, refer to the installation instructions with that indoor unit for 24V wiring information.

PRESSURE SERVICE PORTS

High and low pressure service ports are installed on all units so that the system operating pressures can be observed. Pressure curves can be found later in the manual covering all models. It is imperative to match the correct pressure curve to the unit by model number.

The pressure service ports on the split system air conditioners are located on the interconnecting tubing quick-connect fittings, or the base valves.

CRANKCASE HEATERS

All models have an insertion well-type heater located in the lower section of the compressor housing. This is a self-regulating type heater that draws only enough power to maintain the compressor at a safe temperature.

Crankcase heat is essential to prevent liquid refrigerant from migrating to the compressor, causing oil pump out on compressor start-up, and possible valve failure due to compressing a liquid.

The following decal is affixed to all outdoor units detailing start-up procedure. This is very important. Please read carefully.

FIGURE 3

IMPORTANT

THESE PROCEDURES MUST BE FOLLOWED AT INITIAL START-UP AND AT ANY TIME POWER HAS BEEN REMOVED FOR 12 HOURS OR LONGER.

TO PREVENT COMPRESSOR DAMAGE WHICH MAY RESULT FROM THE PRESENCE OF LIQUID REFRIGERANT IN THE COMPRESSOR CRANKCASE

1. MAKE CERTAIN THE ROOM THERMOSTAT IS IN THE OFF POSITION. (THE COMPRESSOR IS NOT TO OPERATE).
2. APPLY POWER BY CLOSING THE SYSTEM DISCONNECT SWITCH THIS ENERGIZES THE COMPRESSOR HEATER WHICH EVAPORATES THE LIQUID REFRIGERANT IN THE CRANKCASE.
3. ALLOW 4 HOURS OR 60 MINUTES PER POUND OF REFRIGERANT IN THE SYSTEM AS NOTED ON THE UNIT RATING PLATE WHICHEVER IS GREATER.
4. AFTER PROPERLY ELAPSED TIME THE THERMOSTAT MAY BE SET TO OPERATE THE COMPRESSOR.
5. EXCEPT AS REQUIRED FOR SAFETY WHILE SERVICING — DO NOT OPEN SYSTEM DISCONNECT SWITCH.

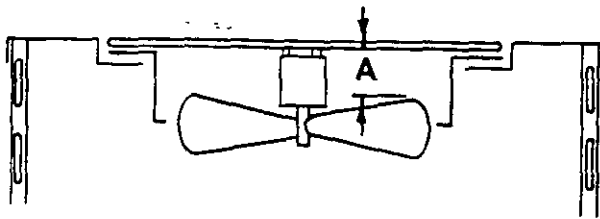
7961 061

FAN BLADE SETTING DIMENSIONS

Shown in the drawing below are the correct fan blade setting dimensions for proper air delivery across the outdoor coil.

Any service work requiring removal or adjustment in the fan and/or motor area will require that the dimensions below be checked and blade adjusted in or out on the motor shaft accordingly.

FIGURE 4



Model	Dimension A
24, 30, 36UAC	3-1/2
42, 48UA	4
60UAC	4

IMPORTANT INSTALLER NOTE:

For improved start-up performance, wash the indoor coil with a dishwasher detergent.

INDOOR COIL

These units are designed to match with all indoor blower coils, horizontal coils and "A" coils shown earlier in these instructions. All blower and horizontal coils are produced with capillary tube type refrigerant control. All "A" coils shown are produced with an interchangeable brass orifice to provide optimum matching of the refrigerant control when matching alternate sized "A" coils to the outdoor unit. A properly sized orifice for each outdoor section is packaged with this unit. See installation instructions packaged with the "A" coils for complete details.

TABLE 2

ELECTRICAL DATA											
MODEL	24UAC*A	30UAC*A	36UAC*A	36UACSA-B	42UAC*A	42UACSA-B	48UACQA	48UACSA-B	60UACQA	60UACSA-B	
Electrical Rating--(60HZ/V/PH)	230/208-1			230/208-3	230/208-1	230/208-3	230/208-1	230/208-3	230/208-1	230/208-3	
Operating Voltage Range	197 - 253			187 - 253	197 - 253	187 - 253	197 - 253	187 - 253	197 - 253	187 - 253	
Minimum Circuit Ampacity	15	19	22	15	27	18	29	19	39	28	
+Field Wire Size	#14	#12	#10	#14	#10	#12	#10	#12	#8	#10	
++Delay Fuse Max. or Ckt. Bkr.	20	30	35	25	45	30	45	30	60	40	
Total Unit Amps 230/208	8.9/9.6	11.6/12.6	15.6/17.6	10.4/11.7	18/20.5	12.5/13.6	19.5/22	13.4/14.7	24.8/27.3	20.6/22.3	
Compressor											
Rated Load Amps 230/208	7.5/8.5	10.5/11.7	14.5/16.5	8.9/10.3	16.5/19	11.0/12.1	18/20.5	11.9/13.2	22.5/25	18.3/20	
Branch Ckt. Selection Current	9.3	14.1	16.5	10.8	20.2	12.9	21.5	13.8	28.9	20	
Lock Rotor Amps 230/208	50/50	66/66	75.8/75.8	65/65	93/93	74/74	95.4/95.4	82/82	138/138	103/103	
Fan Motor & Condenser											
Fan Motor--HP/RPM	1/6 - 825				1/4 - 825				1/3 - 1075		
Fan Motor--Amps	1.1				1.5				2.3		
Fan--DIA/CFM	24" - 3000				24" - 3100				24" - 3100		
+60 deg. C copper wire size.											
++Maximum time delay fuse or HACR type circuit breaker											
*Applies to sweat and quick connect type.											

INSTALLING REFRIGERANT TUBING

(Applicable to "S" Models)

Use only refrigeration grade (dehydrated and sealed) copper tubing of the size indicated below (Table 3). Care must be taken to insure that the tubing is kept clean and dry before and during installation. DO NOT remove the plugs from the tubing ends, coil connections or base valves until the connection is ready to be made.

Insulate the suction line with a minimum of 3/8" Armaflex or equivalent. Install the insulation to the suction line before cutting and making connections.

TABLE 3

Basic Condensing Unit Model	REFRIGERANT LINE LENGTH (Ft.)		
	0 - 20	21 - 60	61 - 100
	Liquid & Suction	Liquid & Suction	Liquid & Suction
24UAC	3/8 & 5/8	3/8 & 3/4	3/8 & 3/4
30UAC	3/8 & 5/8	3/8 & 3/4	3/8 & 3/4
36UAC	3/8 & 5/8	3/8 & 3/4	1/2 & 7/8
42UAC	3/8 & 3/4	3/8 & 7/8	1/2 & 7/8
48UAC	3/8 & 7/8	3/8 & 7/8	1/2 & 1-1/8
60UAC	3/8 & 7/8	3/8 & 7/8	1/2 & 1-1/8

INSTALLING REFRIGERANT TUBING

(Precharged--Applicable to "Q" Models)

PRECHARGED TUBING--Examine carefully the two lengths of precharged tubing furnished with the unit. The larger is the suction line. The smaller is the liquid line. The end of the tubing with the hex nut and gauge port is to be attached to the condensing unit.

Unroll the tubing, being careful not to kink, and install it between the condensing unit.

CAUTION: Be careful not to tear the insulation when pushing it through holes in masonry or frame walls.

When sealing tube opening in house wall, use a soft material to prevent tube damage and vibration transmission.

Before fastening either end, use a tubing bender to make any necessary bends in the tubing. AVOID EXCESSIVE BENDING IN ANY ONE PLACE TO AVOID KINKING.

Start connecting the tubing at the evaporator coil end, first remove the protective caps and plugs from the quick-connect fittings on the evaporator coil and the precharged tubing. Inspect fittings and clean if necessary, making sure they are clear of foreign materials. If you clean the fittings, lubricate them with refrigeration oil. Connect both tubes to the fittings on the coil and draw up by hand.

When necessary to bend the insulated tube suction line, cut the insulation around its circumference at a distance far enough beyond the point of the bend so as to clear the tubing bender.

Slip the insulation back together and vapor seal the joint with tape.

NOTE: The maximum distance for precharge tubing between the condenser and the evaporator is 45 feet.

CAUTION: Prior to connecting the precharged tubing to the evaporator coil or condensing unit, be sure all

bends have been made, then coil any excess tubing in a horizontal plane, with the slope of the tubing toward the condensing unit.

CAUTION: Be sure to hold the coupling firmly to prevent movement of the coupling and tubing. Failure to do so could tear out the diaphragm causing a blockage of the system.

CAUTION: After starting to tighten up the fitting never try to back it off or take it apart.

For connecting the tubing at the condensing unit end, first remove the protective caps and plugs from the quick-connect fittings on the condensing unit and the precharged tubing. Inspect fittings and clean if necessary, making sure they are clear of foreign materials. If you clean the fittings, lubricate them with refrigeration oil. Connect both tubes to the fittings on the coil and draw up by hand.

Locate the gauge port in a 45 degree angle from a vertical up position so as to be accessible for gauge connections.

Use a wrench on the hex nut of the female fitting backing up the fitting with another wrench to keep tube from turning. Tighten the fittings together until they bottom out then tighten for an additional 1/4 turn so that coupling will seat properly.

Check the gauge port cap to make sure it is tight. If loose, tighten, being careful not to tighten too much as it will damage the valve in the gauge port.

Leak test all connections using an Electronic Leak Detector or a Halide Torch.

When tubing is installed in attics or drop ceiling, insulate the quick connect fitting on the larger tube thoroughly with 3/8" wall thickness, closed cell sponge tube insulation or equivalent. Failure to insulate will result in water damage to ceiling since the fitting will "sweat" and drop water on the ceiling.

FIGURE 5

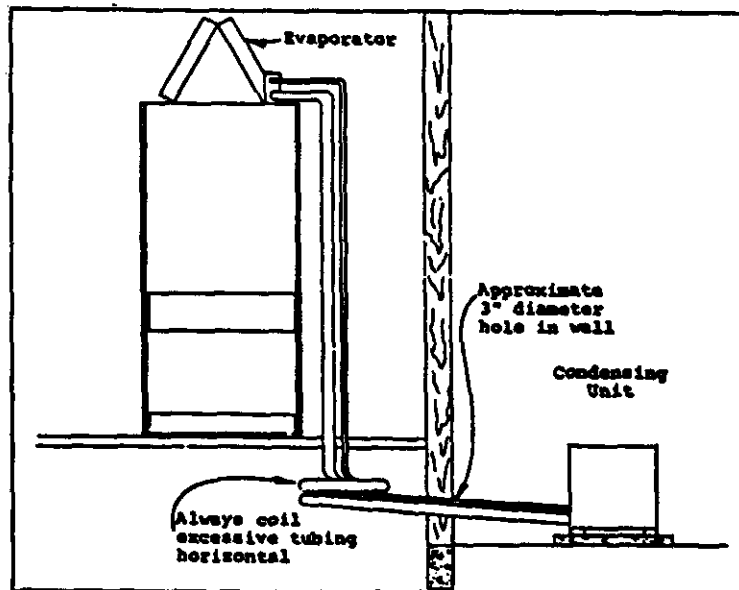


TABLE 4

CHARGED TUBING (For Use With "Q" Versions)					
Model No.	Stub Tube*	15'	25'	35'	45'
24UACQ	CTO*	CT15A	CT25A	CT35	CT45
30UACQ	3/8" & 3/4"	3/8" & 5/8"	3/8" & 3/4"	3/8" & 3/4"	3/8" & 3/4"
36UACQ					
42UACQ	CTO-12*	CT15-12	CT25-12	CT35-12	CT45-12
48UACQ	3/8" & 7/8"	3/8" & 7/8"	3/8" & 7/8"	3/8" & 7/8"	3/8" & 7/8"
60UACQ					
*1/2 Stub Kit available, order CTO-A or CTO-12A (For matching quick connect coils with sweat type outdoor units).					

SYSTEM START-UP

The outdoor section of the air conditioner units are shipped with a factory R-22 charge sufficient for the nominal (size for size) matching "A" coil when used with 25' of interconnecting tubing. The "Q" models utilize "quick connect" refrigerant connectors and the "S" models use base valves. The units are shipped with the base valves in the closed position to contain the refrigerant charge within the unit.

1. For "S" models, connect a vacuum pump to both base valve service ports.
2. Evacuate the tubing and evaporator to 500 microns or less for a minimum of 30 minutes. Close the valve to the pump and wait for 15 minutes. The vacuum should not rise above 800 microns. If it rises above 800 or if you are not able to obtain 500 micron vacuum, pressurize with R-22, leak check, repair any leaks and repeat step 2.
3. Close valve to the vacuum pump and disconnect. Break the vacuum by opening both the suction and liquid line base valves to the fully open position and connect service gauges for pressure check.
4. Close disconnect switch and set the thermostat to cool and the temperature to the highest setting.
5. Check for proper operation of the indoor fan and outdoor unit.
6. Check and adjust charge if necessary. Refer to charge checking section.

REFRIGERANT CHARGE CHECKING

1. After connecting the service gauges and allowing the unit to run for at least 10 minutes until pressures are stable, record the suction and discharge (liquid) pressure.
2. Install a thermometer on the suction line approximately 6" to 10" from the compressor on all models except the 60UAC models. On the 60UAC install the thermometer approximately 6" ahead of the suction line accumulator (between the accumulator and the indoor section).
3. Determine superheat.

Refer to Table 4 to determine the saturated suction temperature.

Suction line temperature (from step 2) _____

Minus saturated suction temperature _____

Equals--superheat _____

4. Measure outdoor temperature and return air dry bulb and wet bulb temperature and refer to Table 6 to determine the proper superheat setting.
5. Adjust the charge to the proper superheat by adding charge to lower and removing charge to raise the superheat.
6. Check final system operating pressures by comparing to the pressure curves later in this manual.

TABLE 5

SATURATED SUCTION TEMPERATURE (R-22)	
Suction Pressure PSIG	Saturated Suction Temperature (Deg. F)
50	26
53	28
55	30
58	32
61	34
63	36
65	38
67	39
70	41
73	43
76	45
79	47
82	49
86	51

TABLE 6

SYSTEM SUPERHEAT				
Outdoor Ambient Temperature (Deg. F Dry Bulb)	Return Air Temperature Deg. F--Wet Bulb			
	59	63	67	71
105	1	1	5	
95	1	3	(8)	20
90	1	7	14	26
85	3	9	19	33
80	8	14	25	39
75	10	20	30	42

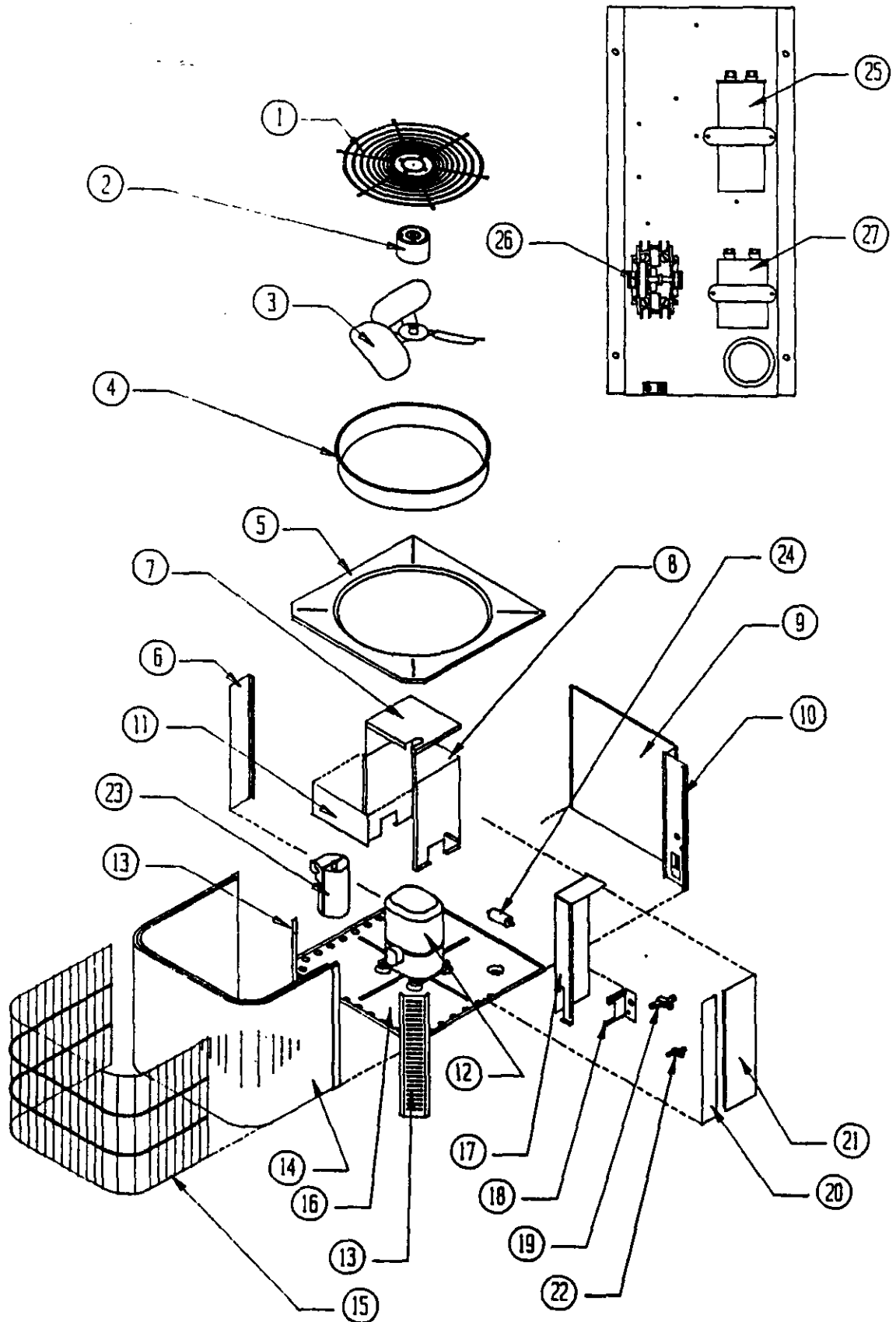
TABLE 7

TOTAL SYSTEM OPERATING CHARGE (Includes charge for the basic outdoor unit, indoor coil and 25' of interconnecting tubing)		
Outdoor Section	Indoor Section	Total R-22 Charge (Oz.)
24UAC*A	A18A*-A	78
	A30A*-A	81
	B24EHQ1	110
30UAC*A	A30A*-A	88
	B36EHQ1	85
36UAC*A 36UACSA-B	A30A*-A	86
	A36A*-A	96
	A42A*-A	99
	A48A*-A	110
	B36EHQ1	92
	3HCQ1	89
42UAC*A 42UACSA-B	4HCQ	106
	A42A*-A	120
	A48A*-A	132
	BC48A	139
48UAC*A 48UACSA-B	BC60A	146
	A42A*-A	153
	A48A*-A	184
	BC48A	174
	BC60A	182
	4HCQ	205
60UAC*A	5HCQ	155
	A48A*-A	208
	A60A*-A	225
	BC48A	287
	BC60A	292
60UACSA-B	5HCQ	264
	A48A*-A	185
	A60A*-A	202
	BC48A	264
	BC60A	269
	5HCQ	241

The above includes 25' of 3/8" diameter liquid line. For other than 25' and other tube sizes, adjust the total charge according to the following schedule.

<u>Liquid Line Diameter</u>	<u>Oz, R-22 Per Ft.</u>
1/4"	.25
3/8"	.6
1/2"	1.2

INSTALLER NOTE: Stamp or mark the final system charge determined above on the outdoor unit serial plate.



PARTS LIST
SPLIT SYSTEM CONDENSING UNITS

Date: 2/01/89

Dwg. No.	Part No.	Description	2	2	3	3	3	3	3	4	4	4	4	4	4	6	6	6
			4	4	0	0	6	6	6	2	2	2	8	8	8	0	0	0
			U	U	U	U	U	U	U	U	U	U	U	U	U	U	U	U
			A	A	A	A	A	A	A	A	A	A	A	A	A	A	A	A
			C	C	C	C	C	C	C	C	C	C	C	C	C	C	C	C
			Q	S	Q	S	Q	S	Q	S	Q	S	Q	S	Q	S	Q	S
			A	A	A	A	A	A	A	A	A	A	A	A	A	A	A	A
									B									B
1	7051-018	Fan & Motor Mount Grille	X	X	X	X	X	X	X	X	X	X	X	X	X	X	X	X
2	8102-010	Motor--Fan	X	X	X	X	X	X	X									
2	8104-007	Motor--Fan							X	X	X	X	X	X				
2	8105-028	Motor--Fan													X	X	X	
3	5151-036	Fan Blade							X	X	X	X	X	X				
3	5151-037	Fan Blade													X	X	X	
3	5151-039	Fan Blade	X	X	X	X	X	X										
4	167-011	Fan Venturi	X	X	X	X	X	X	X	X	X	X	X	X	X	X	X	X
5	106-093	Top	X	X	X	X	X	X	X	X	X	X	X	X	X	X	X	X
6	148-056	Left Rear Corner	X	X	X	X	X	X	X	X	X	X	X	X				
6	148-059	Left Rear Corner													X	X	X	
7	534-078	Sound Enclosure Top							X	X	X	X	X	X				
7	534-082	Sound Enclosure Top													X	X		
7	534-087	Sound Enclosure Top							X	X	X	X	X	X				
8	534-076	Sound Enclosure Wrapper							X	X	X	X	X	X				
8	534-080	Sound Enclosure Wrapper													X	X	X	
9	152-144	Service Door	X	X	X	X	X	X	X	X	X	X	X	X				
9	152-143	Service Door													X	X	X	
10	148-054	Control Panel Corner													X	X	X	
10	148-057	Control Panel Corner													X	X	X	
11	534-081	Sound Enclosure Front							X	X	X	X	X	X	X	X	X	X
12	8000-031	Compressor AG122RT-003																X
12	8000-052	Compressor CRG3-0250-PFV					X	X										
12	8000-053	Compressor CRG3-0250-TF5						X										
12	8000-058	Compressor CRJ3-0300-PFV							X	X								
12	8000-059	Compressor CRJ3-0300-TF5									X							
12	8000-063	Compressor CRK3-0325-PFV										X	X					
12	8000-064	Compressor CRK3-0325-TF5												X				
12	8000-091	Compressor 703006-18-0733													X	X		
12	8000-094	Compressor 702086-02-0820	X	X														
12	8000-095	Compressor 703087-06-0813			X	X												
13	148-055	Front Corner	X	X	X	X	X	X	X	X	X	X	X	X				
13	148-058	Front Corner													X	X	X	
14	5051-043	Condenser Coil			X	X												
14	5051-044	Condenser Coil	X	X			X	X	X									
14	5051-045	Condenser Coil							X	X	X							
14	5051-046	Condenser Coil										X	X	X				
14	5051-047	Condenser Coil													X	X	X	
15	7051-019	Coil Grille	X	X	X	X	X	X	X	X	X	X	X	X	X	X	X	X
15	7051-020	Coil Grille													X	X	X	
16	127-113	Base Assembly	X	X	X	X	X	X	X	X	X	X	X	X	X	X	X	X

PARTS LIST
SPLIT SYSTEM CONDENSING UNITS

Date: 2/01/89

Dwg. No.	Part No.	Description	2	2	3	3	3	3	3	4	4	4	4	4	4	6	6	6
			4	4	0	0	6	6	6	2	2	2	8	8	8	0	0	0
			U	U	U	U	U	U	U	U	U	U	U	U	U	U	U	
			A	A	A	A	A	A	A	A	A	A	A	A	A	A	A	
			C	C	C	C	C	C	C	C	C	C	C	C	C	C	C	
			Q	S	Q	S	Q	S	S	Q	S	S	Q	S	S	Q	S	
			A	A	A	A	A	A	A	A	A	A	A	A	A	A	A	
									B								B	
17	116-094	Control Panel Wrapper	X	X	X	X	X	X	X	X	X	X	X	X				
17	116-096	Control Panel Wrapper	X	X	X	X									X	X	X	
18	140-105	Quick Connect Support	X		X		X											
18	140-106	Quick Connect Support							X			X			X			
18	140-107	Base Valve Support								X	X		X	X			X	
18	140-109	Base Valve Support			X		X	X									X	
19	5651-053	Base Valve 3/4"		X		X	X	X									X	
19	5651-054	Base Valve 7/8"							X	X		X	X				X	
20	100-146	Right Side	X	X	X	X	X	X	X	X	X	X	X	X				
20	100-147	Right Side													X	X	X	
21	132-064	Control Panel Cover	X	X	X	X	X	X	X	X	X	X	X	X				
21	132-065	Control Panel Cover													X	X	X	
22	5651-051	Base Valve 3/8"		X		X		X	X		X	X		X	X		X	
23	5202-017	Accumulator													X	X	X	
24	5201-011	Drier	X	X	X	X	X	X										
24	5201-012	Drier							X	X	X	X	X	X	X	X	X	
25	8552-028	Capacitor 35/440V							X	X								
25	8552-030	Capacitor 40/440V										X	X					
25	8552-031	Capacitor 45/440V													X	X		
25	8552-032	Capacitor 35/370V	X	X	X	X												
25	8552-035	Capacitor 40/370V					X	X										
26	8401-002	Contacto						X				X			X		X	
26	8401-003	Contacto 1P30A													X	X		
26	8401-007	Contacto 1P25A	X	X	X	X	X		X	X		X	X					
27	8552-002	Capacitor 5/370V	X	X	X	X	X	X	X	X	X	X	X	X	X	X	X	
	4080-110	Wiring Diagram	X	X	X	X	X		X	X		X	X		X	X		
	4080-210	Wiring Diagram						X				X					X	
	5625-063	Restrictor w/.063" Orifice	X	X	X	X												
	5625-069	Restrictor w/.069" Orifice					X	X	X									
	5625-078	Restrictor w/.078" Orifice							X	X								
	5625-081	Restrictor w/.081" Orifice										X	X	X				
	5625-092	Restrictor w/.092" Orifice													X	X	X	

TABLE 8

COOLING

Air Temperature Entering Outdoor Coil Degree F

Model	Return Air Temperature	Pressure	°	°	°	°	°	°	°	°	°
			75	80	85	90	95	100	105	110	115
A18AQ-A, A18AS-A Rated CFM 750	75 deg. DB	Low Side	62	64	66	68	70	72	74	76	78
	62 deg. WB	High Side	149	164	179	194	209	224	239	254	269
	80 deg. DB	Low Side	66	68	70	73	75	77	80	82	84
	67 deg. WB	High Side	152	168	183	199	214	229	245	260	276
	85 deg. DB	Low Side	70	73	76	78	81	84	86	89	92
	72 deg. WB	High Side	159	175	190	206	221	236	252	267	283
A30AQ-A, A30AS-A Rated CFM 825	75 deg. DB	Low Side	69	71	73	75	77	79	81	83	85
	62 deg. WB	High Side	149	164	179	194	209	224	239	254	269
	80 deg. DB	Low Side	74	76	78	81	83	85	88	90	92
	67 deg. WB	High Side	152	168	183	199	214	229	245	260	276
	85 deg. DB	Low Side	80	82	84	87	89	91	94	96	98
	72 deg. WB	High Side	158	174	189	205	221	237	253	268	284
3HCQ1 Rated CFM 800	75 deg. DB	Low Side	68	70	72	75	77	79	82	84	86
	62 deg. WB	High Side	141	155	170	184	198	212	226	241	255
	80 deg. DB	Low Side	74	76	78	80	82	84	86	88	90
	67 deg. WB	High Side	144	159	174	188	203	218	232	247	261
	85 deg. DB	Low Side	80	82	84	86	88	90	92	94	96
	72 deg. WB	High Side	150	165	180	195	210	225	240	255	270
B24RHQ1 Rated CFM 785	75 deg. DB	Low Side	62	66	69	73	76	79	83	86	90
	62 deg. WB	High Side	164	180	195	211	227	243	259	274	290
	80 deg. DB	Low Side	67	71	74	78	81	84	88	91	95
	67 deg. WB	High Side	168	185	201	217	233	249	265	281	298
	85 deg. DB	Low Side	72	75	79	83	87	91	95	99	102
	72 deg. WB	High Side	175	191	208	224	241	258	274	291	307

Low side pressure \pm 2 PSIG (suction line @ outdoor unit quick connect)
High side pressure \pm 5 PSIG (liquid line @ outdoor unit quick connect)

Tables are based upon rated CFM (airflow) across the evaporator coil and should be found under section titled "Refrigerant Charge" elsewhere in manual. If there is any doubt as to correct operating charge being in the system, the charge should be removed, system evacuated, and recharged to serial plate instructions.

TABLE 9

COOLING

Air Temperature Entering Outdoor Coil Degree F

Model	Return Air Temperature	Pressure	°	°	°	°	°	°	°	°	°
			75	80	85	90	95	100	105	110	115
A30AQ-A, A30AS-A Rated CFM 1000	75 deg. DB	Low Side	66	68	70	72	74	75	78	80	82
	62 deg. WB	High Side	182	197	212	227	242	257	272	287	302
	80 deg. DB	Low Side	71	73	75	77	79	81	83	85	87
	67 deg. WB	High Side	186	202	217	233	248	263	279	294	310
	85 deg. DB	Low Side	77	79	81	83	85	87	89	91	93
	72 deg. WB	High Side	192	209	225	241	257	273	289	305	322
3HCQ1 Rated CFM 1000	75 deg. DB	Low Side	66	68	70	72	74	76	78	80	82
	62 deg. WB	High Side	174	190	205	221	236	251	267	282	298
	80 deg. DB	Low Side	71	73	75	77	79	81	83	85	87
	67 deg. WB	High Side	179	195	210	226	242	258	274	289	305
	85 deg. DB	Low Side	77	79	81	83	85	87	89	91	93
	72 deg. WB	High Side	185	202	218	234	250	266	282	298	315
B36EHQ1 Rated CFM 1025	75 deg. DB	Low Side	65	67	69	71	73	75	77	79	81
	62 deg. WB	High Side	175	189	204	218	233	248	262	277	291
	80 deg. DB	Low Side	70	72	74	76	78	80	82	84	86
	67 deg. WB	High Side	179	194	209	224	239	254	269	284	299
	85 deg. DB	Low Side	73	76	79	81	84	87	89	92	95
	72 deg. WB	High Side	185	201	216	231	247	262	278	293	309

Low side pressure \pm 2 PSIG (suction line @ outdoor unit quick connect)
High side pressure \pm 5 PSIG (liquid line @ outdoor unit quick connect)

Tables are based upon rated CFM (airflow) across the evaporator coil and should be found under section titled "Refrigerant Charge" elsewhere in manual. If there is any doubt as to correct operating charge being in the system, the charge should be removed, system evacuated, and recharged to serial plate instructions.

TABLE 10

COOLING

Air Temperature Entering Outdoor Coil Degree F

Model	Return Air Temperature	Pressure	°	°	°	°	°	°	°	°	°
			75	80	85	90	95	100	105	110	115
A30AQ-A, A30AS-A Rated CFM 1125	75 deg. DB	Low Side	59	61	63	66	68	70	73	75	77
	62 deg. WB	High Side	176	190	203	217	230	243	257	270	284
	80 deg. DB	Low Side	62	65	68	70	73	76	78	81	84
	67 deg. WB	High Side	181	194	208	222	236	250	264	278	291
	85 deg. DB	Low Side	67	70	73	75	78	81	83	86	89
	72 deg. WB	High Side	187	201	216	230	244	258	272	287	301
A36AQ-A, A36AS-A Rated CFM 1200	75 deg. DB	Low Side	64	66	68	71	73	75	78	80	82
	62 deg. WB	High Side	177	194	210	226	242	258	274	290	307
	80 deg. DB	Low Side	69	71	73	76	78	80	83	85	87
	67 deg. WB	High Side	183	200	216	232	248	264	280	296	313
	85 deg. DB	Low Side	73	76	79	81	84	87	89	92	95
	72 deg. WB	High Side	190	206	223	239	256	273	289	306	322
A42AQ-A, A42AS-A Rated CFM 1380	75 deg. DB	Low Side	63	66	69	71	74	77	79	82	85
	62 deg. WB	High Side	193	206	219	231	244	257	269	282	295
	80 deg. DB	Low Side	68	71	74	76	79	82	84	87	90
	67 deg. WB	High Side	198	211	224	237	250	263	276	289	302
	85 deg. DB	Low Side	73	76	79	82	85	88	91	94	97
	72 deg. WB	High Side	206	219	232	245	258	271	284	297	310
A48AQ-A, A48AS-A Rated CFM 1450	75 deg. DB	Low Side	69	71	73	76	78	80	83	85	87
	62 deg. WB	High Side	199	213	228	242	257	272	286	301	315
	80 deg. DB	Low Side	75	77	79	82	84	86	89	91	93
	67 deg. WB	High Side	204	219	234	249	264	279	294	309	324
	85 deg. DB	Low Side	81	83	85	88	90	92	95	97	99
	72 deg. WB	High Side	211	227	242	258	273	288	304	319	335
B36EHQ1 Rated CFM 1200	75 deg. DB	Low Side	58	61	64	66	69	72	74	77	80
	62 deg. WB	High Side	183	196	210	224	238	252	266	280	293
	80 deg. DB	Low Side	63	66	69	71	74	77	79	82	85
	67 deg. WB	High Side	187	201	216	230	244	258	272	287	301
	85 deg. DB	Low Side	68	71	74	77	80	83	86	89	92
	72 deg. WB	High Side	194	208	223	237	252	267	281	296	310
3HCQ1 Rated CFM 950	75 deg. DB	Low Side	55	58	61	63	66	69	71	74	77
	62 deg. WB	High Side	178	192	207	221	236	251	265	280	294
	80 deg. DB	Low Side	59	62	65	68	71	74	77	80	83
	67 deg. WB	High Side	182	197	212	227	242	257	272	287	302
	85 deg. DB	Low Side	64	67	70	73	76	79	82	85	88
	72 deg. WB	High Side	188	204	219	235	250	265	281	296	312
4HCQ Rated CFM 1300	75 deg. DB	Low Side	63	66	69	71	74	77	79	82	85
	62 deg. WB	High Side	194	206	218	230	242	254	266	278	290
	80 deg. DB	Low Side	68	71	74	76	79	82	84	87	90
	67 deg. WB	High Side	198	211	224	236	249	262	274	287	300
	85 deg. DB	Low Side	73	76	79	82	85	88	91	94	97
	72 deg. WB	High Side	206	219	232	244	257	270	282	295	308

Low side pressure + 2 PSIG (suction line @ outdoor unit quick connect)
High side pressure ± 5 PSIG (liquid line @ outdoor unit quick connect)

Tables are based upon rated CFM (airflow) across the evaporator coil and should be found under section titled "Refrigerant Charge" elsewhere in manual. If there is any doubt as to correct operating charge being in the system, the charge should be removed, system evacuated, and recharged to serial plate instructions.

42UACQA
42UACSA

TABLE 11

COOLING

Air Temperature Entering Outdoor Coil Degree F

Model	Return Air Temperature	Pressure	°	°	°	°	°	°	°	°	°
			75	80	85	90	95	100	105	110	115
A42AQ-A, A42AS-A Rated CFM 1325	75 deg. DB	Low Side	63	65	67	70	72	74	77	79	81
	62 deg. WB	High Side	169	185	200	216	232	248	264	279	295
	80 deg. DB	Low Side	68	70	72	75	77	79	82	84	86
	67 deg. WB	High Side	173	190	206	222	238	254	270	286	303
	85 deg. DB	Low Side	72	75	78	80	83	86	88	91	94
	72 deg. WB	High Side	180	196	213	229	246	263	279	296	312
A48AQ-A, A48AS-A Rated CFM 1525	75 deg. DB	Low Side	67	69	71	74	76	78	81	83	85
	62 deg. WB	High Side	184	199	214	229	244	259	274	289	304
	80 deg. DB	Low Side	72	74	76	79	81	83	86	88	90
	67 deg. WB	High Side	188	204	219	235	250	265	281	296	312
	85 deg. DB	Low Side	78	80	82	85	87	89	91	94	96
	72 deg. WB	High Side	194	211	226	243	259	275	291	307	324
4HCQ Rated CFM 1200	75 deg. DB	Low Side	62	65	68	70	73	76	78	81	84
	62 deg. WB	High Side	187	204	220	234	252	268	284	300	317
	80 deg. DB	Low Side	67	70	73	75	78	81	83	86	89
	67 deg. WB	High Side	191	208	225	242	259	276	293	310	327
	85 deg. DB	Low Side	72	75	78	81	84	87	90	93	96
	72 deg. WB	High Side	197	215	233	250	268	286	303	321	339
5HCQ Rated CFM 1500	75 deg. DB	Low Side	68	70	72	74	76	78	80	82	84
	62 deg. WB	High Side	172	188	203	219	234	249	265	280	296
	80 deg. DB	Low Side	73	75	77	79	81	83	85	87	89
	67 deg. WB	High Side	177	193	208	224	240	256	272	287	303
	85 deg. DB	Low Side	79	81	83	85	87	89	91	93	95
	72 deg. WB	High Side	183	200	216	232	248	264	280	296	313
BC48A Rated CFM 1525	75 deg. DB	Low Side	66	68	70	73	75	77	80	82	84
	62 deg. WB	High Side	171	187	202	218	234	250	266	281	297
	80 deg. DB	Low Side	71	73	75	78	80	82	85	87	89
	67 deg. WB	High Side	175	192	208	224	240	256	272	288	305
	85 deg. DB	Low Side	77	79	81	84	86	88	91	93	95
	72 deg. WB	High Side	182	198	215	231	248	265	281	298	314
BC60A Rated CFM 1640	75 deg. DB	Low Side	70	72	74	76	78	80	82	84	86
	62 deg. WB	High Side	171	187	202	218	234	250	266	281	297
	80 deg. DB	Low Side	75	77	79	82	84	86	89	91	93
	67 deg. WB	High Side	175	192	208	224	240	256	272	288	305
	85 deg. DB	Low Side	81	83	85	88	90	92	95	97	99
	72 deg. WB	High Side	182	198	215	231	248	265	281	298	314

Low side pressure \pm 2 PSIG (suction line @ outdoor unit quick connect)
High side pressure \pm 5 PSIG (liquid line @ outdoor unit quick connect)

Tables are based upon rated CFM (airflow) across the evaporator coil and should be found under section titled "Refrigerant Charge" elsewhere in manual. If there is any doubt as to correct operating charge being in the system, the charge should be removed, system evacuated, and recharged to serial plate instructions.

TABLE 12

COOLING

Air Temperature Entering Outdoor Coil Degree F

Model	Return Air Temperature	Pressure	°	°	°	°	°	°	°	°	°
			75	80	85	90	95	100	105	110	115
A42AQ-A, A42AS-A Rated CFM 1325	75 deg. DB	Low Side	60	63	66	68	71	74	76	79	82
	62 deg. WB	High Side	172	188	205	221	238	255	271	288	304
	80 deg. DB	Low Side	65	68	71	73	76	79	81	84	87
	67 deg. WB	High Side	176	193	210	227	244	261	278	295	312
	85 deg. DB	Low Side	70	73	76	79	82	85	88	91	94
	72 deg. WB	High Side	183	200	217	235	252	269	287	304	321
A48AQ-A, A48AS-A Rated CFM 1525	75 deg. DB	Low Side	67	69	71	73	75	77	79	81	83
	62 deg. WB	High Side	186	202	217	233	248	263	279	294	310
	80 deg. DB	Low Side	72	74	76	78	80	82	84	86	88
	67 deg. WB	High Side	190	207	223	239	255	271	287	303	320
	85 deg. DB	Low Side	77	79	81	84	86	88	91	93	95
	72 deg. WB	High Side	196	213	230	247	264	281	298	315	332
4HCQ Rated CFM 1300	75 deg. DB	Low Side	60	63	66	68	71	74	76	79	82
	62 deg. WB	High Side	193	210	227	244	261	278	295	312	329
	80 deg. DB	Low Side	65	68	71	73	76	79	81	84	87
	67 deg. WB	High Side	199	216	233	251	268	285	303	320	337
	85 deg. DB	Low Side	70	73	76	78	81	84	86	89	92
	72 deg. WB	High Side	205	223	241	259	277	295	313	331	349
5HCQ Rated CFM 1375	75 deg. DB	Low Side	64	66	68	70	72	74	76	78	80
	62 deg. WB	High Side	175	191	206	222	237	252	268	283	299
	80 deg. DB	Low Side	69	71	73	75	77	79	81	83	85
	67 deg. WB	High Side	180	196	211	227	243	259	275	290	306
	85 deg. DB	Low Side	74	76	78	81	83	85	88	90	92
	72 deg. WB	High Side	186	202	219	235	252	269	285	302	318
BC48A Rated CFM 1700	75 deg. DB	Low Side	64	66	68	71	73	75	78	80	82
	62 deg. WB	High Side	174	191	207	223	239	255	271	287	304
	80 deg. DB	Low Side	68	71	74	76	79	82	84	87	90
	67 deg. WB	High Side	180	196	213	229	246	263	279	296	312
	85 deg. DB	Low Side	73	76	79	82	85	88	91	94	97
	72 deg. WB	High Side	186	203	220	238	255	272	290	307	324
BC60A Rated CFM 1750	75 deg. DB	Low Side	68	70	72	75	77	79	82	84	86
	62 deg. WB	High Side	179	195	210	226	242	258	274	289	305
	80 deg. DB	Low Side	73	75	77	80	82	84	87	89	91
	67 deg. WB	High Side	185	201	216	232	248	264	280	295	311
	85 deg. DB	Low Side	79	81	83	86	88	90	93	95	97
	72 deg. WB	High Side	191	207	224	240	257	274	290	307	323

Low side pressure + 2 PSIG (suction line @ outdoor unit quick connect)
High side pressure + 5 PSIG (liquid line @ outdoor unit quick connect)

Tables are based upon rated CFM (airflow) across the evaporator coil and should be found under section titled "Refrigerant Charge" elsewhere in manual. If there is any doubt as to correct operating charge being in the system, the charge should be removed, system evacuated, and recharged to serial plate instructions.

TABLE 13

COOLING

Air Temperature Entering Outdoor Coil Degree F

Model	Return Air Temperature	Pressure	°	°	°	°	°	°	°	°	°
			75	80	85	90	95	100	105	110	115
A48AQ-A, A48AS-A Rated CFM 1500	75 deg. DB	Low Side	61	62	64	65	67	69	70	72	73
	62 deg. WB	High Side	168	182	197	210	225	239	253	268	282
	80 deg. DB	Low Side	66	67	69	70	72	74	75	77	78
	67 deg. WB	High Side	173	187	202	216	231	246	260	275	289
	85 deg. DB	Low Side	71	72	74	75	77	79	80	82	83
	72 deg. WB	High Side	177	193	208	234	239	254	270	285	301
A60AQ-A, A60AS-A Rated CFM 1900	75 deg. DB	Low Side	64	66	68	71	73	75	78	80	82
	62 deg. WB	High Side	173	188	203	218	233	248	263	278	293
	80 deg. DB	Low Side	69	71	73	76	78	80	83	85	87
	67 deg. WB	High Side	177	193	208	224	239	254	270	285	301
	85 deg. DB	Low Side	73	76	79	81	84	87	89	92	95
	72 deg. WB	High Side	184	200	215	231	247	263	279	294	310
5BCQ Rated CFM 1600	75 deg. DB	Low Side	58	60	62	65	67	69	72	74	76
	62 deg. WB	High Side	179	195	210	226	242	258	274	289	305
	80 deg. DB	Low Side	61	64	67	69	72	75	77	80	83
	67 deg. WB	High Side	183	200	216	232	248	264	280	296	313
	85 deg. DB	Low Side	66	69	72	74	77	80	82	85	88
	72 deg. WB	High Side	189	206	223	240	257	274	291	308	325
BC48A Rated CFM 1625	75 deg. DB	Low Side	58	62	64	67	69	71	74	76	78
	62 deg. WB	High Side	184	200	217	233	250	267	283	300	316
	80 deg. DB	Low Side	65	67	69	72	74	76	79	81	83
	67 deg. WB	High Side	188	205	222	239	256	273	290	307	324
	85 deg. DB	Low Side	69	72	75	77	80	83	85	88	91
	72 deg. WB	High Side	194	212	230	247	265	283	300	318	336
BC60A Rated CFM 1800	75 deg. DB	Low Side	61	64	67	69	72	75	77	80	83
	62 deg. WB	High Side	185	201	216	232	247	262	278	293	309
	80 deg. DB	Low Side	66	69	72	74	77	80	82	85	88
	67 deg. WB	High Side	189	206	222	238	254	270	286	302	319
	85 deg. DB	Low Side	71	74	77	80	83	86	89	92	95
	72 deg. WB	High Side	195	212	229	246	263	280	297	314	331

Low side pressure \pm 2 PSIG (suction line @ outdoor unit quick connect)
High side pressure \pm 5 PSIG (liquid line @ outdoor unit quick connect)

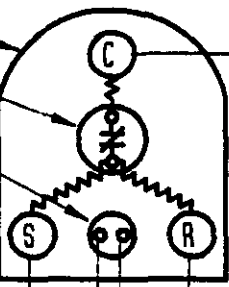
Tables are based upon rated CFM (airflow) across the evaporator coil and should be found under section titled "Refrigerant Charge" elsewhere in manual. If there is any doubt as to correct operating charge being in the system, the charge should be removed, system evacuated, and recharged to serial plate instructions.

COMPRESSOR

INTERNAL OVERLOAD

IMMERSTION CRANKCASE HEATER

CAPACITOR
5 / 370



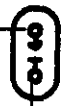
NOM. TONS	COMP. MFF/V
5	45 / 440
4	40 / 440
3 1/2	35 / 440
3	40 / 370
2 1/2	35 / 370
2	35 / 370
CAPACITOR	



BLACK

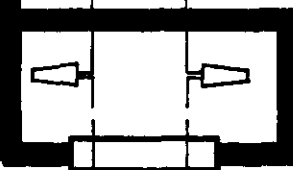
YELLOW

BROWN



COMPRESSOR CONTACTOR

EQUIP. GROUND



USE COPPER CONDUCTORS ONLY

FUSED DISCONNECT SWITCH

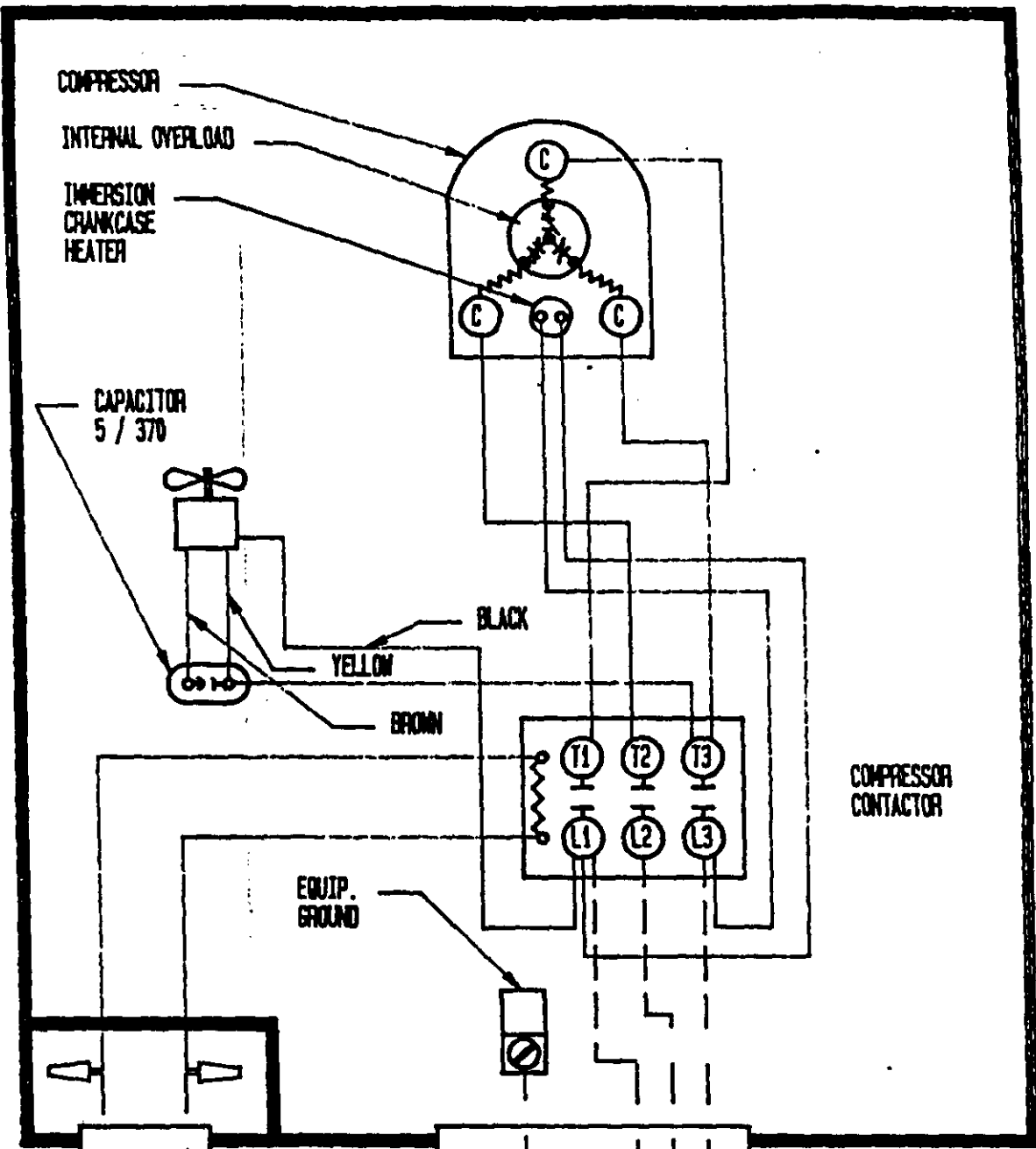
USE MINIMUM TRANSFORMER RATING OF 20 VA

FIELD WIRING

FACTORY WIRING

230 / 208-60-1

4080-1108



COMPRESSOR
INTERNAL OVERLOAD
IMMERSION
CRANKCASE
HEATER

CAPACITOR
5 / 370

BLACK

YELLOW

BROWN

EQUIP.
GROUND

COMPRESSOR
CONTACTOR

USE COPPER CONDUCTORS ONLY

FUSED
DISCONNECT
SWITCH

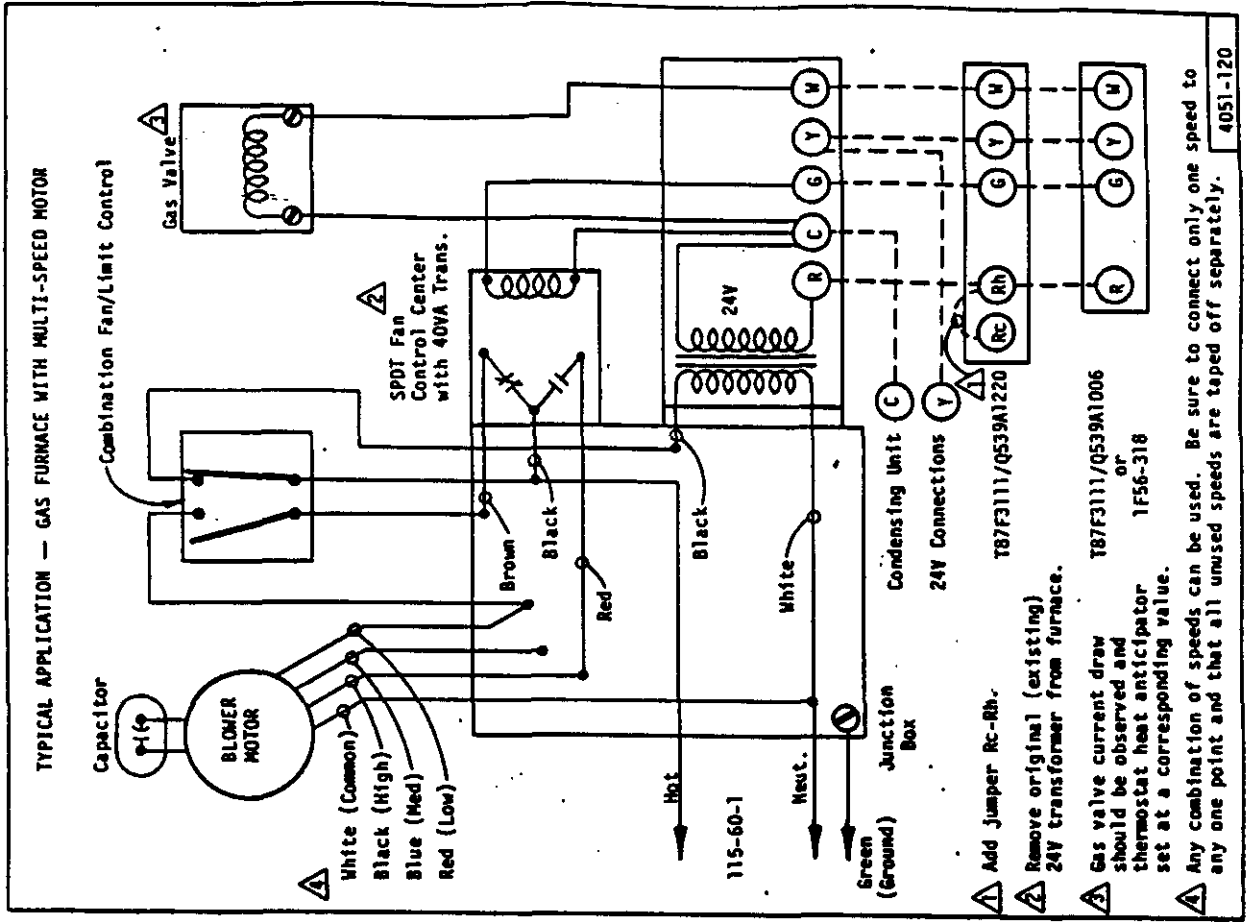
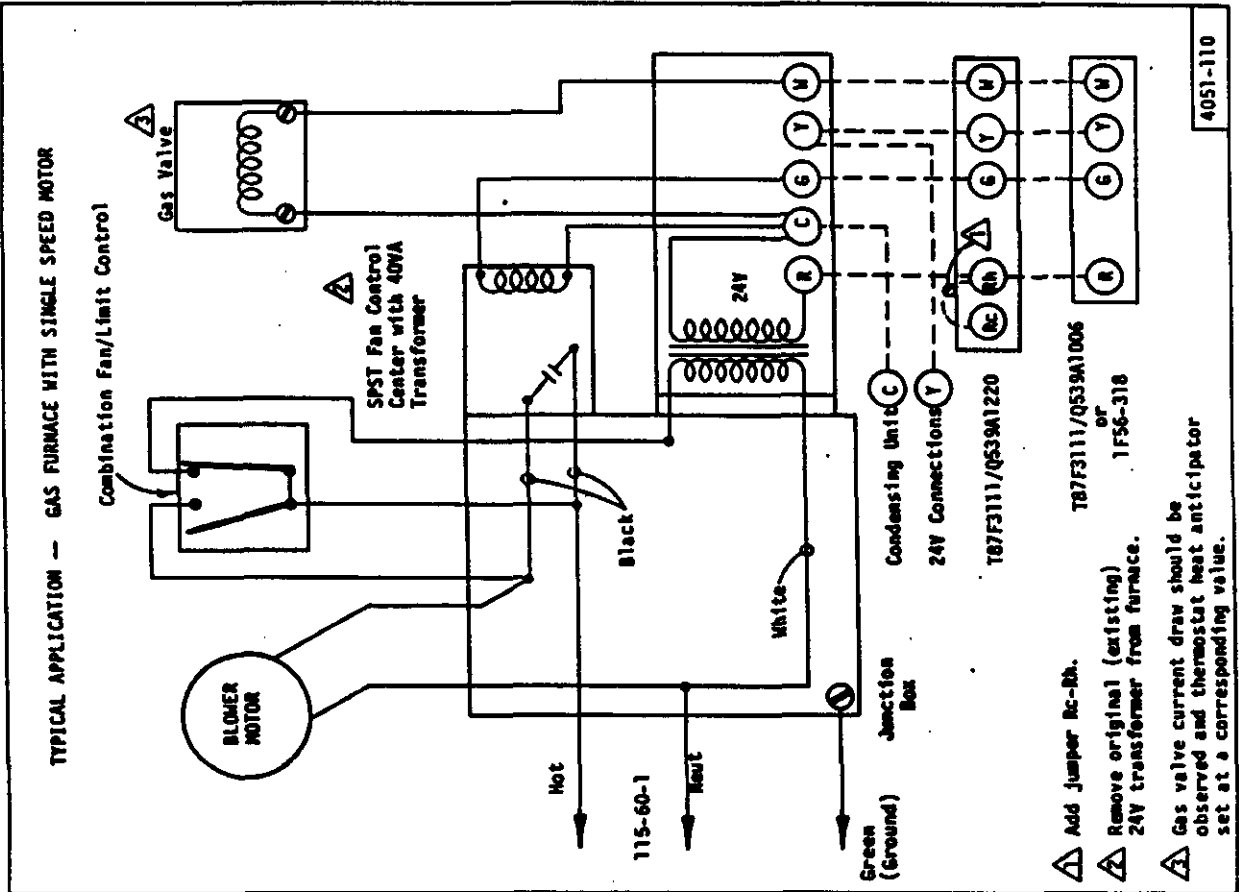
USE MINIMUM
TRANSFORMER
RATING OF
30 VA

FIELD WIRING

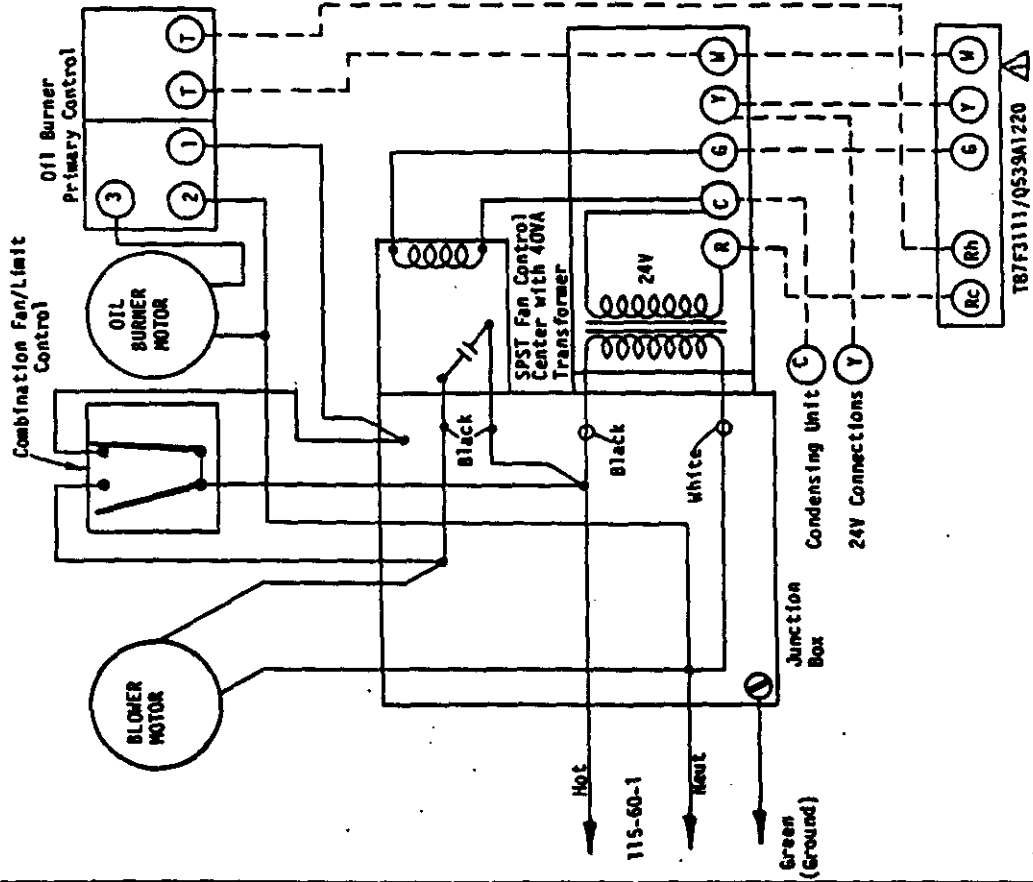
FACTORY WIRING

230 / 208-60-3

4080-210 A



TYPICAL APPLICATION — OIL FURNACE



1 Set heat anticipator to match current draw of oil burner primary control.