

INSTALLATION INSTRUCTIONS

MODELS

24UAC1S, Q-A

30UAC1S, Q-A

36UAC1S, Q-A

36UAC3S-A

42UAC1S, Q-A

42UAC3S-A

48UAC1S, Q-A

48UAC3S-A

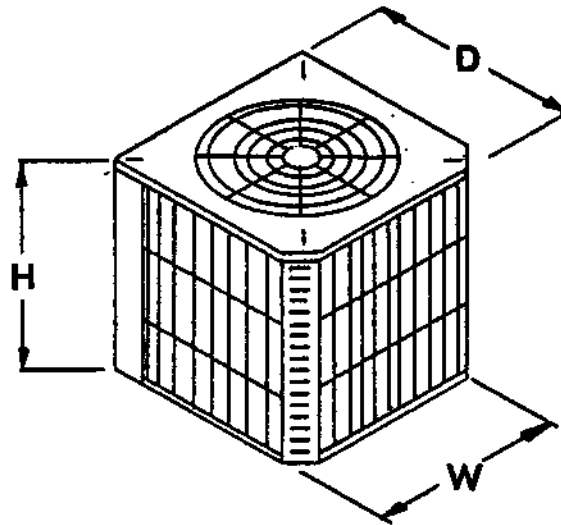
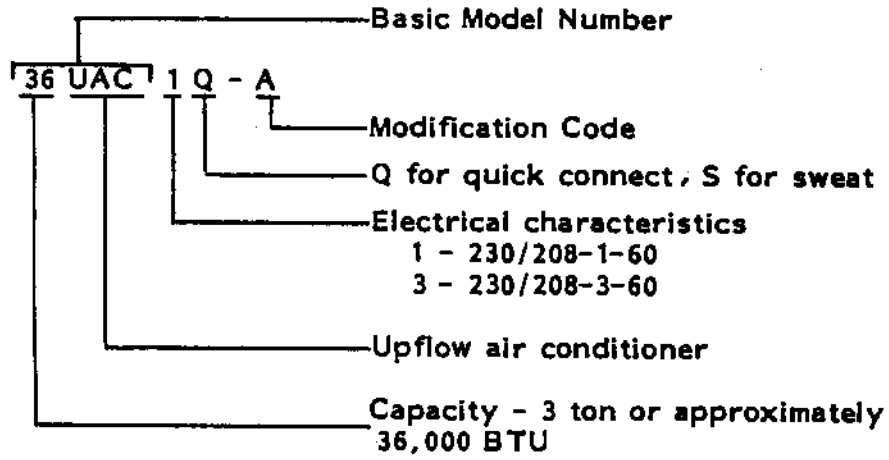
60UAC1S, Q-A

60UAC3S-A

SPLIT AIR CONDITIONER
OUTDOOR SECTION

FOR USE WITH:
MATCHING INDOOR BLOWER
COIL UNITS AND MATCHING
ADD ON COIL UNITS ONLY

NOMENCLATURE EXPLANATION - Example:



DIMENSIONS			
Basic Model No.	"W" Width	"D" Depth	"H" Height
24UAC	32-1/2"	32-1/2"	26"
30UAC			
36UAC			
42UAC			
48UAC			
60UAC			36"

RATED CFM AND AIR FLOW DATA (Wet Coil - Cooling)

Condensing Unit Model Number	Evaporator Coil Model Number	Rated Airflow		Rated E.S.P. ②	Motor Speed Tap	Recommended Air Flow Range
		CFM	Pressure Drop "H ₂ O ①			
24UAC1Q-A 24UAC1S-A	A18AQ-A A18AS-A	750	.20			640 - 825
	A30AQ-A A30AS-A	825	.15			700 - 910
	B36EQ1	785		.20	High	670 - 860
30UAC1Q-A 30UAC1S-A	A30AQ-A A30AS-A	1000	.20			850 - 1100
	B36EQ1	1025		.40	Low	870 - 1300
36UAC1Q-A 36UAC1S-A 36UAC3S-A	A30AQ-A A30AS-A	1125	.30			950 - 1240
	A36AQ-A A36AS-A	1200	.30			1020 - 1320
	A42AQ-A A42AS-A	1380	.30			1170 - 1520
	A48AQ-A A48AS-A	1450	.27			1230 - 1600
	B36EQ1	1200		.30	High	1020 - 1320
42UAC1Q-A 42UAC1S-A 42UAC3S-A	A42AQ-A A42AS-A	1325	.30			1125 - 1450
	A48AQ-A A48AS-A	1525	.30			1300 - 1675
	BC48A	1525		.20	Low	1300 - 1675
	BC60A	1640		.40	High	1400 - 1800
48UAC1Q-A 48UAC1S-A 48UAC3S-A	A42AQ-A A42AS-A	1325	.30			1125 - 1450
	A48AQ-A A48AS-A	1525	.30			1300 - 1675
	BC48A	1700		.30	High	1450 - 1875
	BC60A	1750		.30	High	1485 - 1925
60UAC1Q-A 60UAC1S-A 60UAC3S-A	A48AQ-A A48AS-A	1500	.30			1275 - 1650
	A60AQ-A A60AS-A	1900	.30			1615 - 2100
	BC48A	1700		.30	High	1450 - 1875
	BC60A	1800		.20	High	1525 - 1975
	SHCQ	1600	.30			1360 - 1760

① Measured across the evaporator coil assembly, including drain pan.

② External static pressure available for the duct system - supply and return. All blower coils have multi-speed motors, and value shown is at the recommended rated speed. Consult specification air flow charts with the blower coil units for complete information at other speeds.

APPLICATION AND INSTALLATION INSTRUCTIONS

GENERAL

These instructions explain the recommended method to install the air cooled remote type condensing unit, the inter-connecting refrigerant tubing and the electrical wiring connections to the unit.

The condensing units are to be used in conjunction with the matching evaporator coils or evaporator blower units for comfort cooling applications as shown in the specification sheet.

These instructions and any instructions packaged with any separate equipment required to make up the entire air conditioning system should be carefully read before beginning the installation. Note particularly "Connecting Quick-Connect Couplings, Starting Procedure" and any tags and/or labels attached to the equipment.

While these instructions are intended as a general recommended guide, they do not supersede any national and/or local codes in any way. Authorities having jurisdiction should be consulted before the installation is made.

SHIPPING DAMAGE

Upon receipt of equipment, the carton should be checked for external signs of shipping damage. If damage is found, the receiving party must contact the last carrier immediately, preferably in writing, requesting inspection by the carrier's agent.

INSTALLATION

Size of unit for a proposed installation should be based on heat loss calculation made according to methods of National Warm Air Heating and Air Conditioning Association. The air duct should be installed in accordance with the Standards of the National Fire Protection Association for the Installation of Air Conditioning and Ventilating Systems of Other Than Residence Type, NFPA No. 90A, and Residence Type Warm Air Heating and Air Conditioning Systems, NFPA No. 90B. Where local regulations are at a variance with instructions, installer should adhere to local codes.

LOCATION

The condensing unit is designed to be located outside with free and unobstructed condenser air inlet and discharge. It must also permit access for service and installation. Condenser

air enters the coil on three sides and discharges upward from the top. Refrigerant and electrical connections are made from the rear of the unit as shown in figure 1 with electrical service access on the right side. The unit can be installed with the rear of the unit "close to the wall", however, additional service clearance at the back of the unit would be desirable if practical for unit service. The compressor can be serviced through the top.

MOUNTING UNIT OUTSIDE ON SLAB

A solid level base or platform, capable to support the unit's weight, must be set at the outdoor unit predetermined location. The base should be at least two inches larger than the base dimensions of the unit and at least two inches higher than the surrounding grade level. The required unit minimum installed clearances must be maintained as called out in Figure 1 when locating and setting the base.

Remove the unit from its shipping carton and position the unit on the prepared base or platform.

Do not attach the unit or its base to the building structure to avoid the transmission of noise into the occupied area.

NOTE: These units employ internally sprung compressors; therefore, it is not necessary to remove or loosen the base mounting bolts on the compressor prior to operation.

Consideration should be given to the electrical and tubing connections when placing the unit to avoid unnecessary bends or length of material.

WIRING

All wiring must be installed in accordance with the National Electrical Code and local codes. Power supply voltage must conform to the voltage shown on the unit serial plate. A wiring diagram of the unit is attached to the inside of the electrical cover. The power supply shall be sized and fused according to the specifications supplied. A ground lug is supplied in the control compartment for equipment ground.

The control circuit is a 24 volt circuit. "Typical" wiring diagrams illustrating some of the various circuits which could be encountered can be found later in the manual.

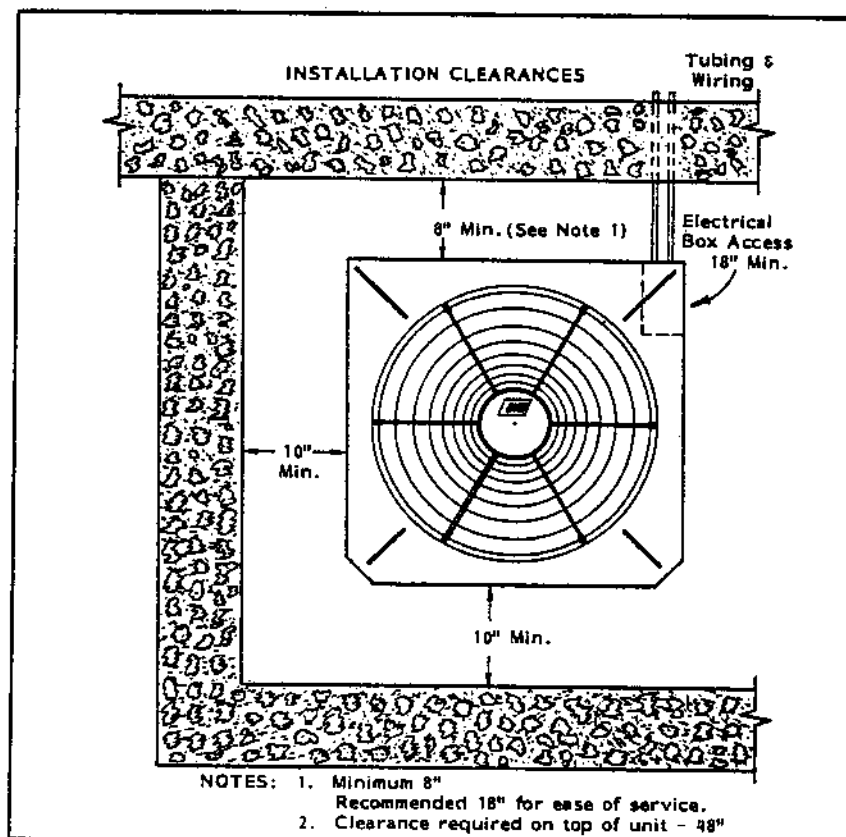


FIGURE 1.

The unit rating plate lists a "Maximum Time Delay Fuse" or "HACR Type" circuit breaker that is to be used with the equipment. The correct size must be used for proper circuit protection and also to assure that there will be no nuisance tripping due to the momentary high starting current of the compressor motor.

When matching with a B-model blower coil unit, refer to the installation instructions with that indoor unit for 24V wiring information.

PRESSURE SERVICE PORTS

High and low pressure service ports are installed on all units so that the system operating pressures can be observed. Pressure curves can be found later in the manual covering all models. It is imperative to match the correct pressure curve to the unit by model number.

The pressure service ports on the split system air conditioners are located on the inter-connecting tubing quick connect fittings or, on the base valves.

CRANKCASE HEATERS

All models have an insertion well-type heater located in the lower section of the compressor housing. This is a self-regulating type heater that draws only enough power to maintain the compressor at a safe temperature.

Crankcase heat is essential to prevent liquid refrigerant from migrating to the compressor, causing oil pump out on compressor start-up and possible valve failure due to compressing a liquid.

The following decal is affixed to all outdoor units detailing start-up procedure. This is very important. Please read carefully.

IMPORTANT

THESE PROCEDURES MUST BE FOLLOWED AT INITIAL START-UP AND AT ANY TIME POWER HAS BEEN REMOVED FOR 12 HOURS OR LONGER.

TO PREVENT COMPRESSOR DAMAGE WHICH MAY RESULT FROM THE PRESENCE OF LIQUID REFRIGERANT IN THE COMPRESSOR CRANKCASE.

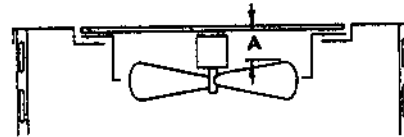
1. MAKE CERTAIN THE ROOM THERMOSTAT IS IN THE OFF POSITION (THE COMPRESSOR IS NOT TO OPERATE).
2. APPLY POWER BY CLOSING THE SYSTEM DISCONNECT SWITCH THIS ENERGIZES THE COMPRESSOR HEATER WHICH EVAPORATES THE LIQUID REFRIGERANT IN THE CRANKCASE.
3. ALLOW 4 HOURS OR 60 MINUTES HIGH PUMPING OF REFRIGERANT IN THE SYSTEM AS NOTED ON THE UNIT RATING PLATE WHICHEVER IS GREATER.
4. AFTER PROPERLY ELAPSED TIME THE THERMOSTAT MAY BE SET TO OPERATE THE COMPRESSOR.
5. EXCEPT AS REQUIRED FOR SAFETY WHILE SERVICING - DO NOT OPEN SYSTEM DISCONNECT SWITCH.

7-1011 10/11

FAN BLADE SETTING DIMENSIONS

Shown in the drawing below are the correct fan blade setting dimensions for proper air delivery across the outdoor coil.

Any service work requiring removal or adjustment in the fan and/or motor area will require that the dimensions below be checked and blade adjusted in or out on the motor shaft accordingly.



MODEL	DIMENSION A
24, 30, 36UAC	3-1/2
42, 48UAC	3-3/4
60UAC	4

IMPORTANT INSTALLER NOTE:

For improved start-up performance, wash the indoor coil with a dishwasher detergent.

INDOOR COIL

These units are designed to match with all indoor blower coils, horizontal coils and "A" coils shown earlier in these instructions. All blower and horizontal coils are produced with capillary tube type refrigerant control. All "A" coils shown are produced with an interchangeable brass orifice to provide optimum matching of the refrigerant control when matching alternate sized "A" coils to the outdoor unit. A properly sized orifice for each outdoor section is packaged with this unit. See installation instructions packaged with the "A" coils for complete details.

ELECTRICAL DATA											
MODEL	24UAC1*-A	30UAC1*-A	36UAC1*-A	36UAC3S-A	42UAC1*-A	42UAC3S-A	48UAC1*-A	48UAC3S-A	60UAC1*-A	60UAC3S-A	
ELECTRICAL RATING (60Hz/V/Ph)	230/208-1										
Operating Voltage Range	197-253										
Minimum Circuit Ampacity	15	19	22	15	27	18	29	19	39	23	
*Field Wire Size	#14	#12	#10	#14	#10	#12	#10	#12	#8	#10	
**Delay Fuse Max. or Ckt. Bkr.	25	35	40	25	50	30	50	35	60	40	
Total Unit AMPS 230/208	8.6/9.6	11.6/12.6	15.6/17.6	9.7/10.6	18/20.5	11/12.5	19.5/22	12.5/13.5	24.8/27.3	16.3/17.8	
COMPRESSOR											
Rated Load Amps 230/208	7.5/8.5	10.5/11.5	14.5/16.5	8.6/9.5	16.5/19	9.5/11	18/20.5	11/12	22.9/25	14/15.5	
Branch Ckt. Selection Current	9.3	14.1	16.5	10.8	20.2	12.9	21.5	13.8	28.9	16.4	
Lock Rotor Amps 230/208	50/50	66/66	75.8/75.8	65/65	93/93	79/79	95.4/95.4	82/82	138/138	103/103	
FAN MOTOR & CONDENSER											
Fan Motor - HP/RPM	1/6 - 825			1/4 - 825				1/3 - 1075			
Fan Motor -- AMPS	1.1			1.5				2.3			
Fan Motor - HP/RPM	1/6 - 825			1/4 - 825				1/3 - 1075			
Fan Motor -- AMPS	1.1			1.5				2.3			
**Maximum time delay fuse or HACR type circuit breaker. *Applies to sweat and quick connect type.											

TABLE 1

INSTALLING REFRIGERANT TUBING

(Applicable to "S" models)

Use only refrigeration grade (dehydrated and sealed) copper tubing of the size indicated below (Table 2). Care must be taken to insure that the tubing is kept clean and dry before and during installation. DO NOT remove the plugs from the tubing ends, coil connections or base valves until the connection is ready to be made.

Insulate the suction line with a minimum of 3/8" Armaflex or equivalent. Install the insulation to the suction line before cutting and making connections.

Basic Condensing Unit Model	REFRIGERANT LINE LENGTH (Ft.)		
	0-20	21-60	61-100
	Liq. & Suct.	Liq. & Suct.	Liq. & Suct.
24UAC	3/8 & 5/8	3/8 & 3/4	3/8 & 3/4
30UAC	3/8 & 5/8	3/8 & 3/4	3/8 & 3/4
36UAC	3/8 & 5/8	3/8 & 3/4	1/2 & 7/8
42UAC	3/8 & 3/4	3/8 & 7/8	1/2 & 7/8
48UAC	3/8 & 7/8	3/8 & 7/8	1/2 & 1-1/8
60UAC	3/8 & 7/8	3/8 & 7/8	1/2 & 1-1/8

TABLE 2

INSTALLING REFRIGERANT TUBING

(Pre-charged - applicable to "Q" models)

PRE-CHARGED TUBING - Examine carefully the two lengths of pre-charged tubing furnished with the unit. The larger is the suction line. The smaller is the liquid line. The end of the tubing with the hex nut and gauge port is to be attached to the condensing unit.

Unroll the tubing, being careful not to kink, and install it between the condensing unit and the evaporator coil.

CAUTION: Be careful not to tear the insulation when pushing it through holes in masonry or frame walls.

When sealing tube opening in house wall use a soft material to prevent tube damage and vibration transmission.

Before fastening either end, use a tubing bender to make any necessary bends in the tubing, **AVOID EXCESSIVE BENDING IN ANY ONE PLACE TO AVOID KINKING.**

Start connecting the tubing at the evaporator coil end, first remove the protective caps and plugs from the quick-connect fittings on the evaporator coil and the pre-charged tubing. Inspect fittings and clean if necessary, making sure they are clear of foreign materials. If you clean the fittings, lubricate them with refrigeration oil. Connect both tubes to the fittings on the coil and draw up by hand.

When necessary to bend the insulated tube, suction line, cut the insulation around its circumference at a distance far enough beyond the point of the bend so as to clear the tubing bender.

Slip the insulation back together and vapor seal the joint with tape.

NOTE: The maximum distance for pre-charge tubing between the condenser and the evaporator is 45 feet.

CAUTION: Prior to connecting the pre-charged tubing to the evaporator coil or condensing unit, be sure all bends have been made, then coil any excess tubing in a horizontal plane, with the slope of the tubing toward the condensing unit.

CAUTION: Be sure to hold the coupling firmly to prevent movement of the coupling and tubing. Failure to do so could tear out the diaphragm causing a blockage of the system.

CAUTION: After starting to tighten up the fitting never try to back it off or take it apart.

For connecting the tubing at the condensing unit end, first remove the protective caps and plugs from the quick-connect fittings on the condensing unit and the pre-charged tubing. Inspect fittings and clean if necessary, making sure they are clear of foreign materials. If you clean the fittings, lubricate them with refrigeration oil. Connect both tubes to the fittings on the coil and draw up by hand.

Locate the gauge port in a 45° angle from a vertical up position so as to be accessible for gauge connections.

Use a wrench on the hex nut of the female fitting backing up the fitting with another wrench to keep tube from turning. Tighten the fittings together until they bottom out then tighten for an additional 1/4 turn so that coupling will seat properly.

Check the gauge port cap to make sure it is tight. If loose, tighten, being careful not to tighten too much as it will damage the valve in the gauge port.

Leak test all connections using an Electronic Leak Detector or a Halide Torch.

When tubing is installed in attics or drop ceiling, insulate the quick connect fitting on the larger tube thoroughly with 3/8" wall thickness, closed cell sponge tube insulation or equivalent. Failure to insulate will result in water damage to ceiling since the fitting will "sweat" and drop water on the ceiling.

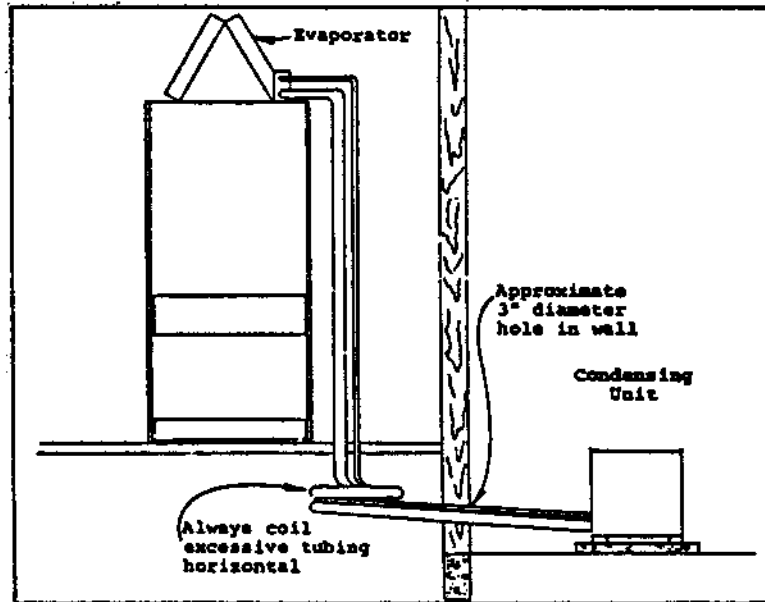


TABLE 3

CHARGED TUBING (For use with "Q" versions)					
MODEL NO.	Stub Tube*	15'	25'	35'	45'
20UAC1Q 30UAC1Q 36UAC1Q	CT0 ^a 3/8" & 3/4"	CT15A 3/8" & 5/8"	CT25A 3/8" & 3/4"	CT35 3/8" & 3/4"	CT45 3/8" & 3/4"
42UAC1Q 48UAC1Q 60UAC1Q	CT0-12 ^a 3/8" & 7/8"	CT15-12 3/8" & 7/8"	CT25-12 3/8" & 7/8"	CT35-12 3/8" & 7/8"	CT45-12 3/8" & 7/8"
*1/2 Stub Kit available, Order CT0-A or CT0-12A (For matching quick connect coils with sweat type outdoor units.)					

ADD-ON HEAT RECOVERY HOT WATER HEATER

NOTE: THIS SECTION APPLIES ONLY IF A WATER HEATING HEAT RECOVERY DEVICE IS ADDED.

GENERAL

This high efficiency air conditioner series was designed for easy field installation of a heat recovery device for hot water heating commonly known as a desuperheater water heater. The amount of annual hot water supplied and thus additional energy cost savings will depend on the amount of hot water your family uses and the number of hours your air conditioner operates.

We recommend that a U.L. Recognized heat recovery device be used.

INSTALLATION

1. Follow all local, state and national codes applicable to the installation of heat recovery devices.
2. Follow the installation procedures you receive with the heat recovery device.
3. Connect the refrigerant lines between the heat recovery device and the heat recovery valves in the air conditioner outdoor section. Keep dirt and moisture out of the inter-connecting tubing using good refrigeration service procedures. (See figure 2). Use refrigeration grade (type L) copper tubing. The tube diameter should be the same as the valve for lengths up to 15 feet each way. For lengths between 15 and 25 feet, increase the diameter 1/8". Avoid placing the heat recovery device over 25 feet from the air conditioner.

This tubing should be insulated with 1/2" of Armaflex insulation. Tubing should be protected from abrasion and damage.

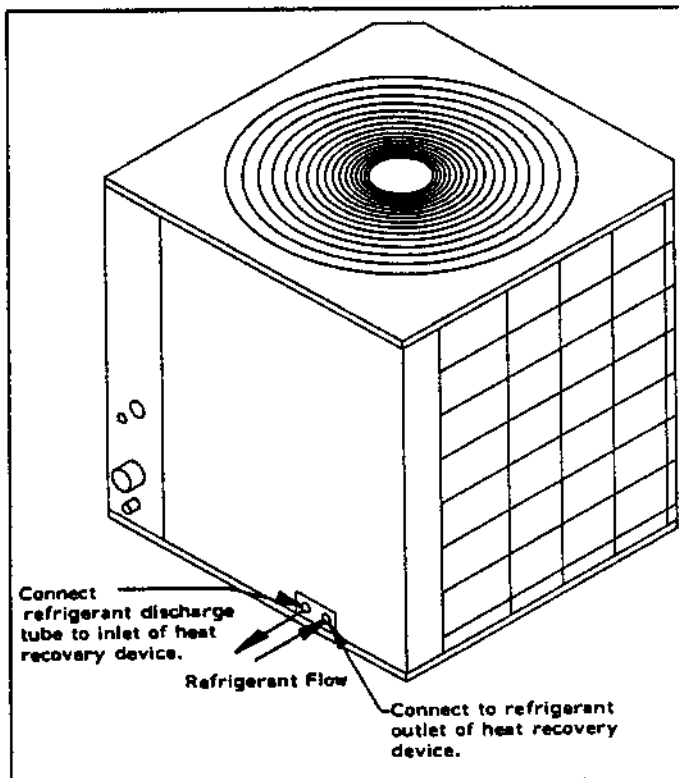


FIGURE 2

4. Evacuate the heat recovery device inter-connecting tubing and heat exchanger through the process service ports A or B shown in figure 3 and pressurize with Refrigerant 22 and perform a leak check. Release the charge used for pressurization, leak check and re-evacuate. Add 1 oz. of refrigerant for each 10 feet of additional inter-connecting tubing to the total system charge. Replace the caps and tighten.

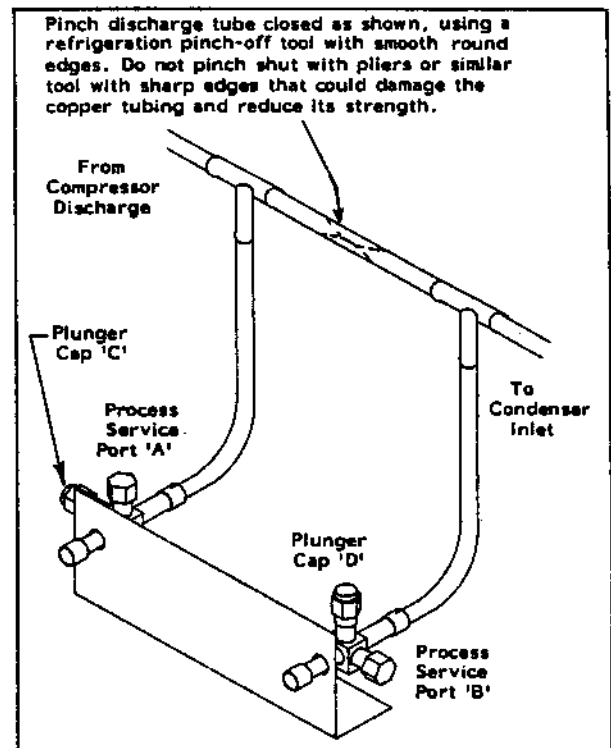


FIGURE 3

5. Tighten the plunger cap "C" and "D" shown in figure 3. This forces down a plunger which shears a frangible plug and moves it out of the refrigerant flow path. This now permits the discharge refrigerant from the compressor to flow through valve at plunger "C" (figure 3) to the heat recovery coil heat exchanger and back through the valve at plunger "D" and then to the condenser inlet.

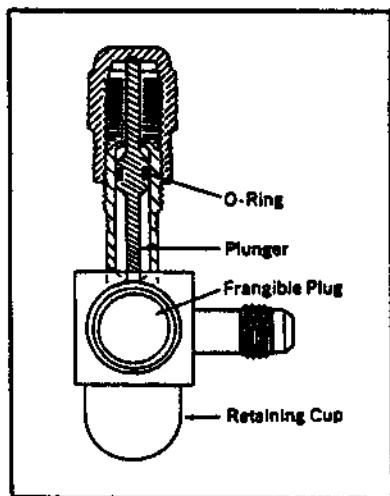
6. Wire the heat recovery device per the diagram supplied with the heat recovery unit. Turn power to the air conditioner off prior to wiring the heat recovery unit. DO NOT in any way alter any factory or safety circuits on the air conditioner.

START-UP, CHECK-OUT AND MAINTENANCE

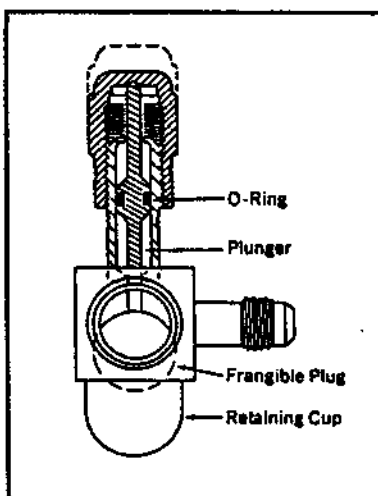
Follow the procedures supplied with the heat recovery unit.

AIR CONDITIONER SERVICE

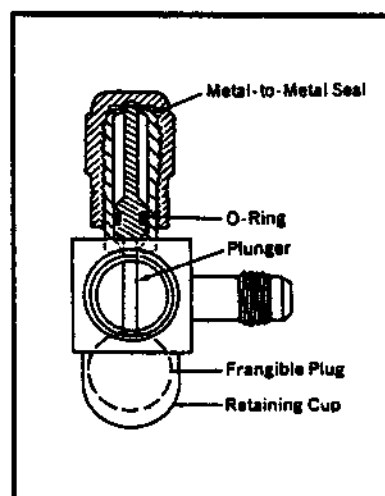
While performing any air conditioner service, disconnect the heat recovery unit for basic air conditioner service analysis as it could affect the refrigerant pressures and be misleading.



When the plunger cap is tightened, the plunger shears the frangible plug forcing it into the retaining cup. This opens the valve for flow.



The O-Ring seal on the plunger prevents leakage while the valve is being opened.



Tightening the plunger cap $\frac{1}{4}$ turn after it bottoms results in a metal-to-metal seal.

SYSTEM START-UP

The outdoor section of the air conditioner units are shipped with a factory R-22 charge sufficient for the nominal (size for size) matching "A" coil when used with 25' of inter-connecting tubing. The "Q" models utilize "quick connect" refrigerant connectors and the "S" models use base valves. The units are shipped with the base valves in the closed position to contain the refrigerant charge within the unit.

1. For "S" models, connect a vacuum pump to both base valve service ports.
2. Evacuate the tubing and evaporator to 500 microns or less for a minimum of 30 minutes. Close the valve to the pump and wait for 15 minutes. The vacuum should not rise above 800 microns. If it rises above 800 or if you are not able to obtain 500 micron vacuum, pressurize with R-22, leak check, repair any leaks and repeat step 2.
3. Close valve to the vacuum pump and disconnect. Break the vacuum by opening both the suction and liquid line base valves to the fully open position and connect service gauges for pressure check.
4. Close disconnect switch and set the thermostat to cool and the temperature to the highest setting.
5. Check for proper operation of the indoor fan and outdoor unit.
6. Check and adjust charge if necessary. Refer to charge checking section.

REFRIGERANT CHARGE CHECKING

1. After connecting the service gauges and allowing the unit to run for at least 10 minutes until pressures are stable, record the suction and discharge (liquid) pressure.
2. Install a thermometer on the suction line approximately 6" to 10" from the compressor on all models except the 60UAC models. On the 60UAC install the thermometer approximately 6" ahead of the suction line accumulator (between the accumulator and the indoor section).

3. Determine Superheat.

Refer to table 4 to determine the saturated suction temperature.

Suction line temperature (from step 2) _____

Minus saturated suction temperature - _____

Equals - Superheat _____

4. Measure outdoor temperature and return air dry bulb and wet bulb temperature and refer to table 5 to determine the proper superheat setting.
5. Adjust the charge to the proper superheat by adding charge to lower and removing charge to raise the superheat.
6. Check final system operating pressures by comparing to the pressure curves later in this manual.

SATURATED SUCTION TEMPERATURE (R-22)	
Suction Pressure PSIG	Saturated Suction Temperature (°F)
50	26
53	28
55	30
58	32
61	34
63	36
65	38
67	39
70	41
73	43
76	45
79	47
82	49
86	51

TABLE 4

SYSTEM SUPERHEAT				
Outdoor Ambient Temperature (°F Dry Bulb)	Return Air Temperature °F - Wet Bulb			
	59	63	67	71
105	1	1	5	
95	1	3	[8]	20
90	1	7	14	26
85	3	9	19	33
80	8	14	25	39
75	10	20	30	42

TABLE 5

TOTAL SYSTEM OPERATING CHARGE (Includes charge for the basic outdoor unit, indoor coil and 25' of inter-connecting tubing)		
Outdoor Section	Indoor Section	Total R-22 Charge (oz)
24UAC1*-A	A 18A*-A	78
	A 30A*-A	81
	B 24EHQ1	110
30UAC1*-A	A 30A*-A	88
	B 36EHQ1	85
36UAC1, 3*-A	A 30A*-A	86
	A 36A*-A	96
	A 42A*-A	99
	A 48A*-A	110
	B 36EHQ1	92
42UAC1, 3*-A	A 42A*-A	120
	A 48A*-A	132
	BC 48A	139
	BC 60A	146
48UAC1, 3*-A	A 42A*-A	153
	A 48A*-A	184
	BC 48A	174
	BC 60A	182
60UAC1*-A	A 48A*-A	208
	A 60A*-A	225
	BC 48A	287
	BC 60A	292
	5HCQ	264
60UAC3*-A	A 48A*-A	185
	A 60A*-A	202
	BC 48A	264
	BC 60A	269
	5HCQ	241

The above includes 25' of 3/8" diameter liquid line. For other than 25' and other tube sizes, adjust the total charge according to the following schedule.

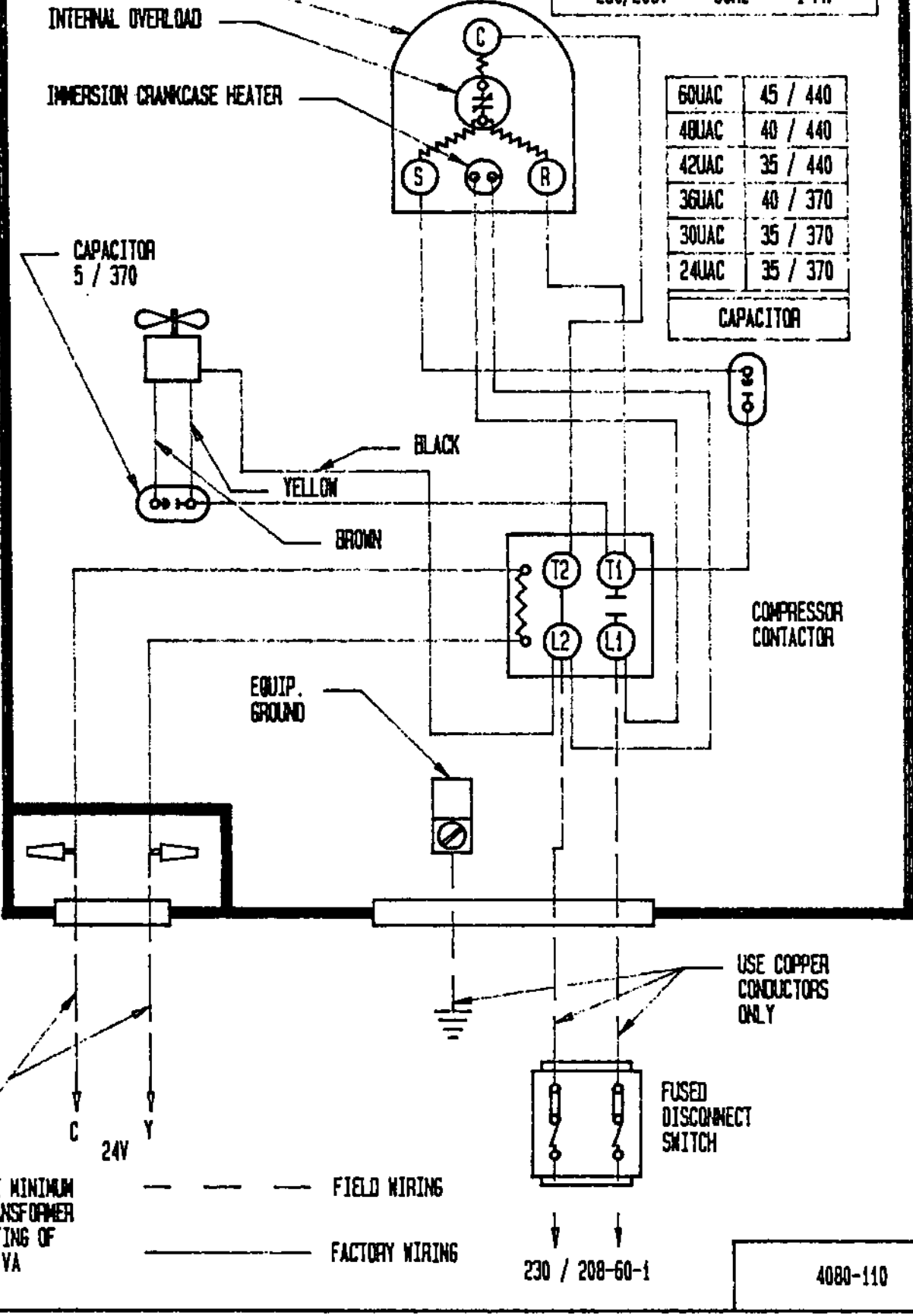
<u>Liquid Line Diameter</u>	<u>OZ, R-22 Per Ft.</u>
1/4"	.4
3/8"	.6
1/2"	1.2

INSTALLER NOTE: Stamp or mark the final system charge determined above on the outdoor unit serial plate.

SPLIT SYSTEM AIR CONDITIONERS
 24UAC, 30UAC, 36UAC, 42UAC, 48UAC, 60UAC
 230/208V 60Hz 1-Ph

COMPRESSOR
 INTERNAL OVERLOAD
 IMMERSION CRANKCASE HEATER

60UAC	45 / 440
48UAC	40 / 440
42UAC	35 / 440
36UAC	40 / 370
30UAC	35 / 370
24UAC	35 / 370
CAPACITOR	



USE MINIMUM
 TRANSFORMER
 RATING OF
 20 VA

----- FIELD WIRING
 _____ FACTORY WIRING

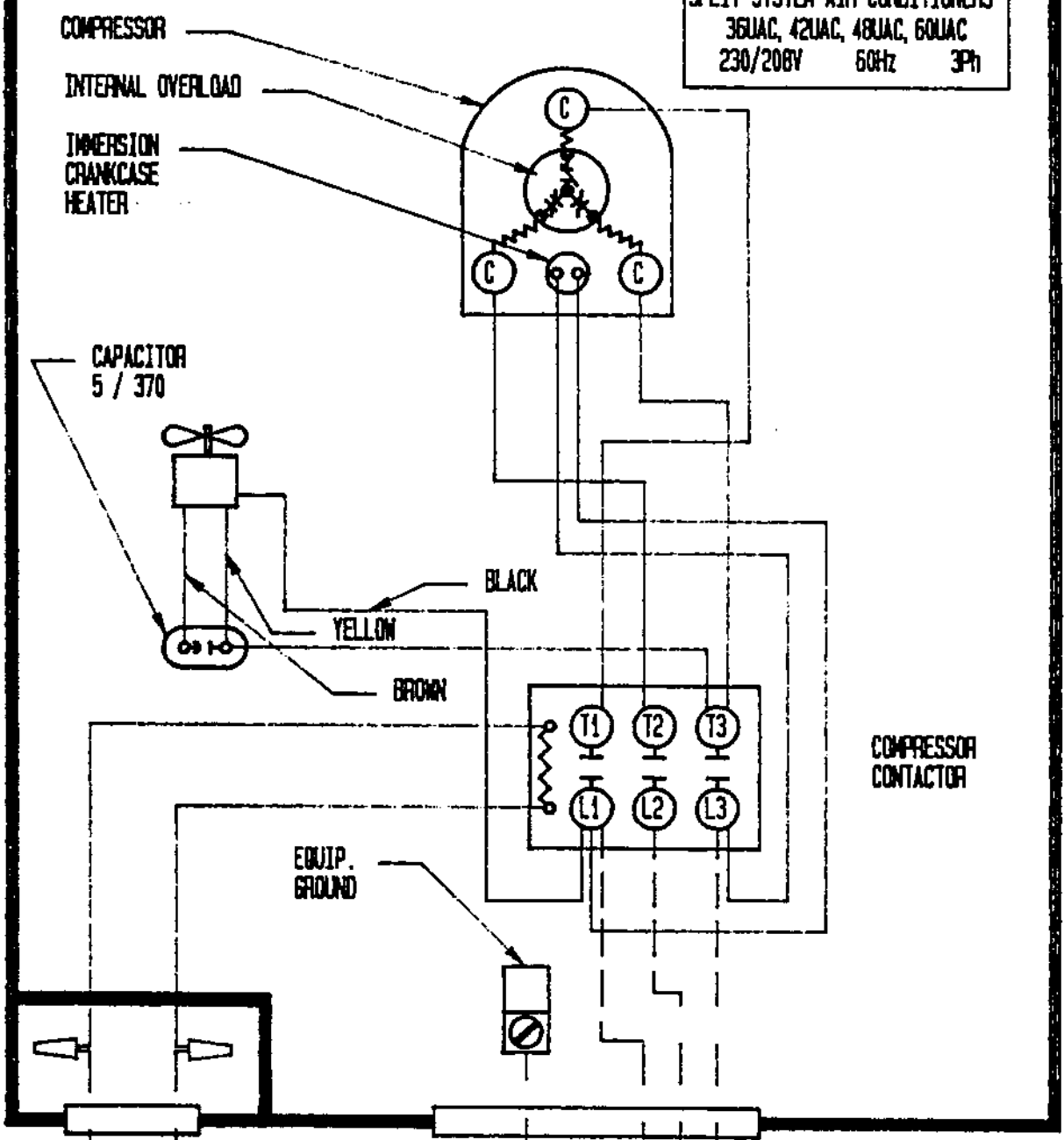
USE COPPER
 CONDUCTORS
 ONLY

FUSED
 DISCONNECT
 SWITCH

230 / 208-60-1

4080-110

SPLIT SYSTEM AIR CONDITIONERS
 36UAC, 42UAC, 48UAC, 60UAC
 230/208V 60Hz 3Ph

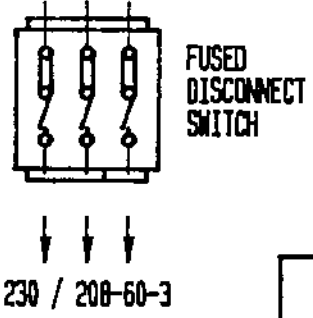


COMPRESSOR CONTACTOR

USE COPPER CONDUCTORS ONLY

USE MINIMUM TRANSFORMER RATING OF 30 VA

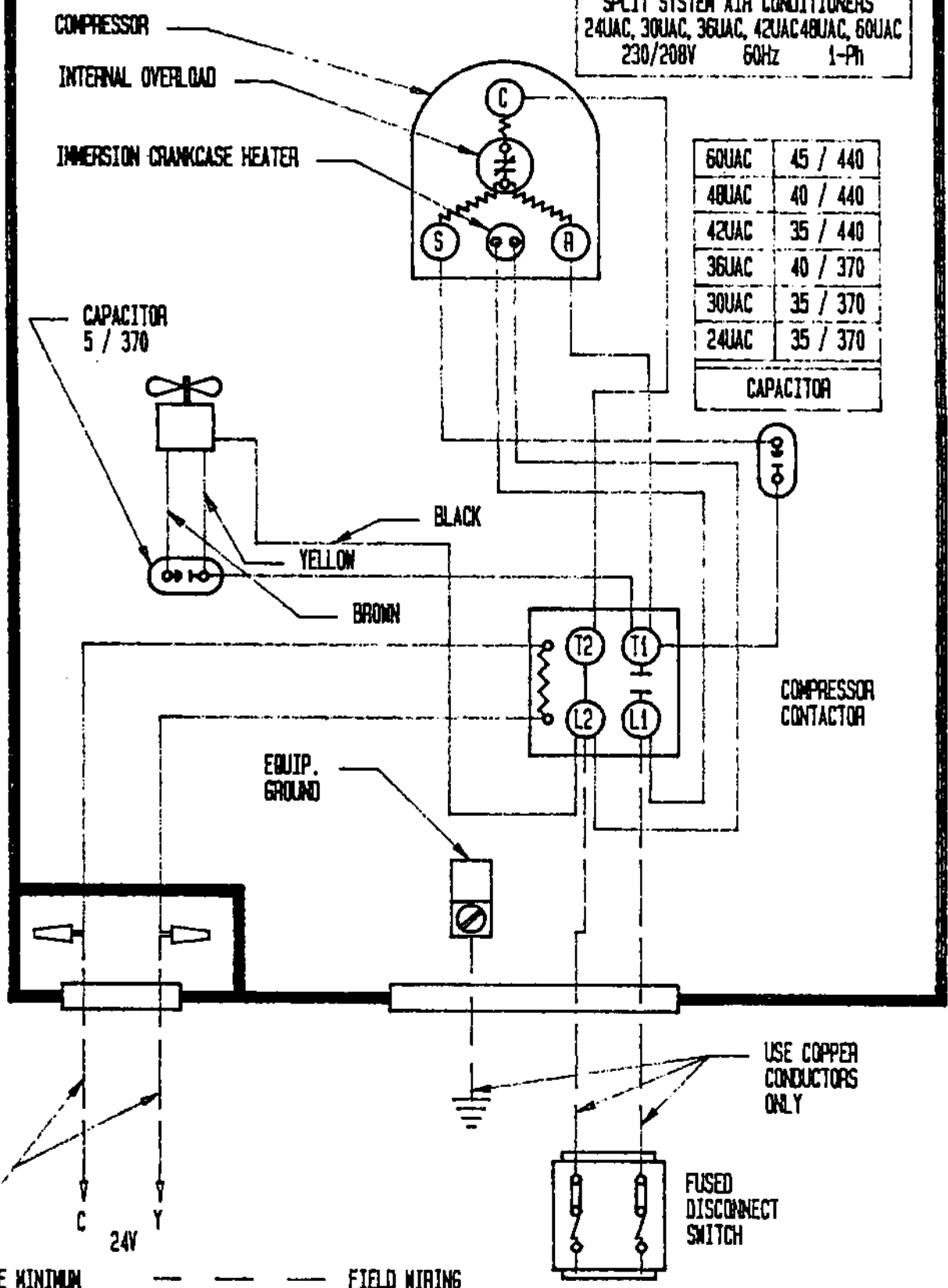
FIELD WIRING
 FACTORY WIRING



4080-210

SPLIT SYSTEM AIR CONDITIONERS
 24UAC, 30UAC, 36UAC, 42UAC, 48UAC, 60UAC
 230/208V 60Hz 1-Ph

60UAC	45 / 440
48UAC	40 / 440
42UAC	35 / 440
36UAC	40 / 370
30UAC	35 / 370
24UAC	35 / 370
CAPACITOR	



USE MINIMUM
 TRANSFORMER
 RATING OF
 20 VA

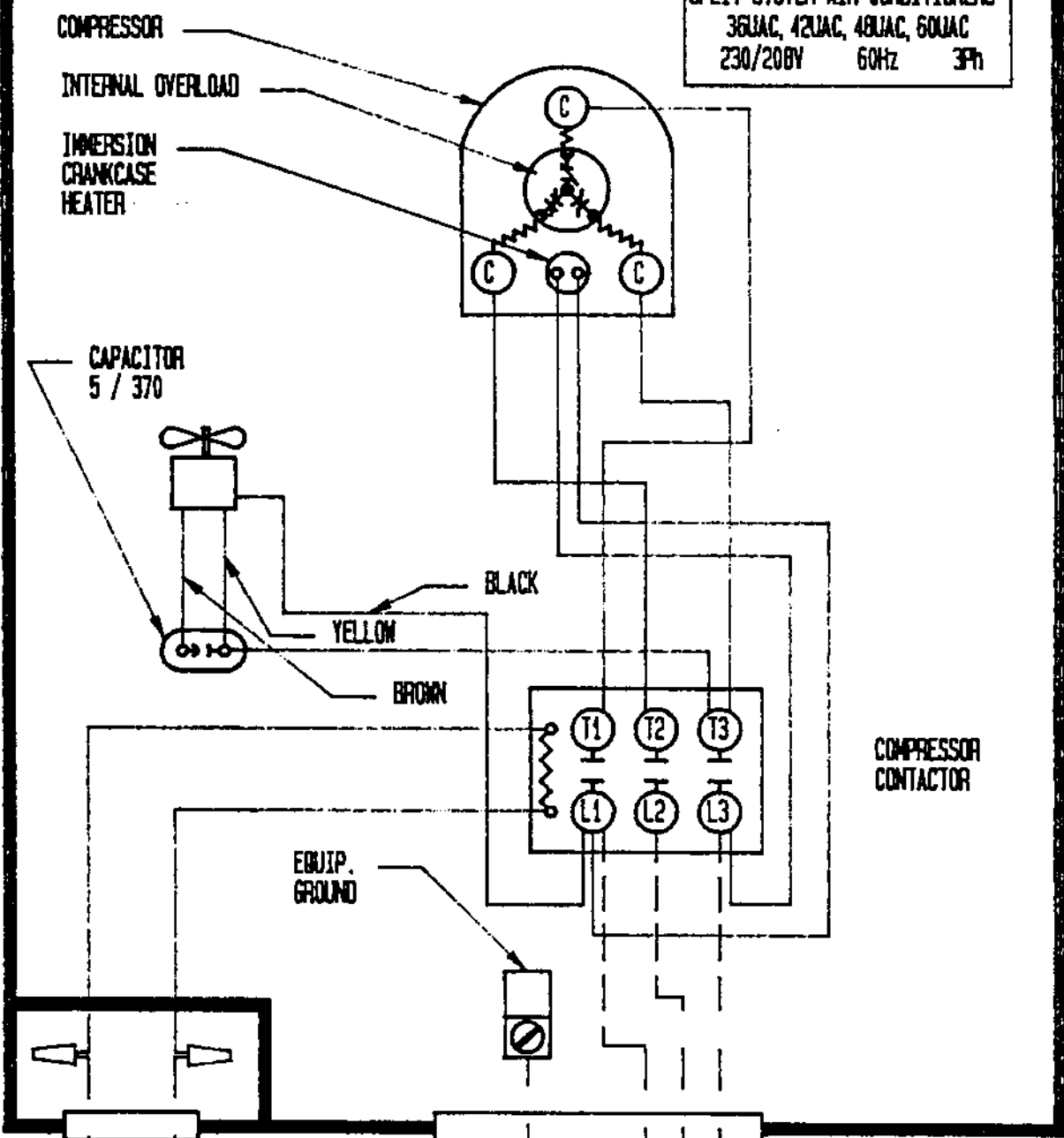
----- FIELD WIRING
 _____ FACTORY WIRING

USE COPPER
 CONDUCTORS
 ONLY

230 / 208-60-1

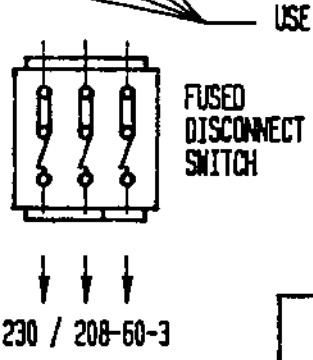
4080-110

SPLIT SYSTEM AIR CONDITIONERS
 36UAC, 42UAC, 48UAC, 60UAC
 230/208V 60Hz 3Ph



USE MINIMUM
 TRANSFORMER
 RATING OF
 30 VA

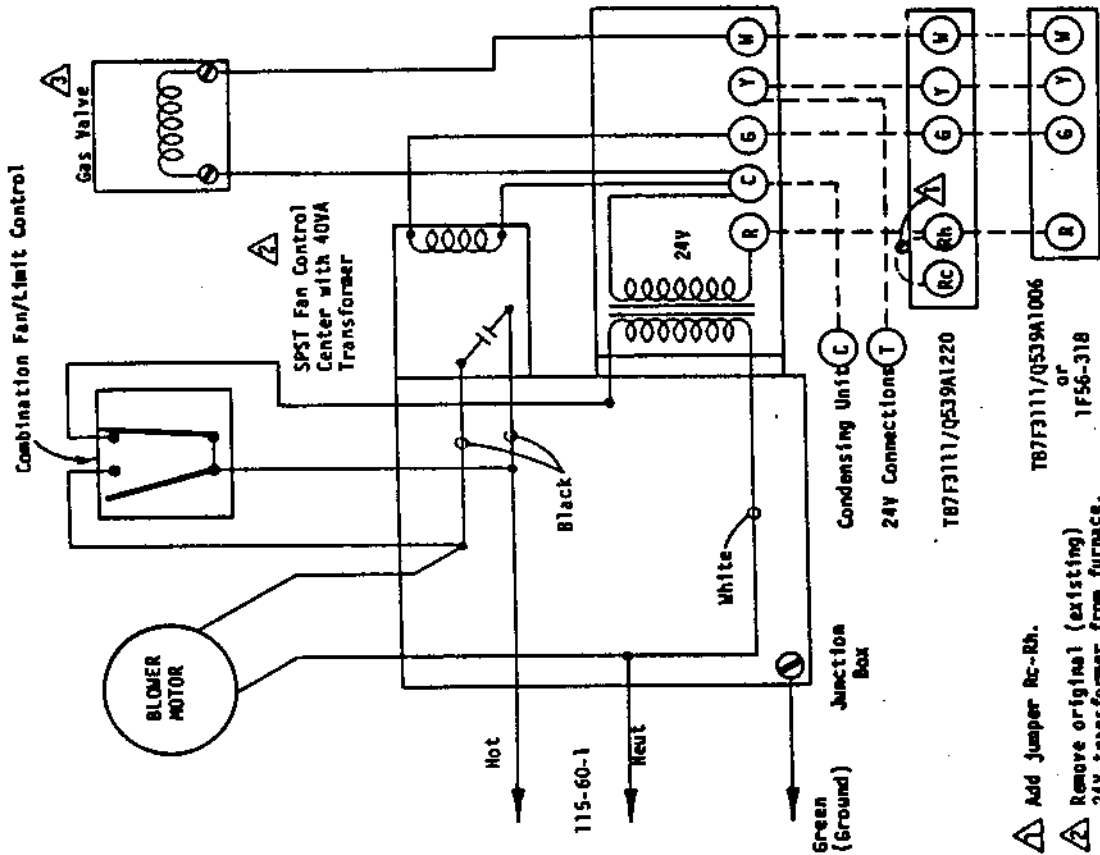
----- FIELD WIRING
 _____ FACTORY WIRING



USE COPPER CONDUCTORS ONLY

4080-210

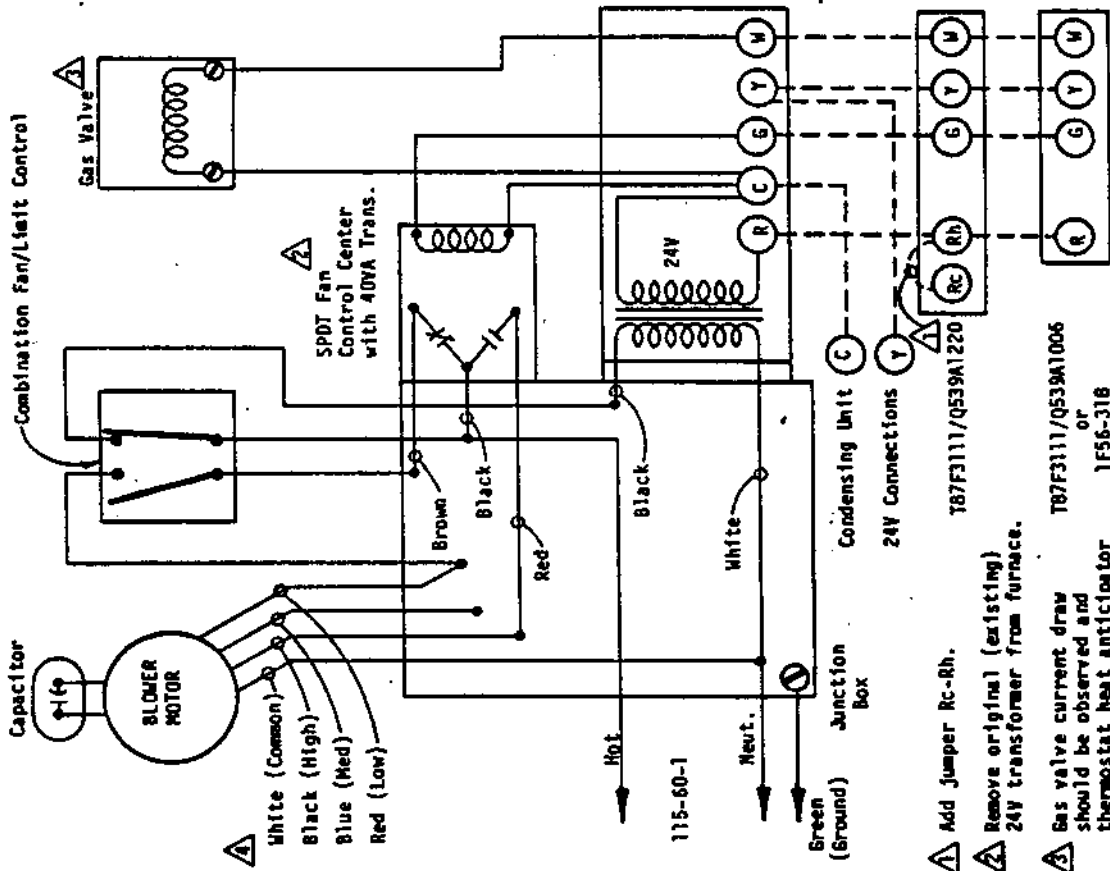
TYPICAL APPLICATION — GAS FURNACE WITH SINGLE SPEED MOTOR



- ⚠ Add Jumper Rc-Rh. T87F3111/Q539A1006
- ⚠ Remove original (existing) 24V transformer from furnace. or 1F56-318
- ⚠ Gas valve current draw should be observed and thermostat heat anticipator set at a corresponding value.

4051-110

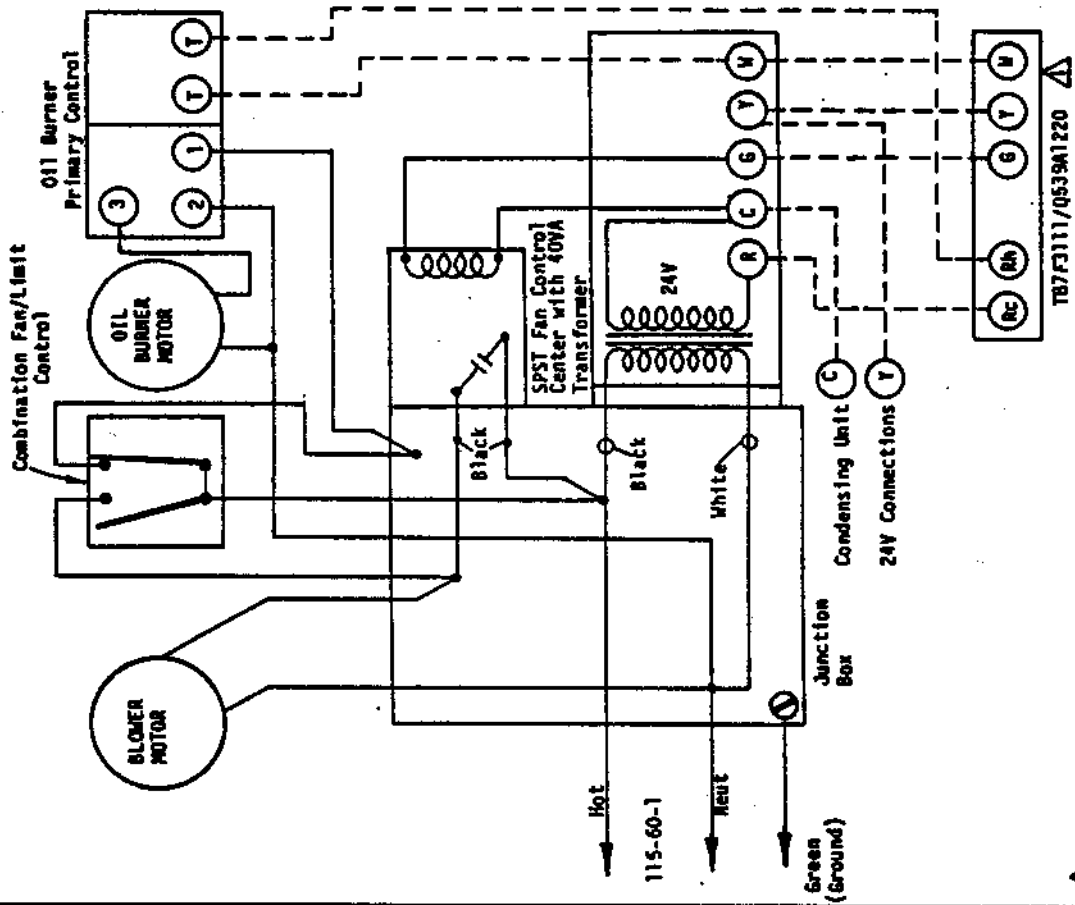
TYPICAL APPLICATION — GAS FURNACE WITH MULTI-SPEED MOTOR



- ⚠ Add Jumper Rc-Rh. T87F3111/Q539A1220
- ⚠ Remove original (existing) 24V transformer from furnace. or 1F56-318
- ⚠ Gas valve current draw should be observed and thermostat heat anticipator set at a corresponding value.
- ⚠ Any combination of speeds can be used. Be sure to connect only one speed to any one point and that all unused speeds are taped off separately.

4051-120

TYPICAL APPLICATION — OIL FURNACE



TB7F3111/0539A1220

⚠ Set heat anticipator to match current draw of oil burner primary control.

**PARTS LIST
REMOTE AIR CONDITIONING**

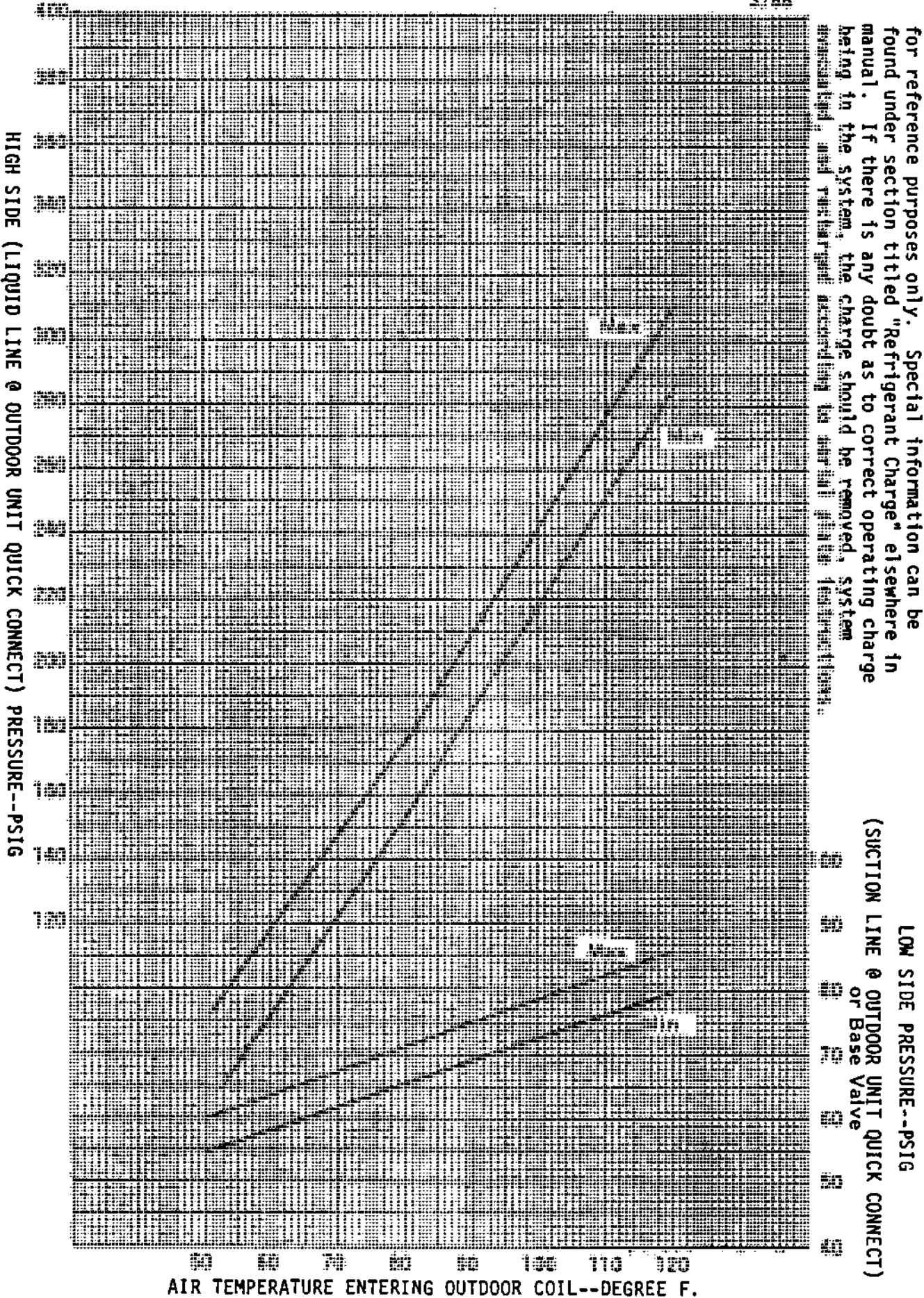
3/86

Part No.	Description	24UAC1Q-A	24UAC1S-A	30UAC1Q-A	30UAC1S-A	36UAC1Q-A	36UAC1S-A	36UAC3S-A	42UAC1Q-A	42UAC1S-A	42UAC3S-A	48UAC1Q-A	48UAC1S-A	48UAC3S-A	60UAC1Q-A	60UAC1S-A	60UAC3S-A
8552-032	Capacitor 35/370V	x	x	x	x												
8552-035	Capacitor 40/370V					x	x										
8552-028	Capacitor 35/440V								x	x							
8552-030	Capacitor 40/440V											x	x				
8552-031	Capacitor 45/440V														x	x	
8552-002	Capacitor 5/370V	x	x	x	x	x	x	x	x	x	x	x	x	x	x	x	x
8000-094	Compressor 702086-02-0820	x	x														
8000-095	Compressor 703087-06-0813			x	x												
8000-052	Compressor CRG3-0250-PFV					x	x										
8000-053	Compressor CRG3-0250-TF5							x									
8000-058	Compressor CRJ3-0300-PFV								x	x							
8000-059	Compressor CRJ3-0300-TF5										x						
8000-063	Compressor CRK3-0325-PFV											x	x				
8000-064	Compressor CRK3-0325-TF5													x			
8000-091	Compressor 703006-18-0733														x	x	
8000-031	Compressor AC122RT-003																x
5051-044	Condenser Coil	x	x			x	x	x									
5051-043	Condenser Coil			x	x												
5051-045	Condenser Coil								x	x	x						
5051-046	Condenser Coil											x	x	x			
5051-047	Condenser Coil														x	x	x
8401-007	Contactora 1P25A	x	x	x	x	x	x		x	x		x	x				
8401-003	Contactora 1P30A														x	x	
8401-002	Contactora							x			x			x			x
5151-035	Fan Blade	x	x	x	x	x	x	x									
5151-036	Fan Blade								x	x	x	x	x	x			
5151-037	Fan Blade														x	x	x
7051-018	Fan & Motor Mount Grille	x	x	x	x	x	x	x	x	x	x	x	x	x	x	x	x
7051-019	Coil Grille	x	x	x	x	x	x	x	x	x	x	x	x	x			
7051-020	Coil Grille														x	x	x
5201-011	Drier	x	x	x	x	x	x	x									
5201-012	Drier								x	x	x	x	x	x	x	x	x
5625-063	Restrictor w/.063" orifice	x	x	x	x												
5625-069	Restrictor w/.069" orifice					x	x	x									
5625-078	Restrictor w/.078" orifice								x	x	x						
5625-081	Restrictor w/.081" orifice											x	x	x			
5625-092	Restrictor w/.092" orifice														x	x	x
5651-051	Base valve 3/8"		x		x		x	x		x	x		x	x		x	x
5651-053	Base valve 3/4"		x		x		x	x									
5651-054	Base valve 7/8"									x	x		x	x			
5651-055	Full Flow valve 3/8"	2	2	2	2	2	2	2		x	x		x	x		x	x
5651-056	Full flow valve 1/2"								2	2	2	2	2	2	2	2	2
8102-010	Motor - fan	x	x	x	x	x	x	x									
8104-007	Motor - fan								x	x	x	x	x	x			
8105-028	Motor - fan														x	x	x

Model 24UAC1*-A w/A18A*-A Indoor Coil

3/86

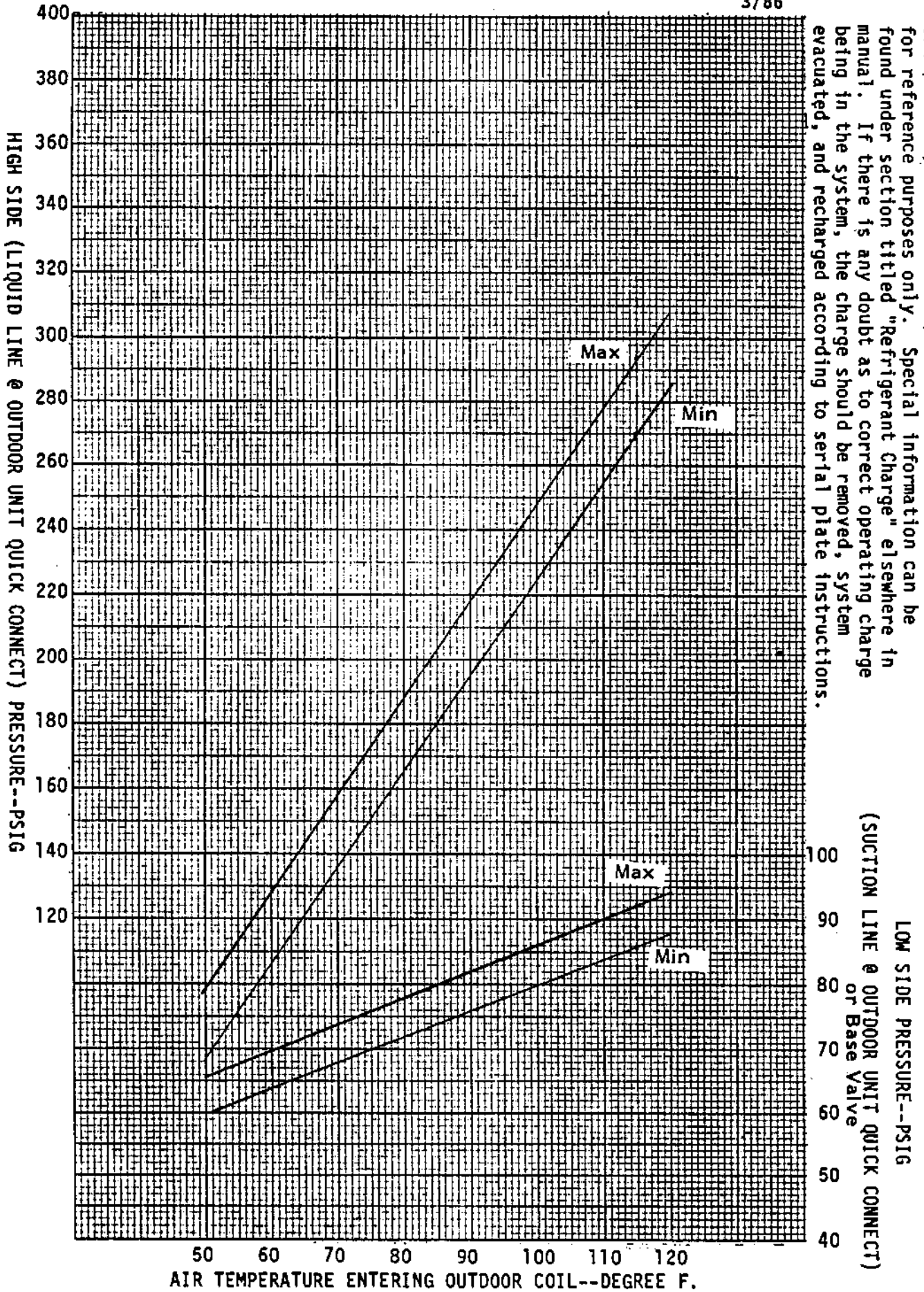
These curves are based upon 80°DB, 67°WB R.A. Temp. and Rated CFM (airflow) across the evaporator coil and should be used for reference purposes only. Special information can be found under section titled "Refrigerant Charge" elsewhere in manual. If there is any doubt as to correct operating charge being in the system, the charge should be removed, system evacuated, and recharged according to the instructions.



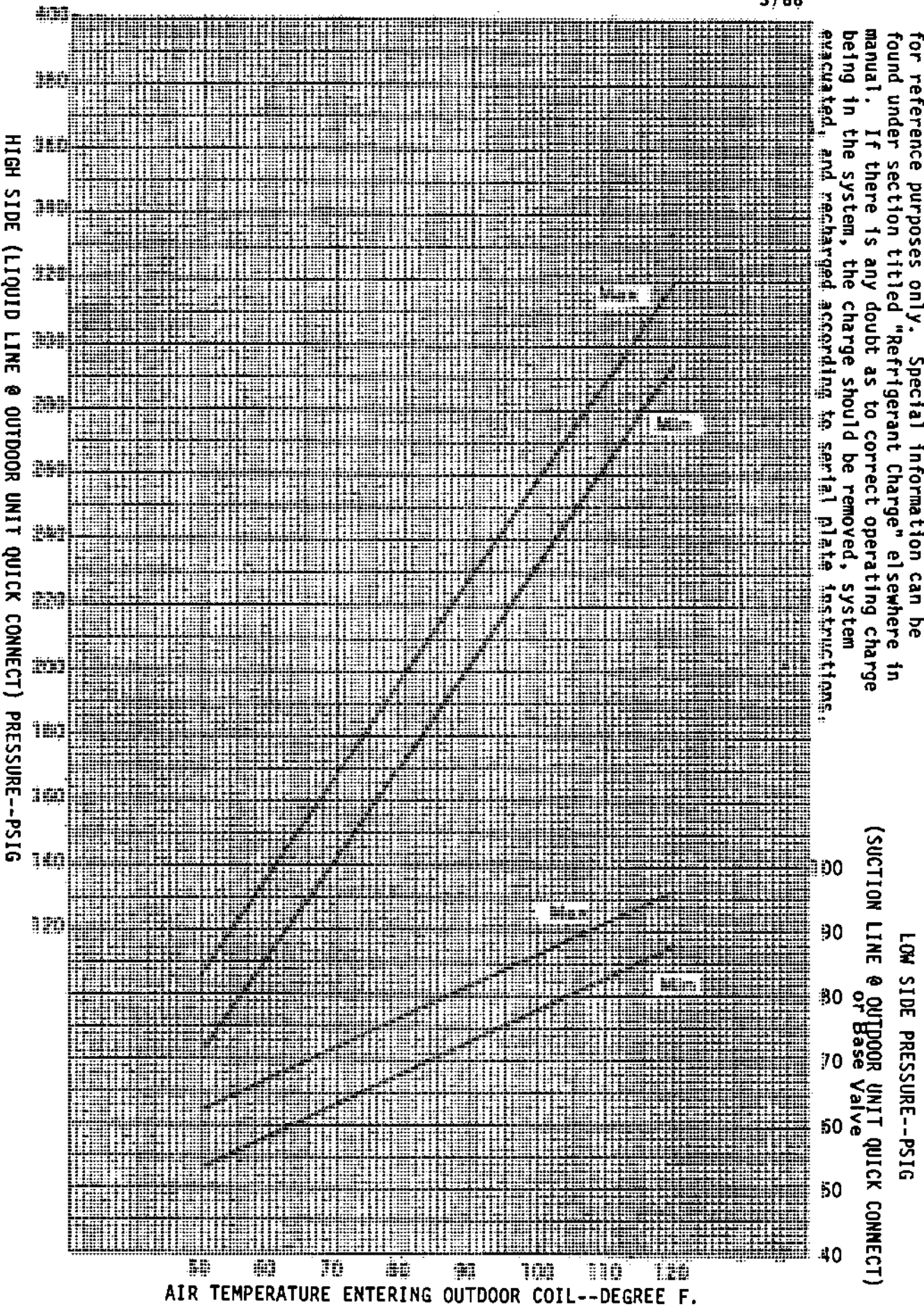
*Quick Connect or Sweat Fittings

Model 24UAC1*-A w/A30A*-A Indoor Coil

3/86

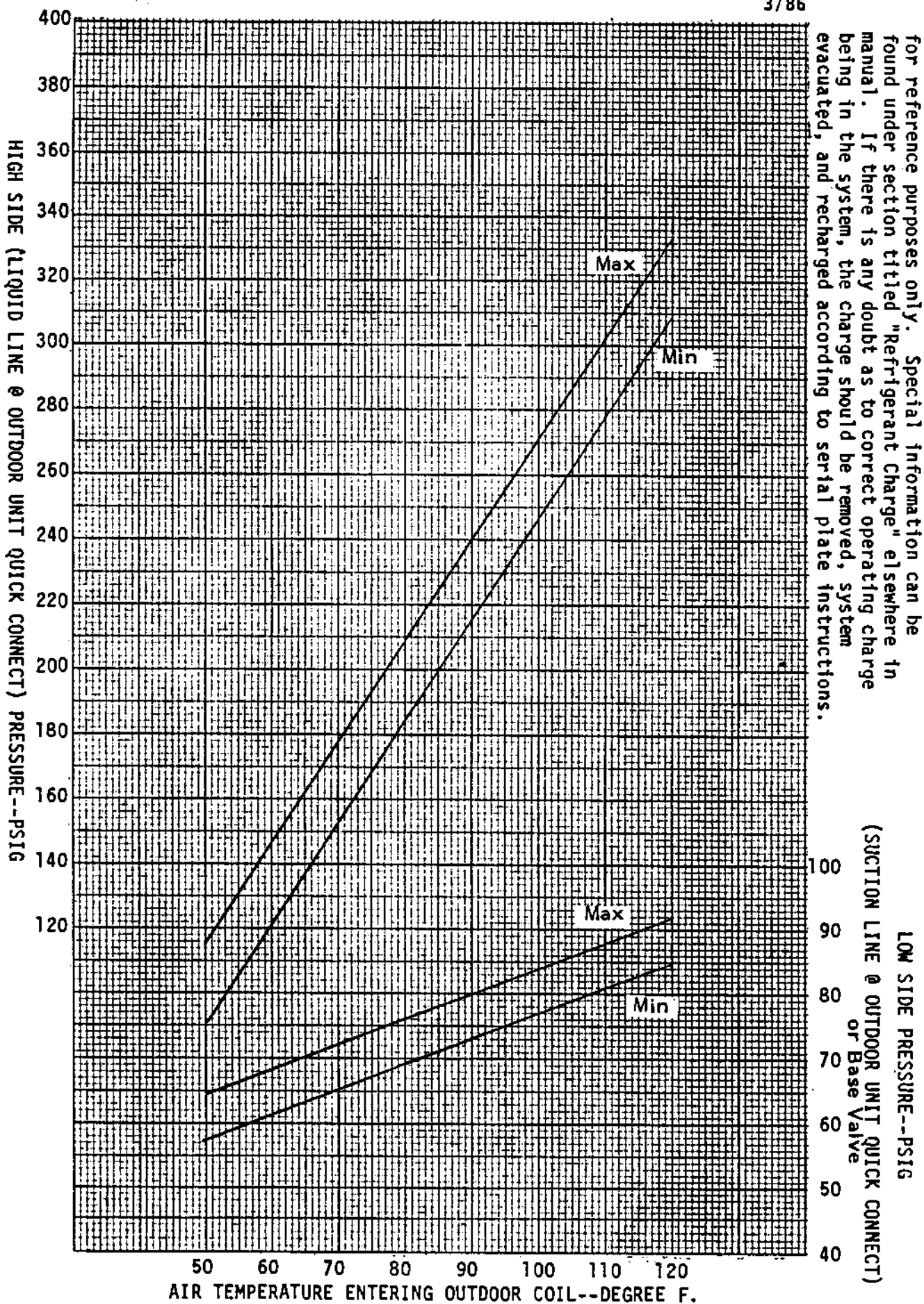


These curves are based upon 80°DB, 67°WB R.A. Temp. and Rated CFM (airflow) across the evaporator coil and should be used for reference purposes only. Special information can be found under section titled "Refrigerant Charge" elsewhere in manual. If there is any doubt as to correct operating charge being in the system, the charge should be removed, system evacuated, and recharged according to serial plate instructions.



*Quick Connect or Sweat Fittings

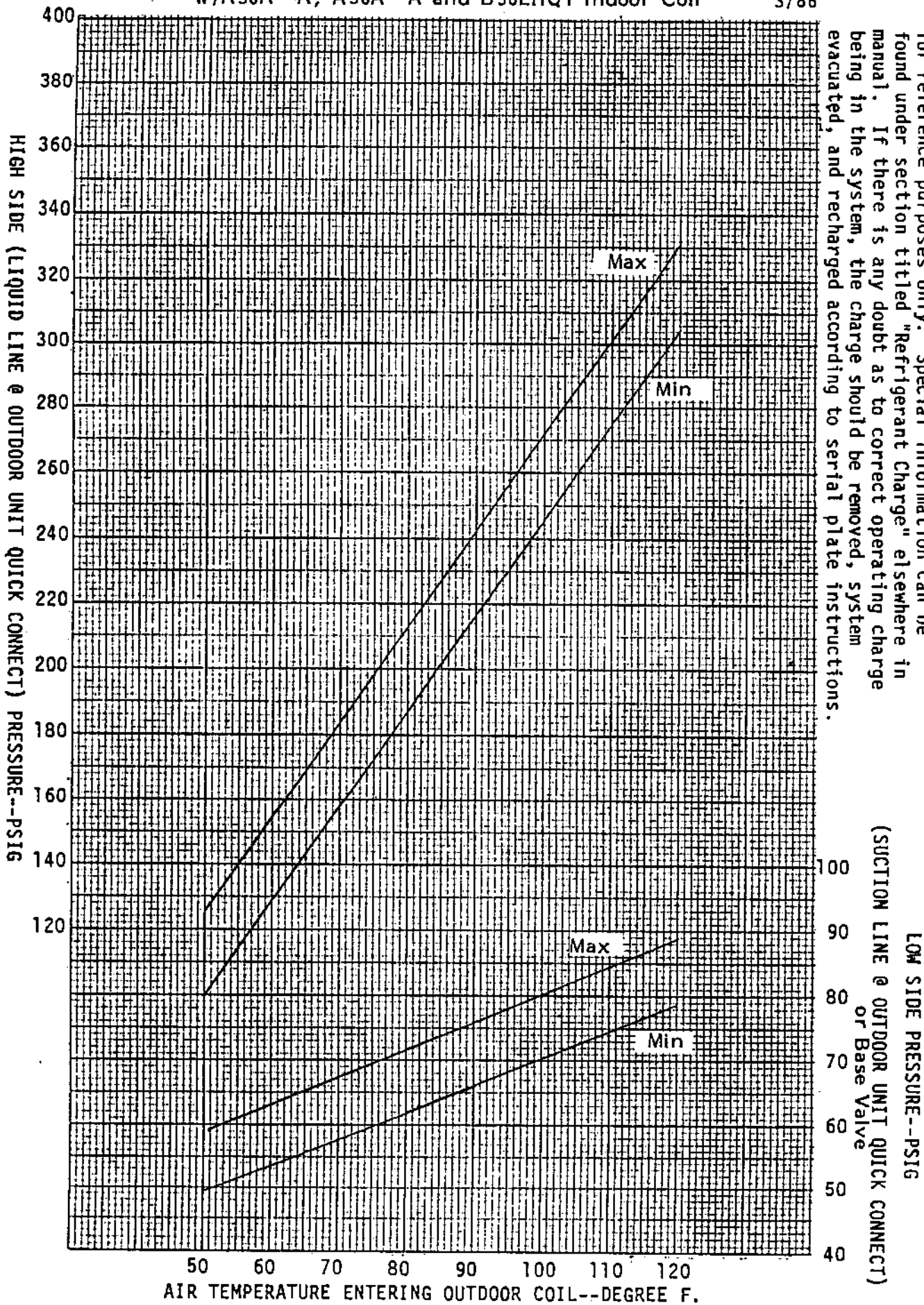
These curves are based upon 80°DB, 67°WB R.A. Temp. and Rated CFM (airflow) across the evaporator coil and should be used for reference purposes only. Special information can be found under section titled "Refrigerant Charge" elsewhere in manual. If there is any doubt as to correct operating charge being in the system, the charge should be removed, system evacuated, and recharged according to serial plate instructions.



*Quick Connect or Sweat Fittings

Models 36UAC1*-A and 36UAC3*-A
w/A30A*-A, A36A*-A and B36EHQ1 Indoor Coil

3/86

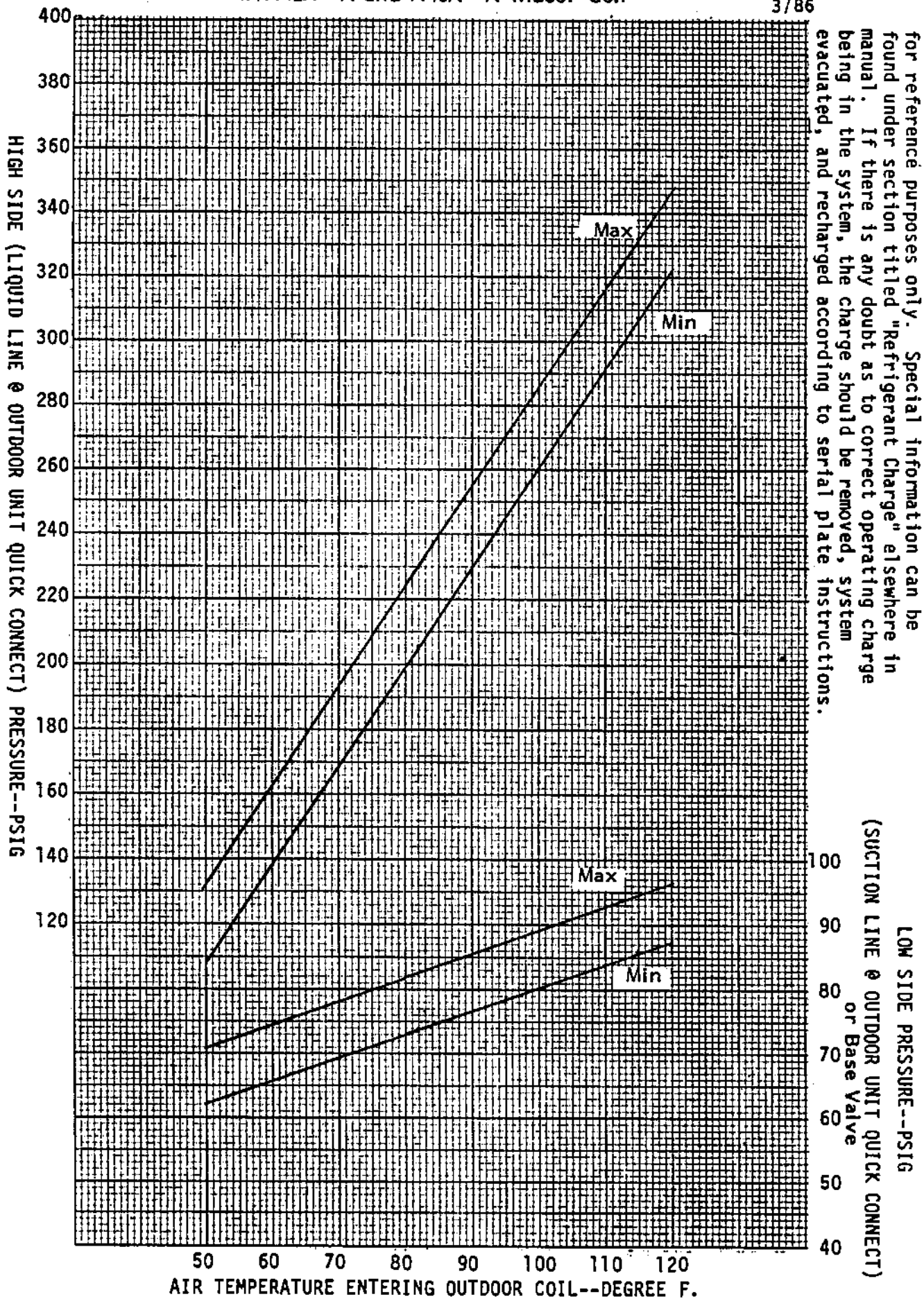


These curves are based upon 80°DB, 67°WB R.A. Temp. and Rated CFM (airflow) across the evaporator coil and should be used for reference purposes only. Special information can be found under section titled "Refrigerant Charge" elsewhere in manual. If there is any doubt as to correct operating charge being in the system, the charge should be removed, system evacuated, and recharged according to serial plate instructions.

*Quick Connect or Sweat Fittings

Models 36UAC1*-A and 36UAC3*-A
w/A42A*-A and A48A*-A Indoor Coil

3/86

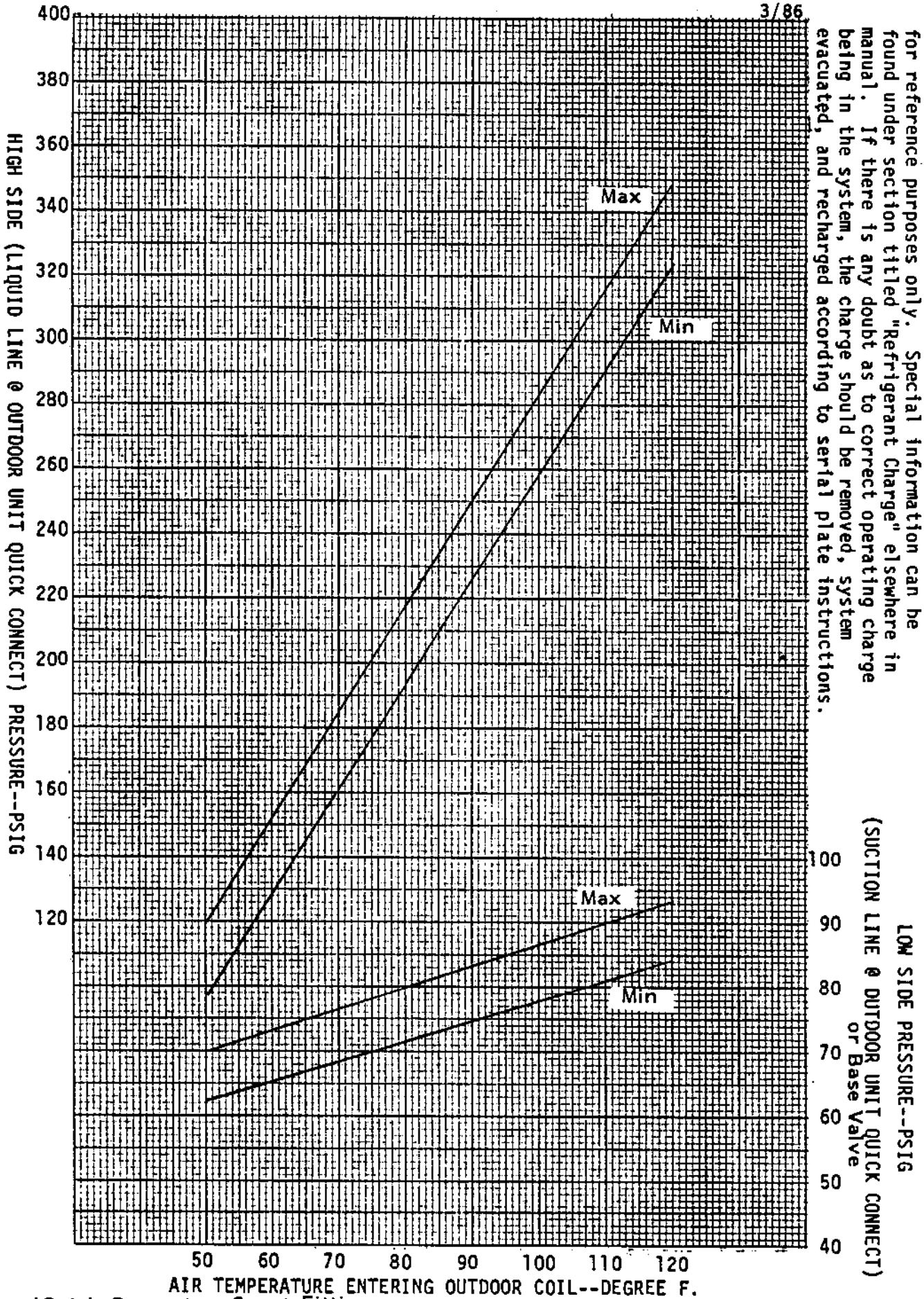


These curves are based upon 80°DB, 67°WB R.A. Temp. and Rated CFM (airflow) across the evaporator coil and should be used for reference purposes only. Special information can be found under section titled "Refrigerant Charge" elsewhere in manual. If there is any doubt as to correct operating charge being in the system, the charge should be removed, system evacuated, and recharged according to serial plate instructions.

*Quick Connect or Sweat Fittings

MODEL 42UAC1*-A , 42UAC3*-A
 With A42A*-A, A48A*-A, BC48A INDOOR COIL

3/86

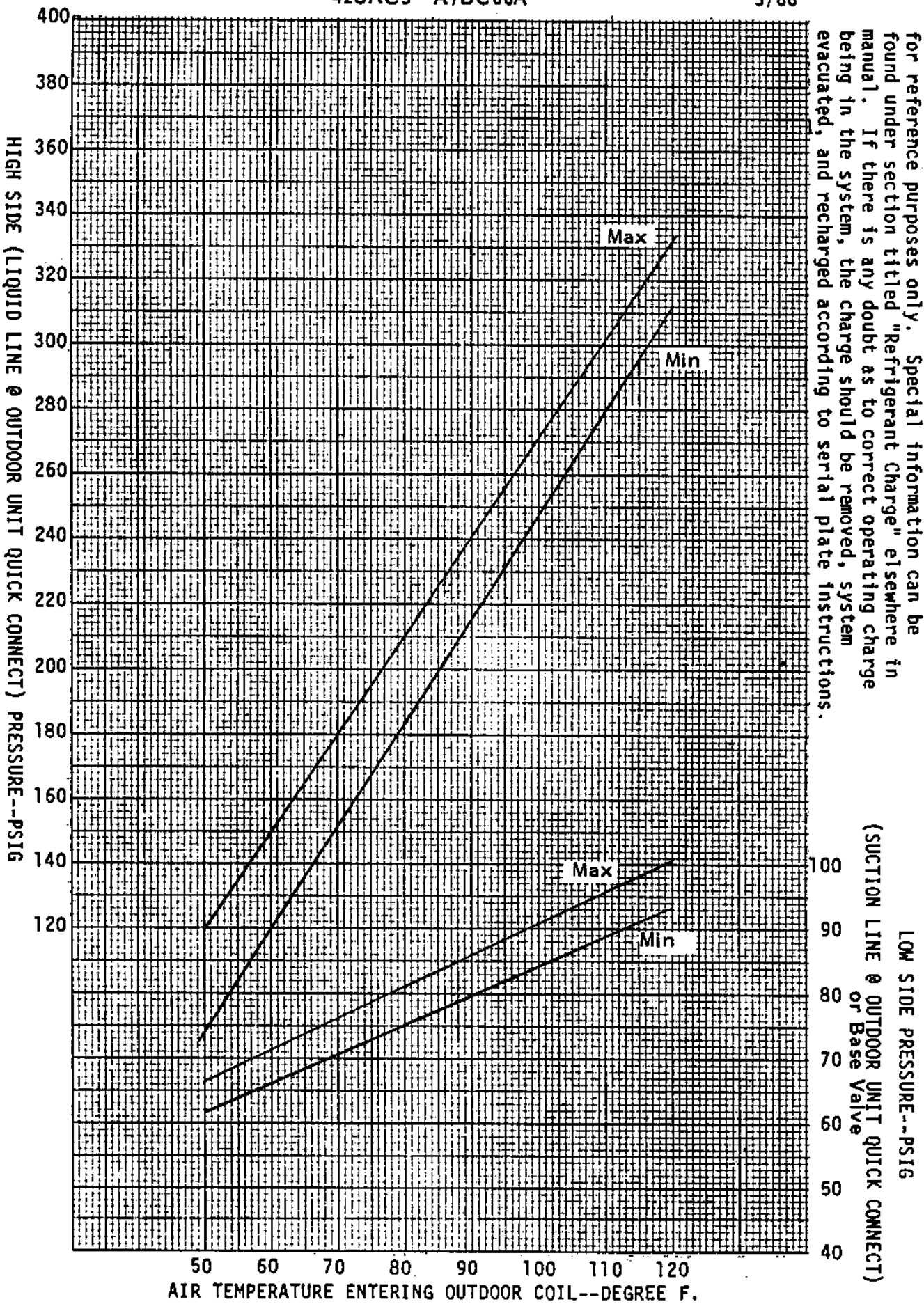


These curves are based upon 80°DB, 67°WB R.A. Temp. and Rated CFM (airflow) across the evaporator coil and should be used for reference purposes only. Special information can be found under section titled "Refrigerant Charge" elsewhere in manual. If there is any doubt as to correct operating charge being in the system, the charge should be removed, system evacuated, and recharged according to serial plate instructions.

*Quick Connect or Sweat Fittings

MODELS 42UAC1*-A/BC60A
42UAC3*-A/BC60A

3/86

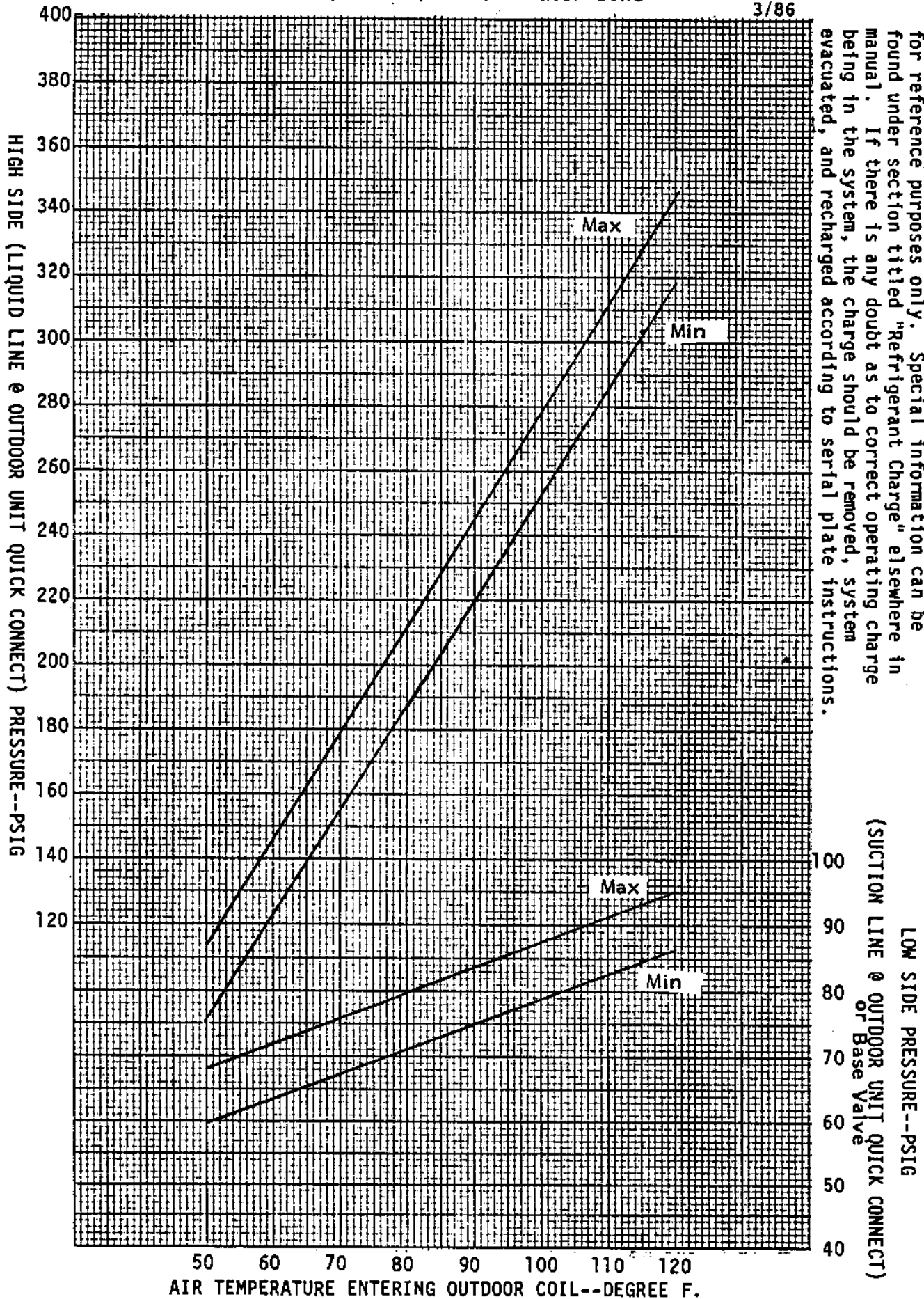


These curves are based upon 80°DB, 67°WB R.A. Temp. and Rated CFM (airflow) across the evaporator coil and should be used for reference purposes only. Special information can be found under section titled "Refrigerant Charge" elsewhere in manual. If there is any doubt as to correct operating charge being in the system, the charge should be removed, system evacuated, and recharged according to serial plate instructions.

*Quick Connect or Sweat Fittings

Models 48UAC1*-A and 48UAC3*-A
w/A48A*-A, BC48A, BC60A Indoor Coils

3/86



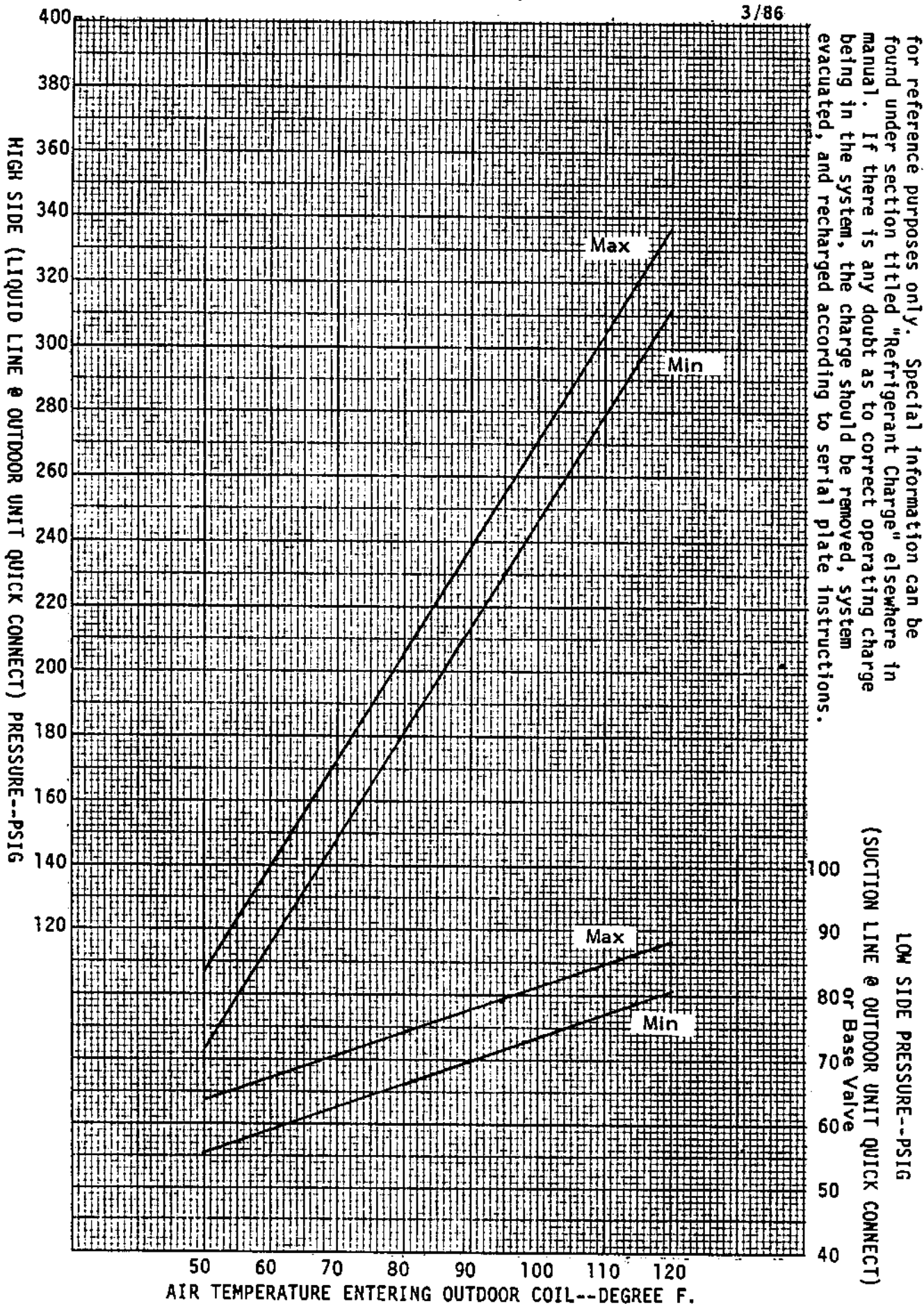
These curves are based upon 80°DB, 67°WB R.A. Temp. and Rated CFM (airflow) across the evaporator coil and should be used for reference purposes only. Special information can be found under section titled "Refrigerant Charge" elsewhere in manual. If there is any doubt as to correct operating charge being in the system, the charge should be removed, system evacuated, and recharged according to serial plate instructions.

(SUCTION LINE @ OUTDOOR UNIT QUICK CONNECT)
LOW SIDE PRESSURE--PSIG
or Base Valve

*Quick Connect or Sweat Fittings

Models 48UAC1*-A and 48UAC3*-A
w/A42A*-A Indoor Coil

3/86

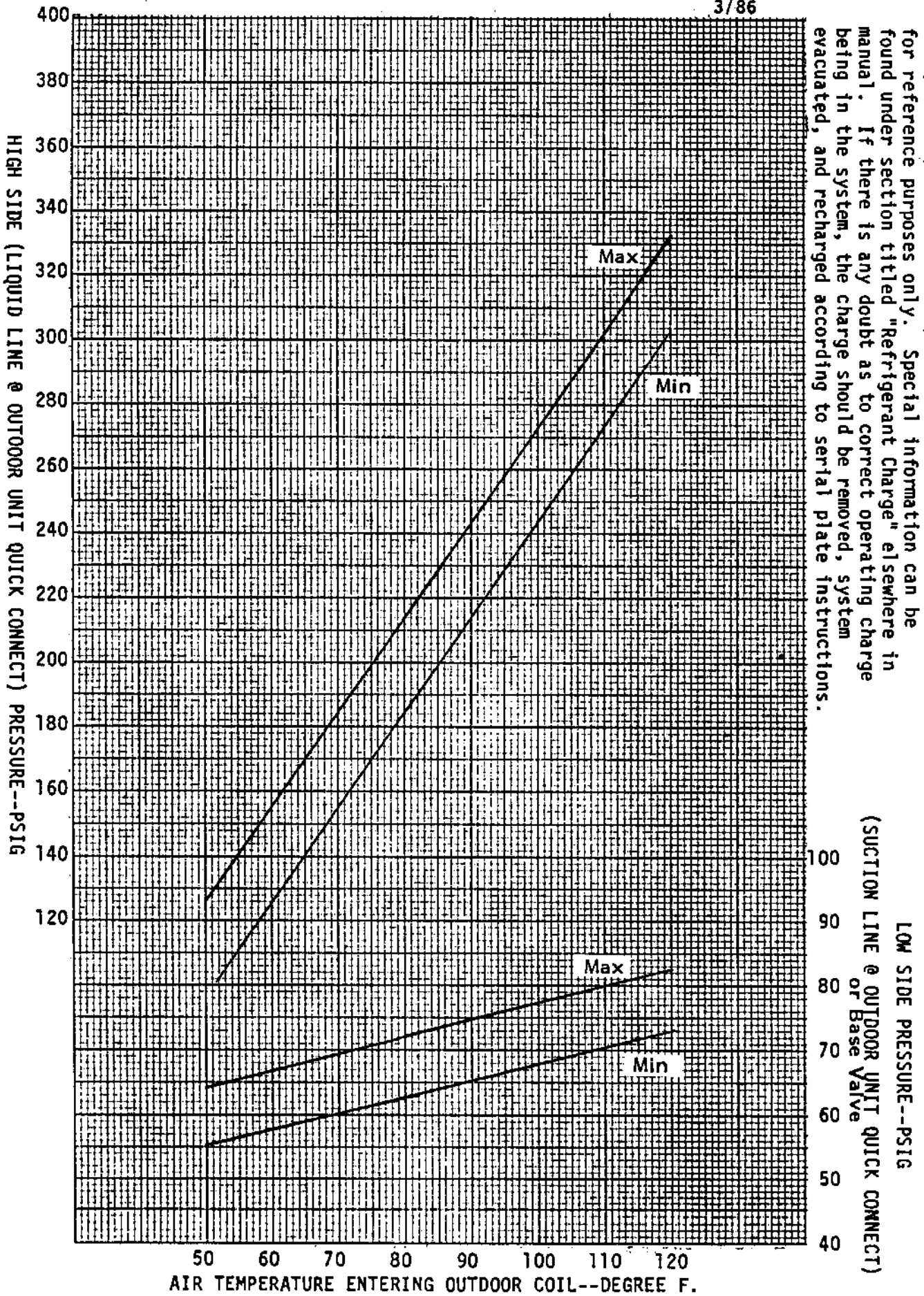


These curves are based upon 80°DB, 67°WB R.A. Temp. and Rated CFM (airflow) across the evaporator coil and should be used for reference purposes only. Special information can be found under section titled "Refrigerant Charge" elsewhere in manual. If there is any doubt as to correct operating charge being in the system, the charge should be removed, system evacuated, and recharged according to serial plate instructions.

*Quick Connect or Sweat Fittings

Models 60UAC1*-A and 60UAC3*-A
w/5HCQ Indoor Coil

3/86

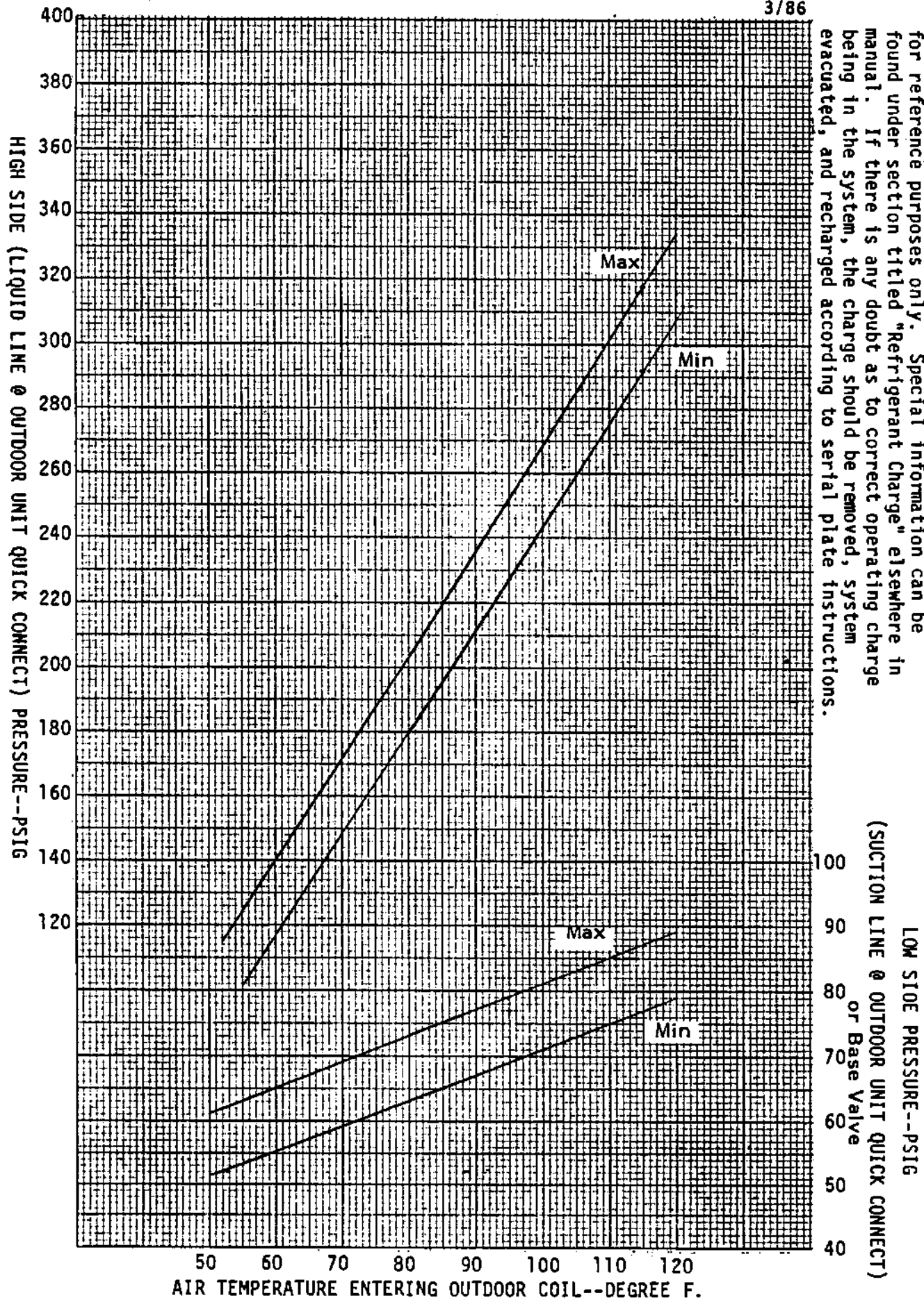


These curves are based upon 80°DB, 67°WB R.A. Temp. and Rated CFM (air-flow) across the evaporator coil and should be used for reference purposes only. Special information can be found under section titled "Refrigerant Charge" elsewhere in manual. If there is any doubt as to correct operating charge being in the system, the charge should be removed, system evacuated, and recharged according to serial plate instructions.

*Quick Connect or Sweat Fittings

Models 60UAC1*-A and 60UAC3*-A
w/A48A*-A and A60A*-A Indoor Coil

3/86



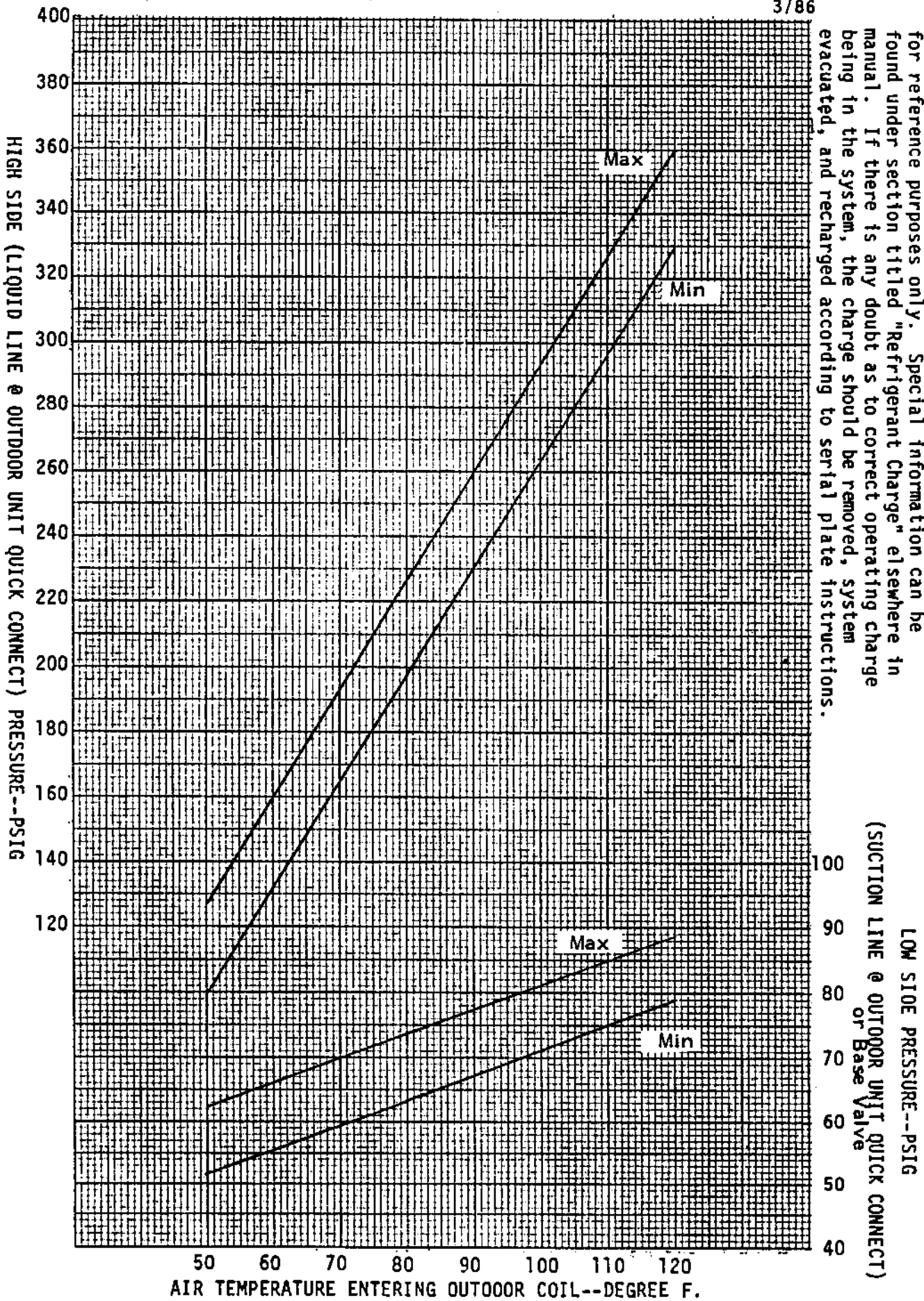
These curves are based upon 80°DB, 67°WB R.A. Temp. and Rated CFM (airflow) across the evaporator coil and should be used for reference purposes only. Special information can be found under section titled "Refrigerant Charge" elsewhere in manual. If there is any doubt as to correct operating charge being in the system, the charge should be removed, system evacuated, and recharged according to serial plate instructions.

*Quick Connect or Sweat Fittings

Models 60UAC1*-A and 60UAC3*-A
w/BC48A, BC60A Indoor Coil

3/86

These curves are based upon 80°DB, 67°WB R.A. Temp. and Rated CFM (airflow) across the evaporator coil and should be used for reference purposes only. Special information can be found under section titled "Refrigerant Charge" elsewhere in manual. If there is any doubt as to correct operating charge being in the system, the charge should be removed, system evacuated, and recharged according to serial plate instructions.



*Quick Connect or Sweat Fittings