

INSTALLATION INSTRUCTIONS

WALL MOUNTED PACKAGED AIR CONDITIONERS

MODELS

MAC30A

MAC36A

**MANUAL 2100-122 REV. G
SUPERSEDES REV. F
FILE VOL. III, TAB 16**

**COPYRIGHT MAY, 1989
BARD MANUFACTURING COMPANY
BRYAN, OHIO**

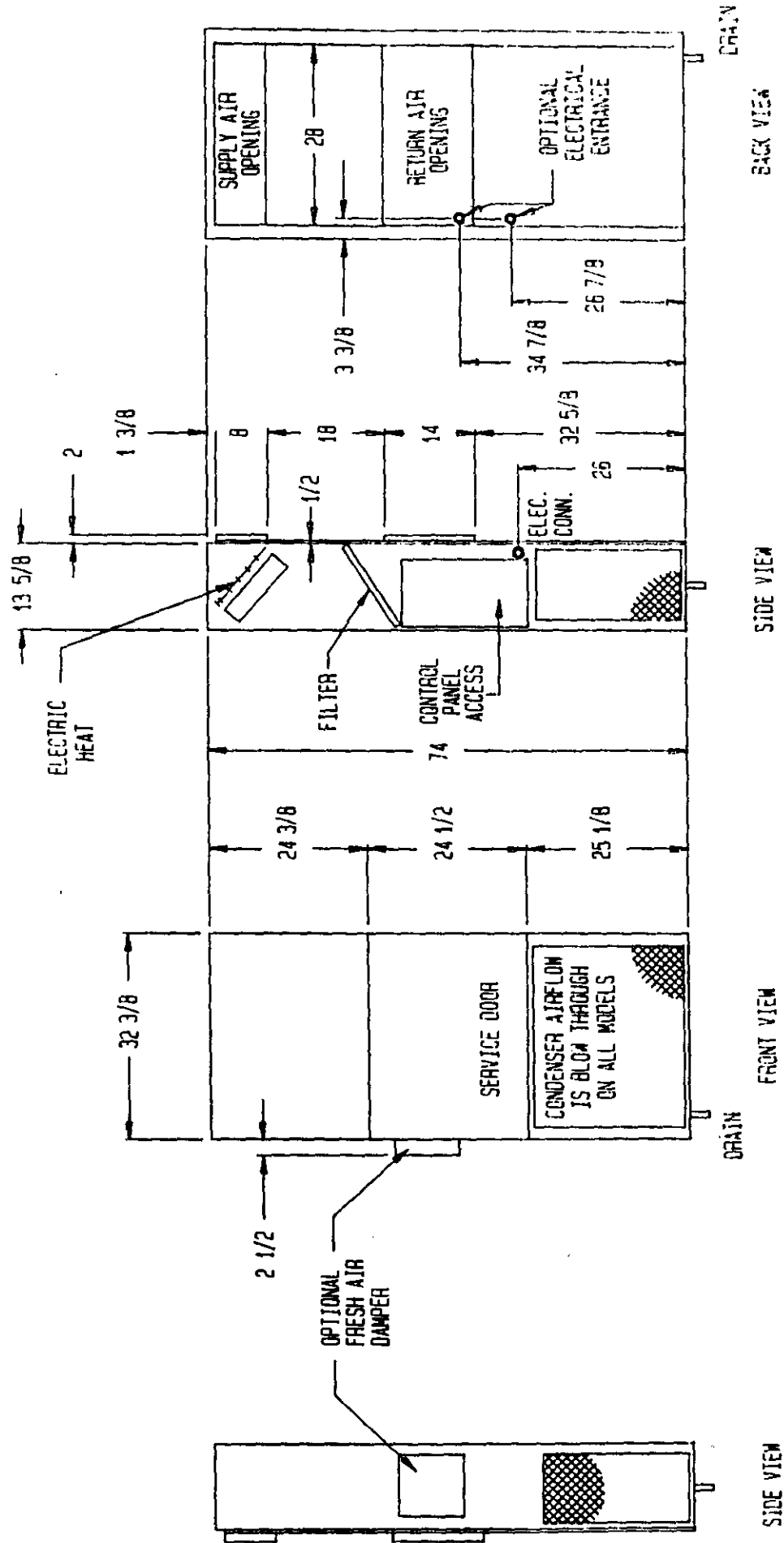
TABLE OF CONTENTS

Important	3
Shipping Damage	3
General	3
Installation	3
Duct Work	3
Filter	3
Fresh Air Intake	4
Wall Mounting	4
Wiring--Main Power	4
Transformer	4
Fan Blade Setting Dimensions	6
Refrigerant Charge.	6
Important Installer Note	7
Pressure Service Ports	7
Indoor Blower Performance	7

FIGURES AND TABLES

Figure 1	1
Figure 2	5
Figure 3	6
Table 1	2
Table 2	6
Table 3	7
Table 4	7
Table 5	8

FIGURE 1



NOTE: Maintain minimum 30" clear space on right and front for service access.

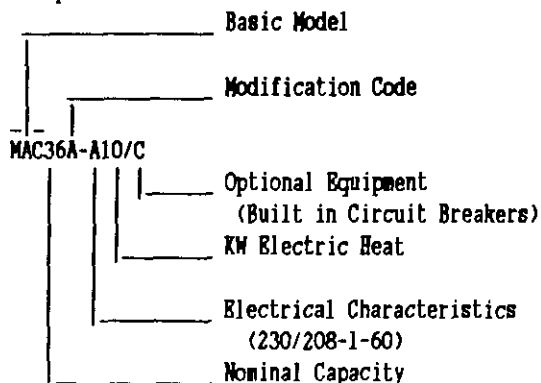
TABLE 1

SPECIFICATIONS								
MODEL	MAC30A-A00	MAC30A-A05	MAC30A-A10	MAC30A-A15	MAC36A-A00	MAC36A-A05	MAC36A-A10	MAC36A-A15
Heater KW @240/208V	NONE	5/3.75	10/7.5	15/11.25	NONE	5/3.75	10/7.5	15/11.25
Cooling Capacity Btuh	28,600	28,600	28,600	28,600	35,000	35,000	35,000	35,000
Heating Capacity Btuh**	NONE	19,000/ 15,000	36,000/ 27,000	53,000/ 40,000	NONE	19,000/ 15,000	36,000/ 27,000	53,000/ 40,000
Electrical Rating--60HZ	230/208-1	230/208-1	230/208-1	230/208-1	230/208-1	230/208-1	230/208-1	230/208-1
Operating Voltage Range	197-253	197-253	197-253	197-253	197-253	197-253	197-253	197-253
Minimum Circuit Ampacity	25	31	57	83	30	31	57	83
No. Field Power Ckts.	1	1	1	1	1	1	1	1
**Field Wire Size	#10	#8	#4	#2	#8	#8	#4	#2
Ground Wire Size	#10	#10	#10	#8	#10	#10	#10	#8
***Req'd Max. External Fuses	40	40	60	90+	45	45	60	90+
Total Unit Amps 240/208	18.3/19.8	24.7/22.0	45.5/40.1	66.4/58.0	22.3/23.8	24.7/23.8	45.5/40.1	66.4/58.0
Internal Fuses (Standard)	NONE	NONE	NONE	60/30	NONE	NONE	NONE	60/30
Internal Circuit Breakers (Option C)	40	40	60	60, 30	45	45	60	60, 30
Compressor--Circuit A								
Volts	230/208				230/208			
Rated Load Amps 230/208	13/14.5				17/18.5			
Branch Circuit Selection Current	15.5				19.5			
Lock Rotor Amps	76/76				97/97			
Fan Motor & Condenser								
Fan Motor--HP/RPM	1/5/1050				1/5/1050			
Fan Motor--Amps	1.4				1.4			
Fan--DIA/CFM	20"/1800				20"/1800			
Face Area Sq Ft/Row/Fins per inch	4.7/2/12				4.7/2/12			
Motor and Evaporator								
Blower Motor--HP/RPM	1/2/1600				1/2/1600			
Blower Motor--Amps	3.9				3.9			
CFM Cooling & B.S.P. w/Filter (Rated)	1000/.30				1060/.15			
Face Area Sq Ft/Row/Fins per inch	2.7/2/13				2.7/2/13			
Filter Sizes (inches)	14x25x1				14x25x1			
Refrigerant 22--oz.	61				56			
Shipping Weight--lbs.	310				315			
**60 degree C copper wire size.					+Sizes 70A or greater are not HACR type.			
***Maximum time delay fuse or HACR type circuit breaker.					++Includes blower motor.			

Specifications subject to change without notice.

Nomenclature Explanation

Example:



IMPORTANT

While this electrical data is presented as a guide, it is important to electrically connect, properly sized fuses and conductor wires in accordance with the National Electrical Code and all existing local codes.

IMPORTANT

The equipment covered in this manual is to be installed by trained, experienced service and installation technicians. Any heat pump is more critical of proper operating, charge and an adequate duct system than a straight air conditioning unit. All duct work supply and return, must be properly sized for the design air flow requirement of the equipment. ACCA is an excellent guide to proper sizing. All duct work or portions thereof not in the conditioned space should be properly insulated in order to both conserve energy and prevent condensation or moisture damage.

SHIPPING DAMAGE

Upon receipt of equipment, the carton should be checked for external signs of shipping damage. If damage is found, the receiving party must contact the last carrier immediately, preferably in writing, requesting inspection by the carrier's agent.

GENERAL

The refrigerant system is completely assembled and charged. All internal wiring is complete.

The unit is designed for use with or without duct work. Flanges are provided for attaching the supply and return ducts.

These instructions explain the recommended method to install the air cooled self-contained unit and the electrical wiring connections to the unit.

These instructions and any instructions packaged with any separate equipment required to make up the entire air conditioning system should be carefully read before beginning the installation. Note particularly "Starting Procedure" and any tags and/or labels attached to the equipment.

While these instructions are intended as a general recommended guide, they do not supersede any national and/or local codes in any way. Authorities having jurisdiction should be consulted before the installation is made.

INSTALLATION

Size of unit for a proposed installation should be based on heat loss calculation made according to methods of Air Conditioning Contractors of America (ACCA). The air duct should be installed in accordance with the Standards of the National Fire Protection Association for the Installation of Air Conditioning and ventilating systems of Other Than Residence Type, NFPA No. 90A, and Residence Type Warm Air Heating and Air Conditioning System, NFPA No. 90B. Where local regulations are a variance with instructions, installer should adhere to local codes.

DUCT WORK

Design the duct work according to methods given by the Air Conditioning Contractors of America. When duct runs through unheated spaces, it should be insulated with a minimum of one inch of insulation. Use insulation with a vapor barrier on the outside of the insulation. Flexible joints should be used to connect the duct work to the equipment in order to keep the noise transmission to a minimum.

A one-inch clearance to combustible material for the first three feet of duct attached to the outlet air frame is required. See Figure 2, Page 5 for further details.

FILTER

A one inch throwaway filter is supplied with each unit. The filter slides into position making it easy to service. This filter can be serviced from the outside by removing the service door.

FRESH AIR INTAKE

All units are built with a fresh air inlet opening punched in the left unit side. This opening is covered by a factory installed blank off plate, model BOP20.

A fresh air damper assembly, model EAD20, may be ordered separately to accommodate the variety of state and local codes requiring fresh air capability.

All capacity, efficiency and cost of operation information as required for Department of Energy "EnergyGuide" fact sheets is based on the fresh air blank off plate being in place and is recommended for maximum energy efficiency.

WALL MOUNTING

1. Two holes, for the supply and return air openings must be cut through the wall as shown in Figure 2.
2. On wood-frame walls, the wall construction must be strong and rigid enough to carry the weight of the unit without transmitting any unit vibration. **WARNING:** Fire hazard can result if one inch clearance to combustible material for supply air duct maintained. See Figure 2.
3. Concrete block walls must be thoroughly inspected to insure that they are capable of carrying the weight of the installing unit.
4. Ducts through the walls must be insulated and all joints taped or sealed to prevent air or moisture entering the wall cavity.
5. Some installations may not require any return air duct. It is recommended that on this type of installation that filter grille be located in the wall. Filters must be of sufficient size to allow a maximum velocity of 400 FPM.

NOTE: If no return air duct is used, applicable installation codes may limit this cabinet to installation only in a single story structure.

WIRING--MAIN POWER

Refer to the unit rating plate for wire sizing information and maximum fuse or "HACR Type" circuit breaker size. Each outdoor unit is marked with a "Minimum Circuit Ampacity." This means that the field wiring used must be sized to carry that amount of current. Some models are suitable for connection with copper wire, while others can be wired with either copper or aluminum wire. Each unit and/or wiring diagram will be marked "Use Copper Conductors Only" or "Use Copper or Aluminum Conductors." These instructions **MUST BE** adhered to. Refer to the National Electrical Code for complete current carrying capacity data on the various insulation grades of wiring material.

The electrical data lists fuse and wire sizes (60 degree C copper) for all models, including the most commonly used heater sizes.

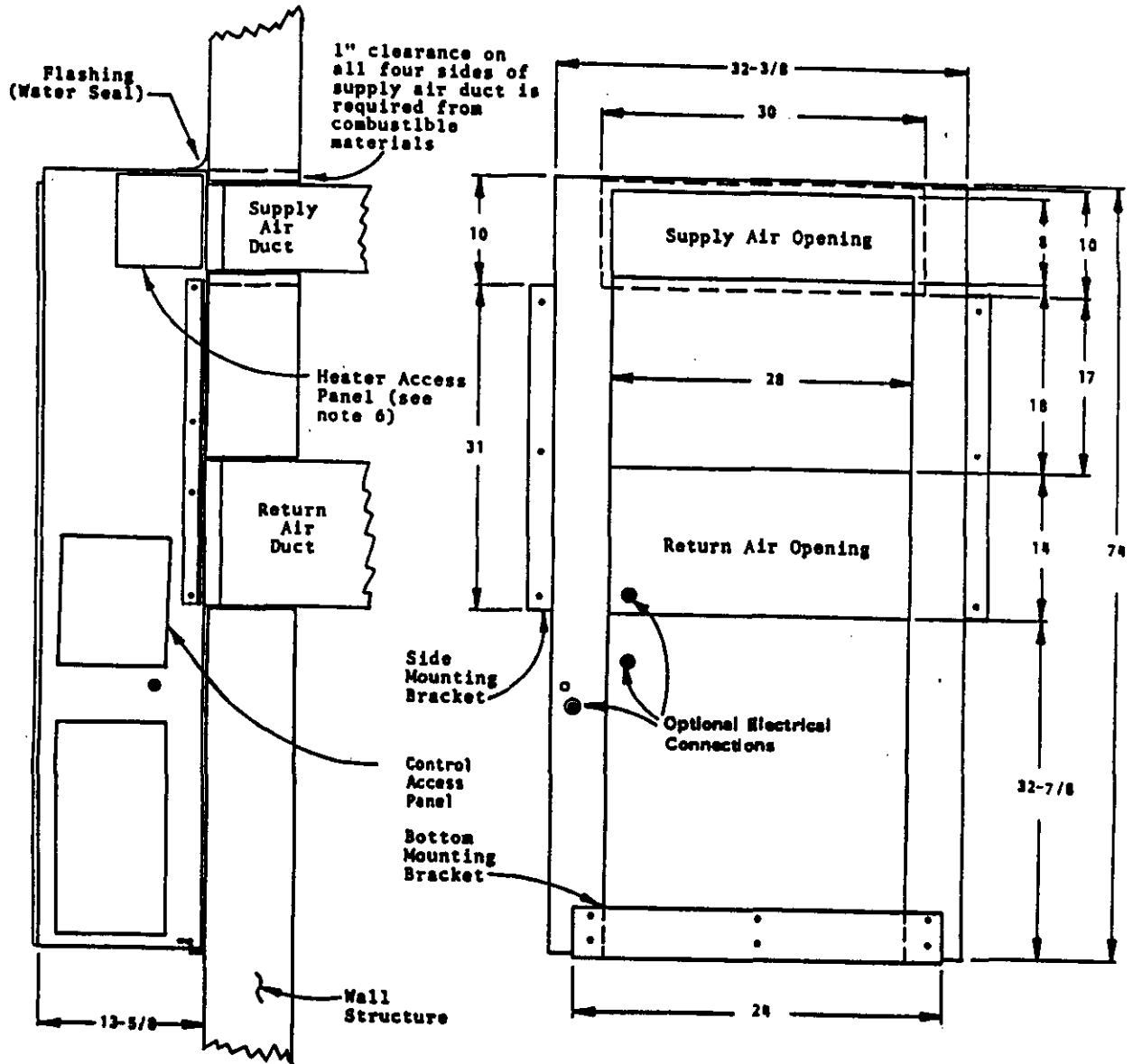
The unit rating plate lists a "Maximum Time Delay Relay Fuse" or "HACR Type" circuit breaker that is to be used with the equipment. The correct size must be used for proper circuit protection and also to assure that there will be no nuisance tripping due to the momentary high starting current of the compressor motor.

TRANSFORMER

230/208V, 1 phase and 3 phase equipment employ dual primary voltage transformers. All equipment leave the factory wired on 240V tap. For 208V operation, reconnect from 240V to 208V tap. The acceptable operating voltage range for the 240V and 208V taps are:

<u>TAP</u>	<u>Range</u>
240	253-216
208	220-187

NOTE: The voltage should be measured at the field power connection point in the unit and while the unit is operating at full load (maximum amperage operating condition).



MOUNTING INSTRUCTIONS

1. These units are secured by wall mounting brackets which secure the unit to the outside wall surface at both sides and at the bottom.
2. The unit itself is suitable for "0" inch clearance, but the supply air duct flange and the first three feet of supply air duct require 1 inch clearance to combustible material. If combustible wall, use 30" x 10" dimensions for sizing, if non-combustible, use 28" x 8" dimensions.
3. After the wall opening positions have been selected, lay out the position for the bottom and side brackets. Fasten the brackets securely to the wall (type of fasteners will depend on wall construction).
4. Be sure to observe the 10" dimension when attaching the side brackets. This will assure that no screws are driven into the unit sides damaging any internal parts. One-half inch sheet metal screws are recommended.
5. For additional mounting rigidity, the return air and supply air (depending upon wall construction) frames or collars can be drilled and screwed or welded to the structural wall itself. Be sure to observe required clearance if combustible wall.
6. Maintain 30 inches minimum clearance on right side of unit to allow access to heat strip and control panel.

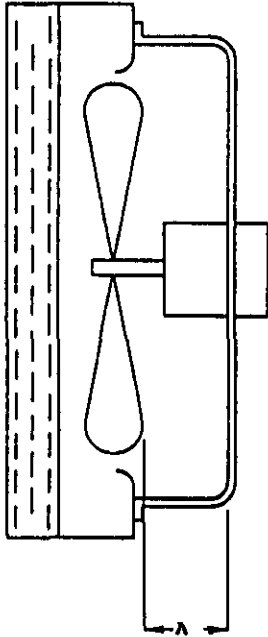
WARNING: Failure to provide the one inch clearance for the first three feet between the supply duct and a combustible surface can result in fire.

FAN BLADE SETTING DIMENSIONS

Shown in the drawing below are the correct fan blade setting dimensions for proper air delivery across the outdoor coil.

Any service work requiring removal or adjustment in the fan and/or motor area will require that the dimensions below be checked and blade adjusted in or out on the motor shaft accordingly.

FIGURE 3



Model	Dim. A
MAC30A	1-1/2
MAC36A	

REFRIGERANT CHARGE

The correct system R-22 charge is shown on the unit rating plate. Optimum unit performance will occur with a refrigerant charge resulting in a suction line temperature (6" from compressor) as shown in the following table:

TABLE 2

Model	Rated Air Flow	95 F OD Temperature	82 F OD Temperature
MAC30A	1000	51 - 53	61 - 63
MAC36A	1060	50 - 52	56 - 58

The above suction line temperatures are based upon 80 degree F dry bulb/67 degree wet bulb (50% R.H.) temperature and rated airflow across the evaporator during cooling cycle.

TABLE 3

RATED CFM E.S.P. (WET COIL--COOLING)			
Model	Rated* CFM	Rated* E.S.P.	Recommended Airflow Range
MAC30A	1000	.30	900 - 1100
MAC36A	1060	.15	900 - 1160

IMPORTANT INSTALLER NOTE

For improved start-up performance wash the indoor coil with a dishwasher detergent.

PRESSURE SERVICE PORTS

High and low pressure service ports are installed on all units so that the system operating pressures can be observed. Pressure charts can be found later in the manual in Table 5 covering all models. It is imperative to match the correct pressure chart to the unit by model number.

INDOOR BLOWER PERFORMANCE

TABLE 4

INDOOR BLOWER PERFORMANCE CFM - Dry Coil	
E.S.P. Inches H ₂ O	MAC30A, MAC36A High
.0	1200
.10	1160
.20	1120
.30	1075
.40	1035
.50	970

If this unit is operated in cooling below a 65 degree outdoor ambient temperature, the installation of low ambient control (LAC-1) to unit is required.

TABLE 5

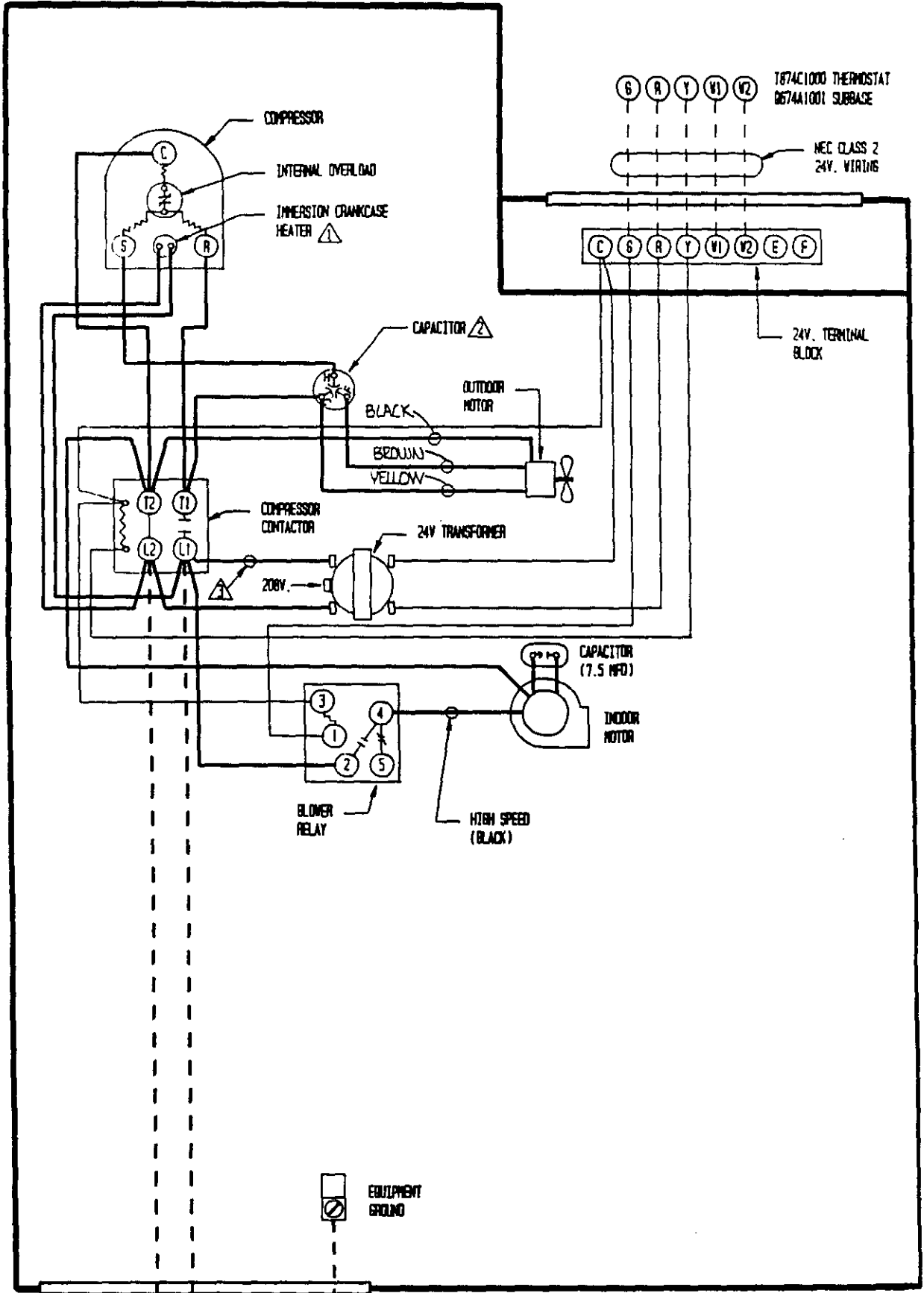
COOLING

Air Temperature Entering Outdoor Coil Degree F

Model	Return Air Temperature	Pressure	°	°	°	°	°	°	°	°	°
			75	80	85	90	95	100	105	110	115
MAC30A	75 deg. DB	Low Side	66	68	71	73	75	77	79	81	83
	62 deg. WB	High Side	214	232	249	265	283	299	317	333	350
	80 deg. DB	Low Side	71	73	76	78	80	82	85	87	89
	67 deg. WB	High Side	220	238	255	272	290	307	325	342	359
	85 deg. DB	Low Side	76	78	82	84	86	88	91	94	96
	72 deg. WB	High Side	228	246	264	282	300	318	336	354	372
MAC36A	75 deg. DB	Low Side	63	65	66	68	71	73	75	78	79
	62 deg. WB	High Side	224	240	259	278	294	315	331	351	372
	80 deg. DB	Low Side	67	69	71	73	76	78	80	83	85
	67 deg. WB	High Side	230	246	266	285	302	323	340	360	382
	85 deg. DB	Low Side	72	74	76	78	82	84	86	89	91
	72 deg. WB	High Side	238	255	275	295	313	334	352	373	395

Low side pressure \pm 2 PSIG
 High side pressure \pm 5 PSIG

Tables are based upon rated CFM (airflow) across the evaporator coil. If there is any doubt as to correct operating charge being in the system, the charge should be removed, system evacuated, and recharged to serial plate instructions.

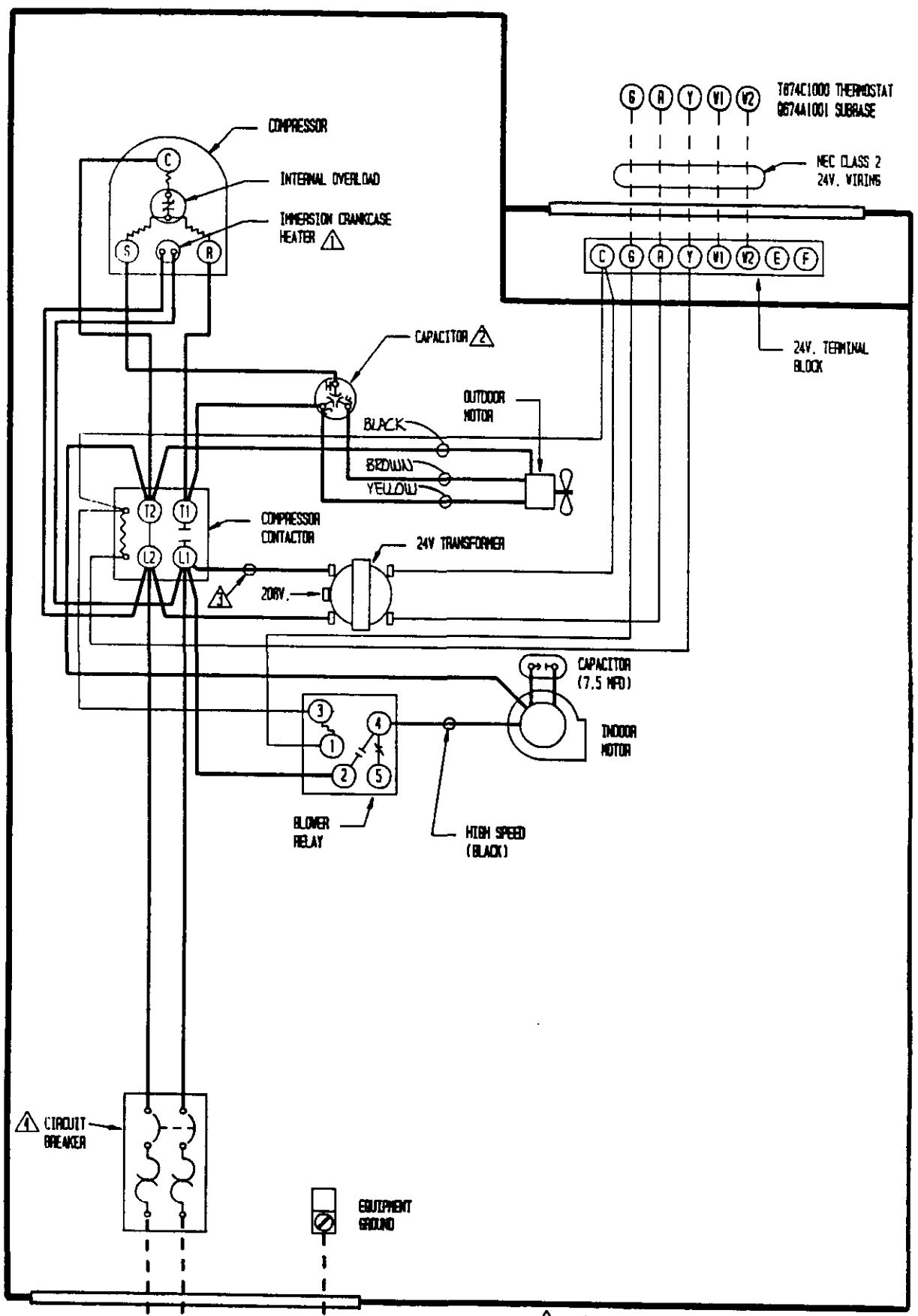


230/208-60-1

	FACTORY WIRING	FIELD WIRING
Low Voltage	————	-----
High Voltage	————	-----

USE COPPER CONDUCTORS ONLY

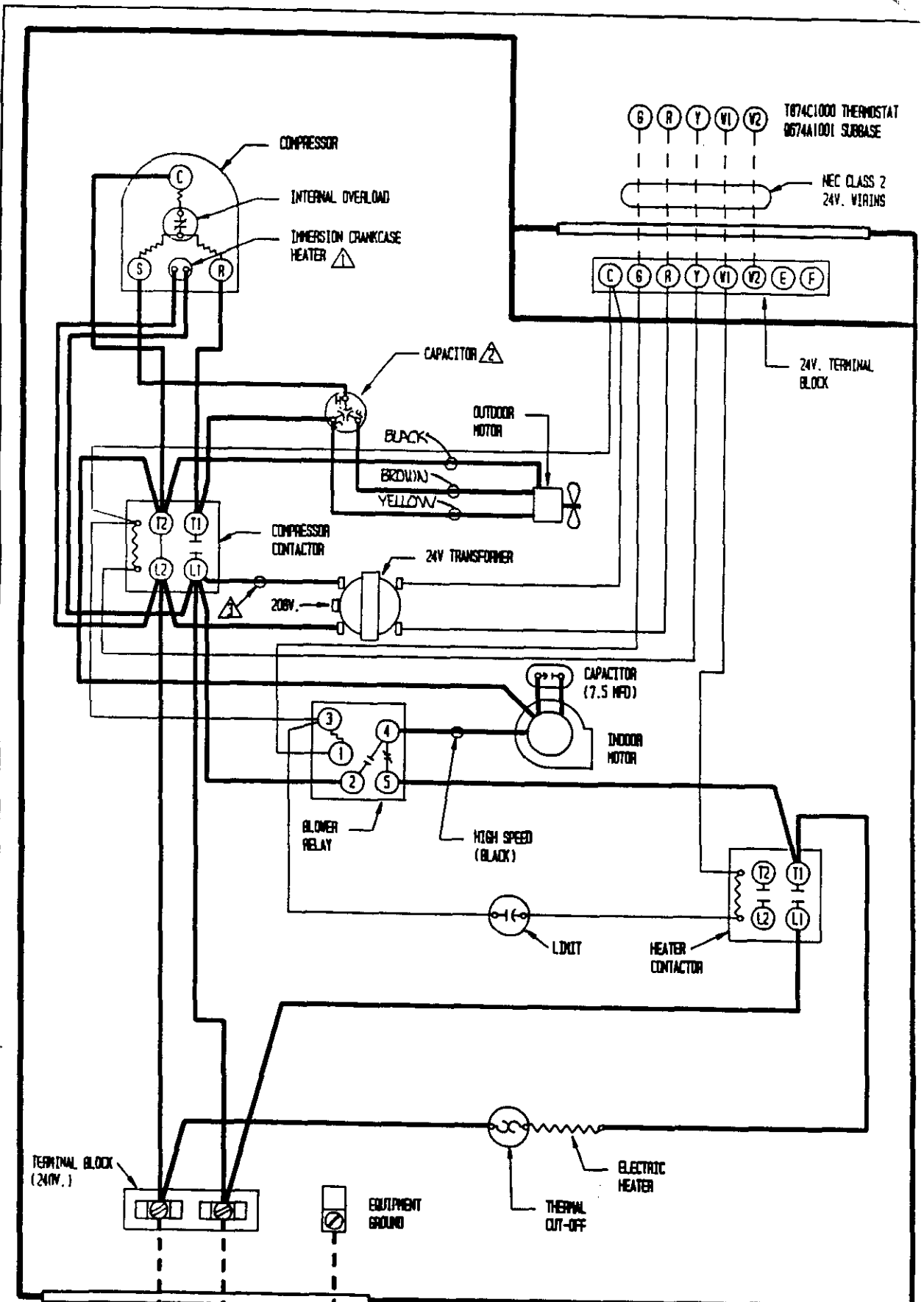
- ⚠ USED ON MAC30 MODELS ONLY.
- ⚠ MAC30 : 35/5 - 370
- ⚠ MAC36 : 35/5 - 440
- ⚠ FOR 208V. OPERATION MOVE THIS WIRE TO 208V. TRANSFORMER TAP.



	FACTORY WIRING	FIELD WIRING
Low Voltage	—————	- - - - -
High Voltage	—————	- - - - -

USE COPPER OR ALUMINUM WIRE

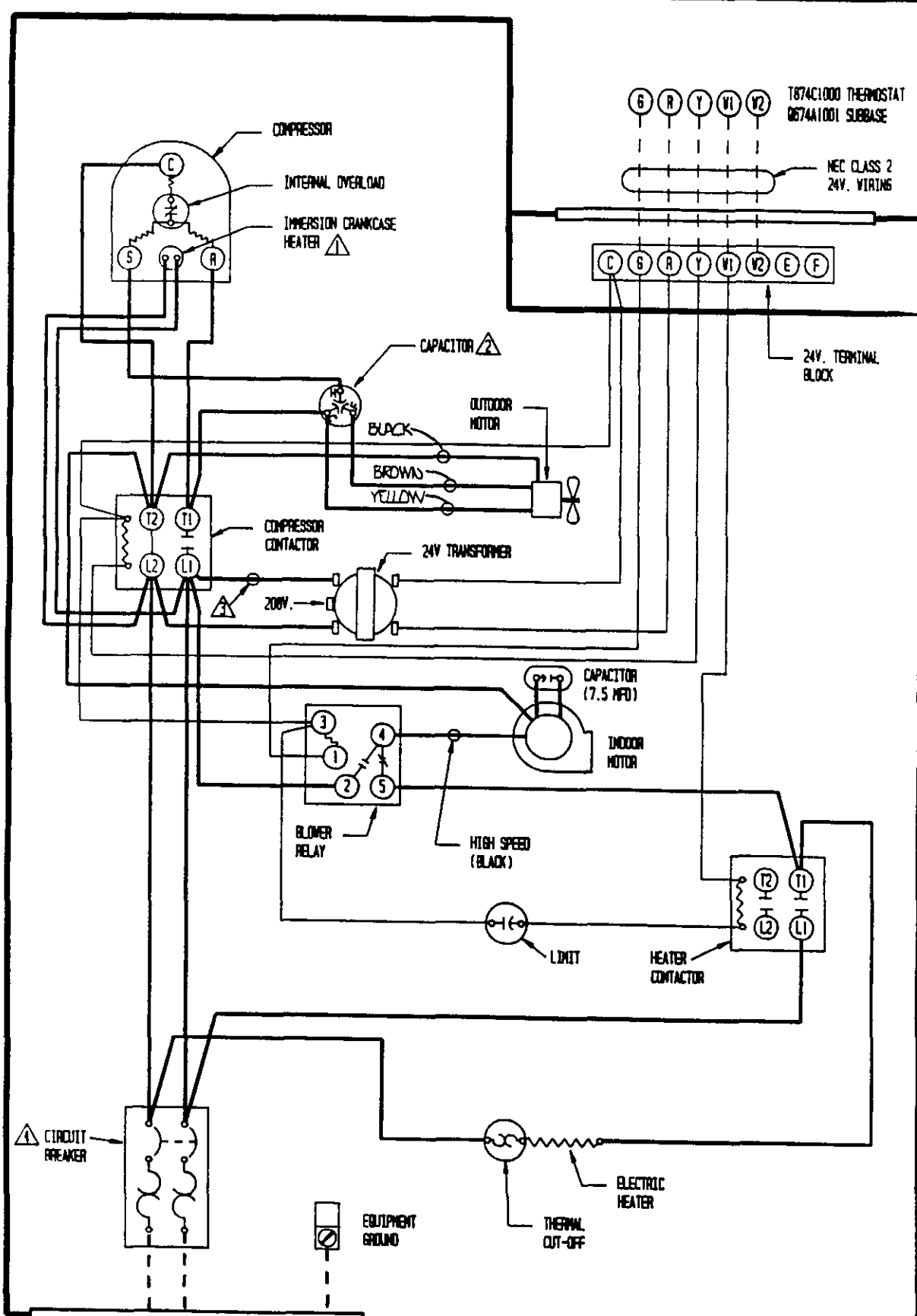
- ⚠ USED ON HMC30 MODELS ONLY.
- ⚠ HMC30 : 35/5 - 370
- ⚠ HMC36 : 35/5 - 440
- ⚠ FOR 200V. OPERATION MOVE THIS WIRE TO 200V. TRANSFORMER TAP.
- ⚠ HMC30 : 35A
- ⚠ HMC36 : 50A



⚠️ USED ON HAC30 MODELS ONLY.
 ⚠️ HAC30 : 35/5 - 370
 HAC36 : 35/5 - 440
 ⚠️ FOR 208V. OPERATION MOVE THIS WIRE TO 208V. TRANSFORMER TAP.

	FACTORY WIRING	FIELD WIRING
Low Voltage	—————	- - - - -
High Voltage	—————	—————

USE COPPER OR ALUMINUM WIRE

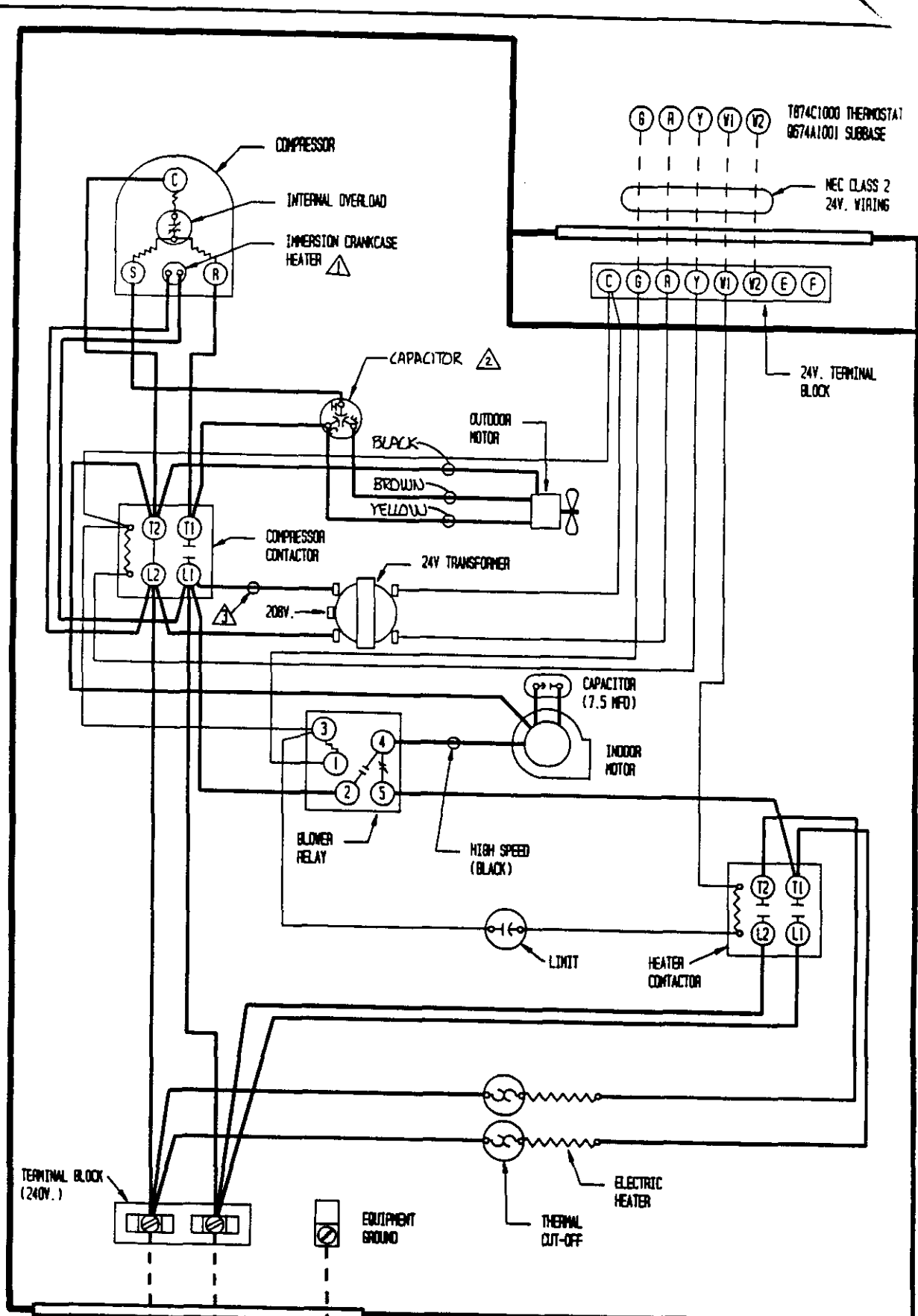


230/208-60-1

▲ USED ON MAC30 MODELS ONLY.
 ▲ MAC30 : 35/5 - 370
 MAC36 : 35/5 - 440
 ▲ FOR 208V. OPERATION MOVE THIS WIRE TO 208V. TRANSFORMER TAP.
 ▲ MAC30 : 35A
 MAC36 : 50A

Low Voltage	FACTORY WIRING	FIELD WIRING
High Voltage	—————	-----

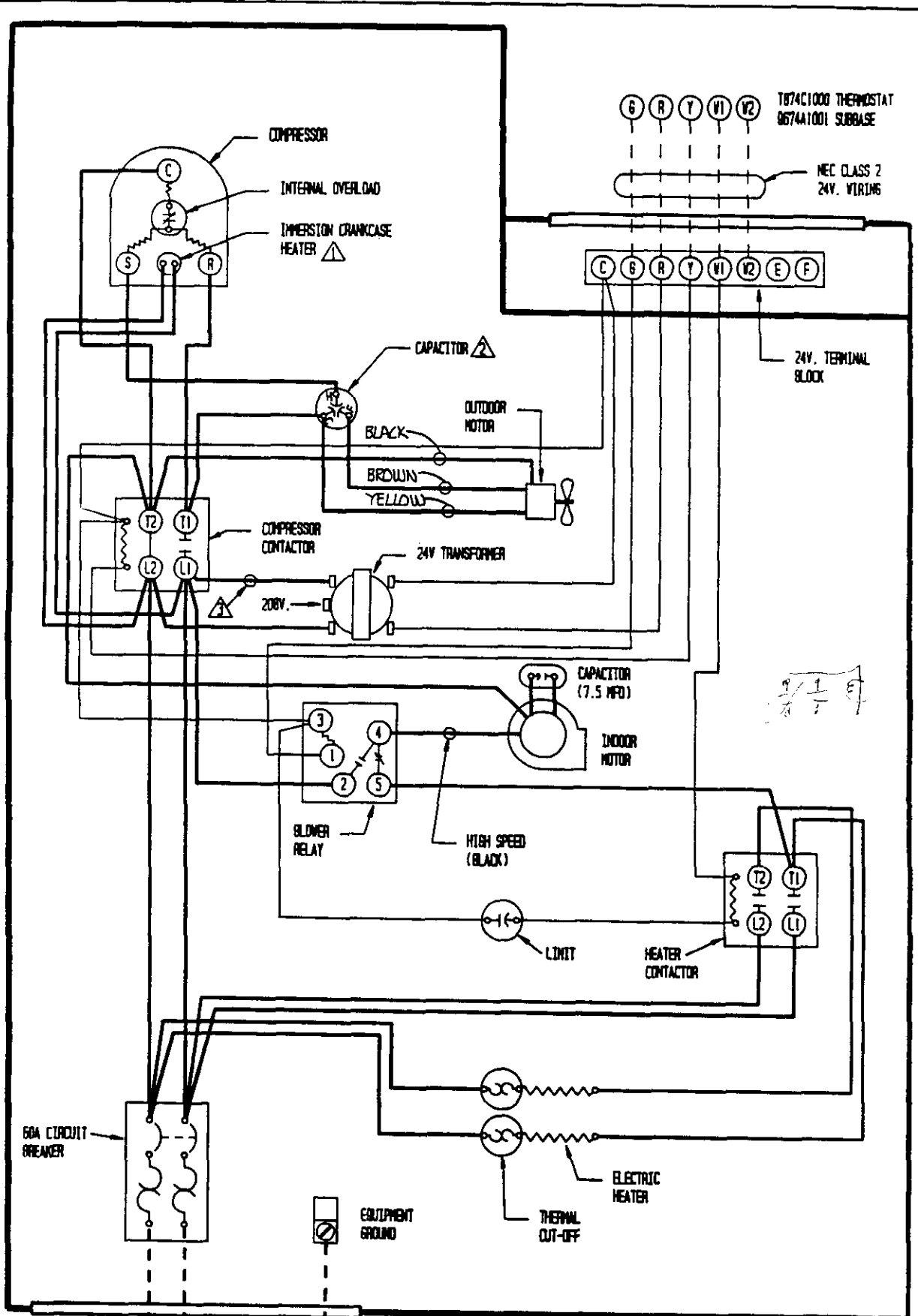
USE COPPER OR ALUMINUM WIRE



⚠️ USED ON MAC30 MODELS ONLY.
 ⚠️ MAC30 : 40/370
 MAC36 : 35/440
 ⚠️ FOR 208V. OPERATION MOVE THIS WIRE TO 208V. TRANSFORMER TAP.

	FACTORY WIRING	FIELD WIRING	USE COPPER OR ALUMINUM WIRE
Low Voltage	—————	- - - - -	
High Voltage	—————	- - - - -	

230/208-60-1



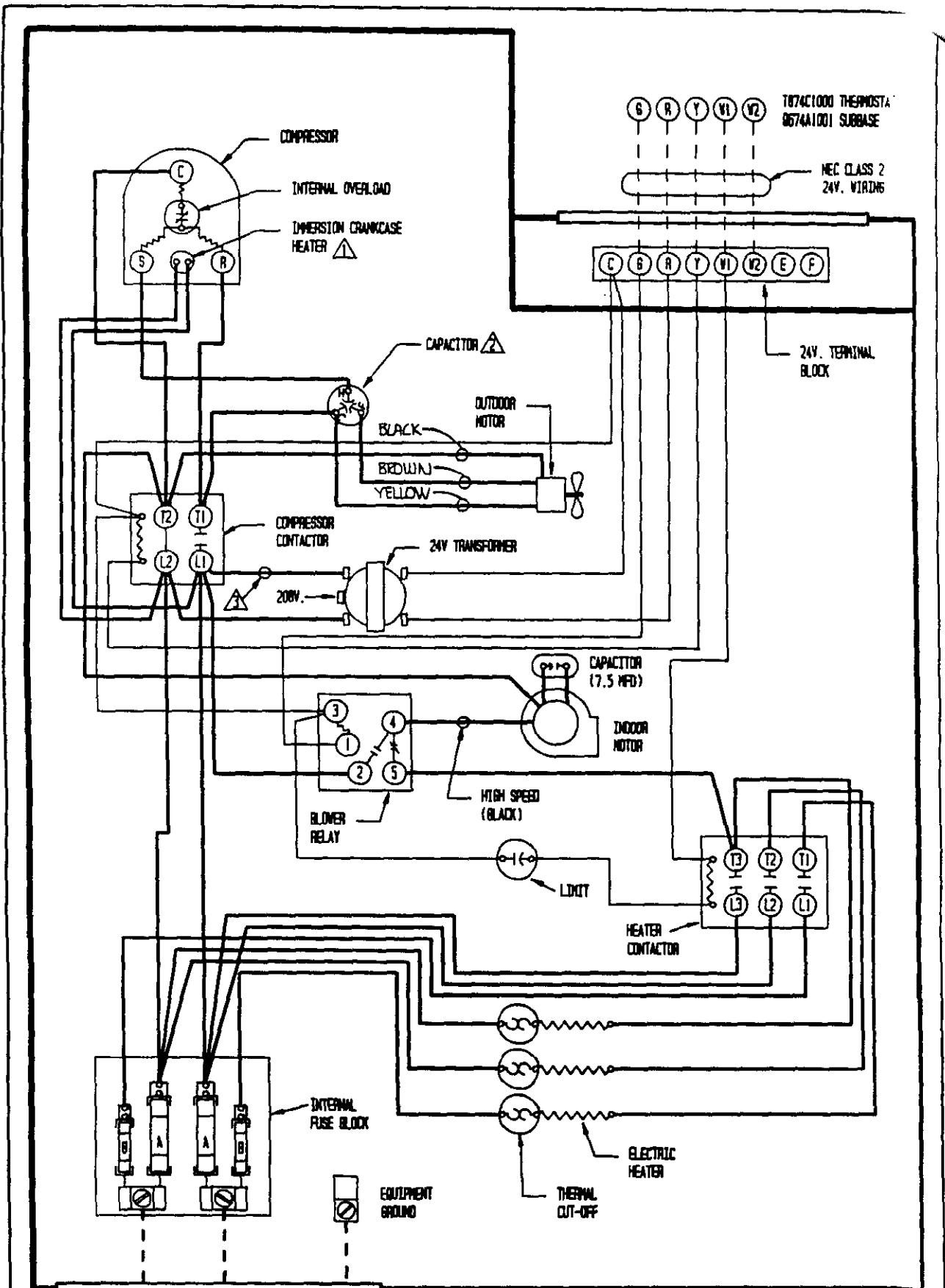
230/208-60-1

▲ USED ON MAC30 MODELS ONLY.
 ▲ MAC30 : 35/5 - 370
 MAC36 : 35/5 - 440
 ▲ FOR 208V. OPERATION MOVE THIS WIRE TO 208V. TRANSFORMER TAP.

Low Voltage	FACTORY WIRING	FIELD WIRING
High Voltage	—————	-----

USE COPPER OR ALUMINUM WIRE

4081-135



230/208-60-1

	FACTORY WIRING	FIELD WIRING
Low Voltage	—————	-----
High Voltage	—————	-----

USE COPPER OR ALUMINUM WIRE

- ⚠ USED ON MAC30 MODELS ONLY.
- ⚠ MAC30 : 35/5 - 370
- ⚠ MAC36 : 35/5 - 440
- ⚠ FOR 208V. OPERATION MOVE THIS WIRE TO 208V. TRANSFORMER TAP.

NOTE: FUSE A - 50A TIME DELAY
 FUSE B - 30A
 ALL FUSES TYPE K-5

